

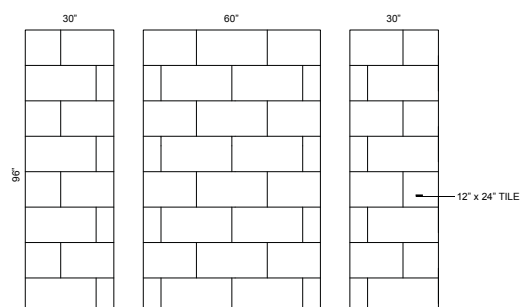


INSTALLATION GUIDE

Standard 3-Piece Cultured Marble Panel Specifications

This installation guide applies to all standard 3-piece panel systems extending to the ceiling where each wall is manufactured in one piece.

3-PIECE PANEL DIMENSIONS:



Architectural Concepts

888.248.2724

720.259.5364

info@archconceptsllc.com

18499 Longs Way, Suite 102
Parker, CO 80134

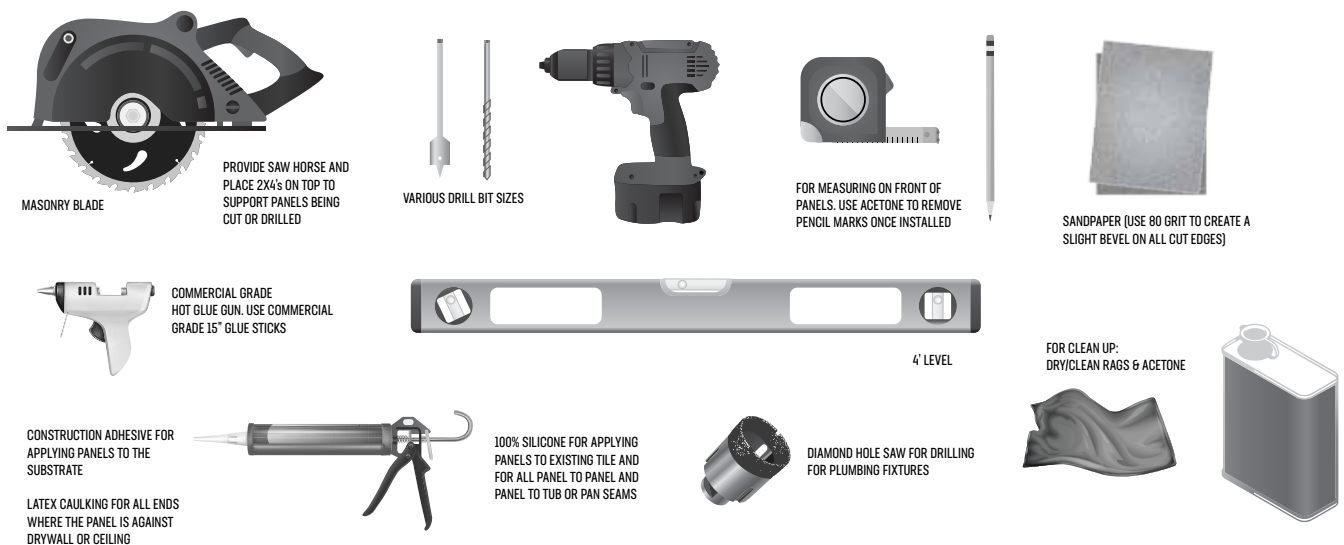
archconceptsllc.com

General Notes

Prior to starting the installation, please read the notes below as they will help plan your installation and avoid unnecessary breakage. Architectural Concepts is not liable for breakage due to mishandling or improper installing.

1. The shower pan should always be set in place, prior to the wall substrate being installed. The shower pans have attached flange to prevent leakage. The wall substrate shall at least cover the thickness of the flange so the panel system remain flush against the wall and prevent the panels to bow out at the bottom. To ensure panels to install properly, provide additional piece of wall substrate if flanges are not completely covered. SEE DETAIL IN STEP 1 FOR ILLUSTRATION.
2. Handling the material in extremely cold temperatures requires extreme caution, as the panels are more fragile in extremely cold temperatures. When possible, store all material in a heated area at least 24 hours prior to being handled for installation.
3. If installing grab bars blocking shall be placed in the desired location prior to the wall substrate being installed. Once panel is installed, all screw holes shall be predrilled through the panel, so the screw can pass freely through the panel and into the blocking. The holes shall be drilled slightly larger than the screw, to avoid any part of the threads coming in contact with the panel. The panels are not designed to support the tension placed on the bar. Tighten all screws with caution as the panels can be cracked or broken if the screw is over tightened.
4. If installing a tile pattern panel system, please follow all instructions closely. The grout joints will not align from panel to panel, unless they are installed exactly as instructed. This is the single item that creates the largest number of customer complaints and requires the purchase of additional material. In ALL cases, where the joints are misaligned, the material was installed in a manner other than the one explained in this installation guide. Generally, panels must be cut on all sides in order to be installed correctly.
5. If planning to install the panel system over existing tile, make sure the tile is free of mold and mildew and that all tiles are still well adhered to the substrate. Follow all standard instructions for cutting and installing, with the exception of the adhesive to be used. When installing against existing tile, use only 100% Silicone. The Silicone will provide better adhesion to the tile than will construction adhesive.

Materials and Tools Needed



Architectural Concepts

888.248.2724 | 720.259.5364 | info@archconceptsllc.com | 18499 Longs Way, Suite 102, Parker, CO 80134 | archconceptsllc.com

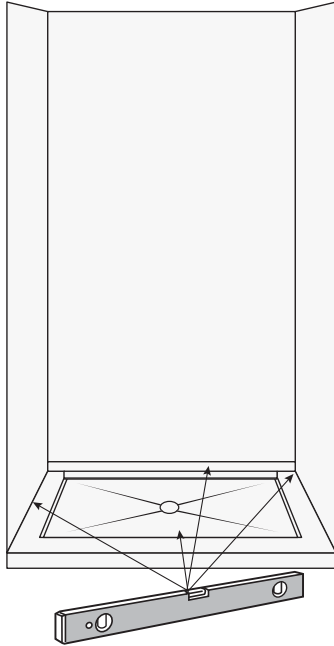
<https://dev.archconceptsllc.com/cultured-marble/>

Page 2 of 7

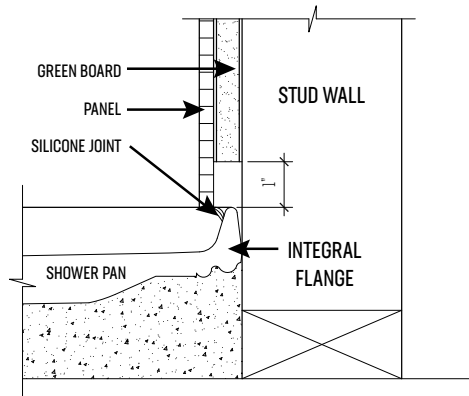
Revised 09-17-18

Some Graphics Provided by Vecteezy and Freepik

1. Level Shower Pan



VERIFY SHOWER PAN IS LEVELED FRONT TO BACK AND SIDE TO SIDE.

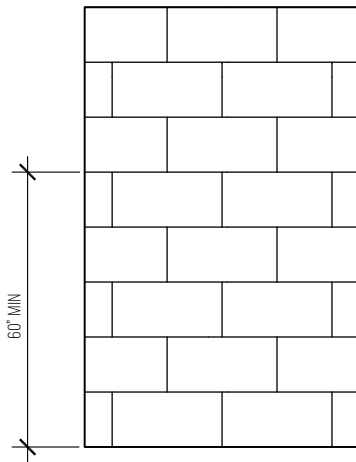


NOTE: SEE GENERAL NOTE #1, PAGE 2 FOR INFORMATION REGARDING INTEGRAL FLANGE.

Max Tolerance is $(\pm 1/4")$

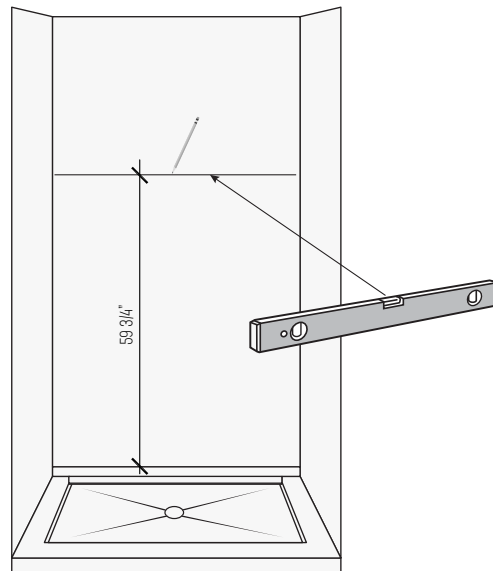
NOTIFY ARCHITECTURAL CONCEPTS IF TOLERANCE IS OVER $1/4"$ OUT OF LEVEL IN ANY DIRECTION

2. Locate Control Lines



LOCATE A HORIZONTAL CONTROL LINE (CL) WHICH WILL BE USED THROUGHOUT THE INSTALLATION TO SURE PANELS FIT AS DESIGNED.

MEASURE FROM THE BOTTOM OF THE BACK PANEL TO THE CENTER OF THE GROUT LINE CLOSEST TO 60". ONCE MEASUREMENT IS MADE, SUBTRACT $1/2"$ FROM THAT MEASUREMENT. $1/2"$ IS FOR ADJUSTMENT.



EXAMPLE:
IF GROUT LINE MEASUREMENT IS $60 1/4"$, THEN SUBTRACT $1/2"$. THIS WILL GIVE A MEASUREMENT OF $59 3/4"$ TO PLACE A MARK ON THE WALL.

ONCE A MARK IS PLACED, USE THE LEVEL TO DRAW A LEVEL LINE ACROSS THE BACK WALL. THIS LINE WILL BE THE CONTROL LINE (CL)



Architectural Concepts

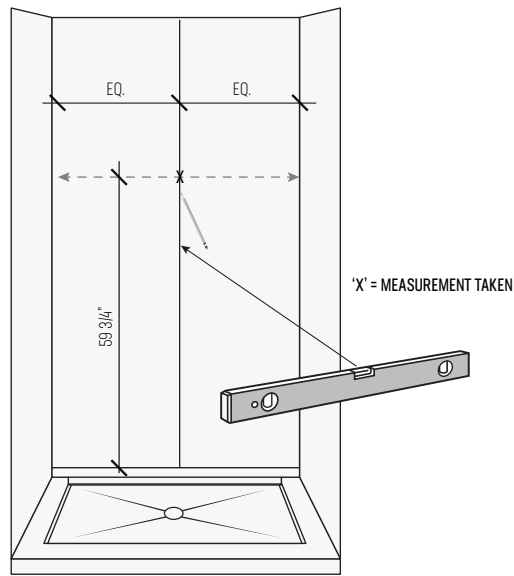
888.248.2724 | 720.259.5364 | info@archconceptsllc.com | 18499 Longs Way, Suite 102, Parker, CO 80134 | archconceptsllc.com

https://dev.archconceptsllc.com/cultured-marble/

Page 3 of 7

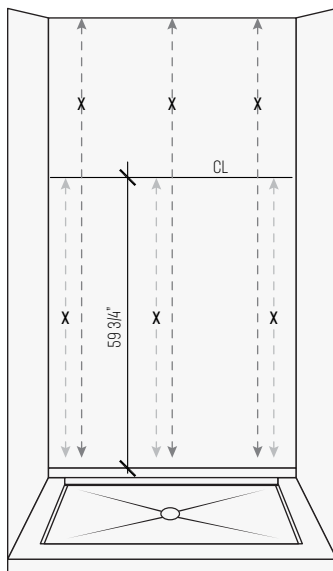
Revised 09-17-18

3. Locate Vertical CL

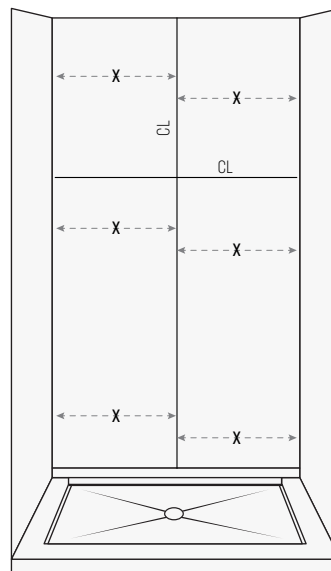


LOCATE THE VERTICAL LINE BY MEASURING FROM THE SAME HEIGHT AS THE HORIZONTAL CL TO THE CENTER OF THE BACK WALL FROM LEFT TO RIGHT AND MARK THE CENTER. USE THE LEVEL AND DRAW A PLUM LINE DOWN THE CENTER OF THE WALL FROM TOP OF PAN TO THE CEILING. THIS CL WILL ESTABLISH WHERE THE SIDE PANELS WILL END.

4. Fitting Back Panel



USING THE CL AS THE GUIDE, MEASURE FROM THE TOP OF THE SHOWER PAN UP TO THE CL ON THE BACK WALL ON THE LEFT SIDE, RIGHT SIDE, AND MIDDLE. ALSO, MEASURE FROM THE TOP OF THE SHOWER PAN TO THE CEILING IN THE SAME THREE LOCATIONS.



USE THE VERTICAL CL TO LOCATE THE WIDTH. MEASURE FROM THE TOP, BOTTOM, AND MIDDLE, ON BOTH THE LEFT SIDE AND THE RIGHT SIDE OF THE VERTICAL CL.



Architectural Concepts

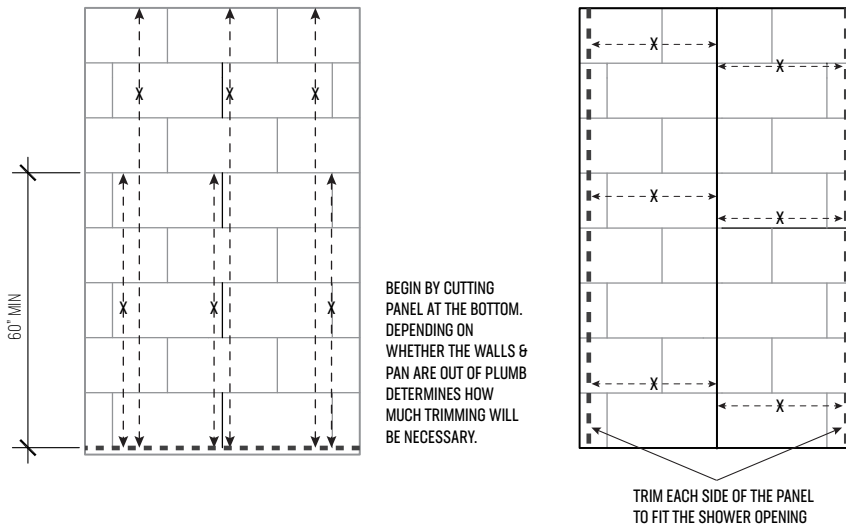
888.248.2724 | 720.259.5364 | info@archconceptsllc.com | 18499 Longs Way, Suite 102, Parker, CO 80134 | archconceptsllc.com

<https://dev.archconceptsllc.com/cultured-marble/>

Page 4 of 7

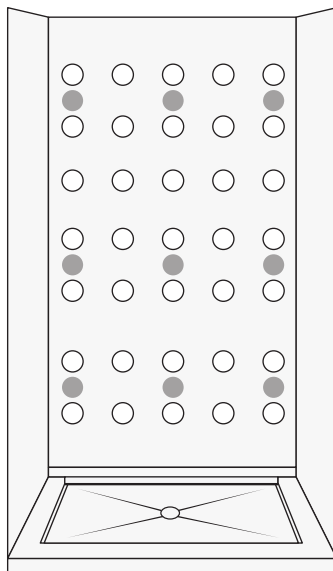
Revised 09-17-18

5. Cut the Back Panel

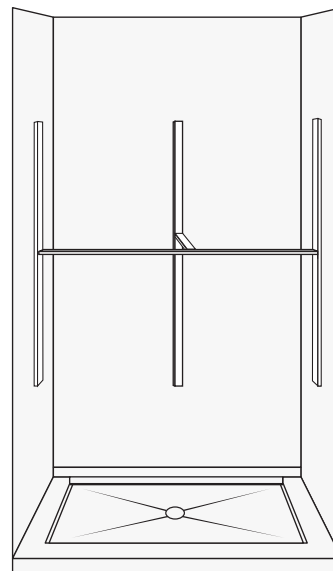


TRANSFER THE MEASUREMENTS FROM STEP 4 TO THE FRONT SIDE OF THE BACK PANEL. USE THE GROUT LINE WHERE THE CL LINE WAS OBTAINED IN STEP 2 THAT MEASURES CLOSEST TO 60" AS IT WILL BE EASY TO TRANSFER ALL ESTABLISHED POINTS USING THIS GROUT LINE AS THE CL. FIRST, MEASURE FROM THE CL DOWN AND PLACE A MARK AT EACH ESTABLISHED POINT. THEN TAKE A STRAIGHT EDGE AND PENCIL TO CONNECT THE DOTS. THEN MEASURE FROM THE LINE JUST CREATED (AND NOT FROM THE BOTTOM OF THE PANEL) UP TO THE TOP OF THE PANEL AND PLACE A MARK AT EACH ESTABLISHED POINT. THEN TAKE A STRAIGHT EDGE AND PENCIL TO CONNECT THE DOTS. ONCE ALL MEASUREMENTS ARE ESTABLISHED, CHECK ALL MEASUREMENTS. ONCE ALL MEASUREMENTS ARE VERIFIED TO BE CORRECT AND TRANSFERRED CORRECTLY, BEGIN CUTTING THE PANEL. TO CUT THE PANEL, FIRST MAKE SURE THE PANEL IS WELL SUPPORTED BY 2X4'S, PLACED ON THE SAW HORSES. ONCE THE PANEL IS SUPPORTED CUT ALONG THE ESTABLISHED LINES USING A CIRCULAR SAW WITH A MASONRY BLADE. IF CUTTING OFF MORE THAN 1/2" OF MATERIAL, MAKE SURE TO SUPPORT THE MATERIAL THAT IS BEING REMOVED TO AVOID THE MATERIAL BREAKING OFF BEFORE THE CUT HAS BEEN COMPLETED. IF THE MATERIAL BREAKS OR SNAPS BEFORE THE CUT IS COMPLETE, IT COULD BREAK INTO THE PANEL, CAUSING THE PANEL TO BE UNUSABLE.

6. Installing Back Panel



- CONSTRUCTION ADHESIVE
- 100% SILICONE



PANEL BRACING

WHEN POSSIBLE, DRY FIT THE PANELS TO MAKE SURE OF A PROPER FIT, BEFORE APPLYING ADHESIVE TO THE WALL. ONCE A CONFIRM FIT, WIPE DOWN BOTH THE WALL AND BACK, UNFINISHED SIDE OF THE PANEL WITH ACETONE TO MAKE SURE BOTH ARE FREE OF DUST AND DEBRIS. THEN APPLY A GENEROUS AMOUNT OF ADHESIVE IN HEAVY CIRCLES AS ILLUSTRATED. IF USING LARGE TUBES, THE BACK WALL SHOULD REQUIRE 1 AND EACH SIDEWALL SHOULD REQUIRE 1/2 TUBE OF ADHESIVE EACH. THE AMOUNT OF ADHESIVE SUGGESTED IS BASED ON A NORMAL INSTALLATION WITH SMOOTH, FLAT WALLS. SITE CONDITIONS COULD REQUIRE ADDITIONAL ADHESIVE. ONCE THE ADHESIVE IS APPLIED TO THE WALL, PUT THE PANEL IN PLACE, FIRMLY PRESSING INTO THE WALL TO DISTRIBUTE THE ADHESIVE. ONCE THE PANEL IS INSTALLED, ADD BRACING IN PLACE AS ILLUSTRATED, OR WHERE NECESSARY, TO FIRMLY HOLD THE PANEL IN PLACE, ALLOWING THE ADHESIVE TO DRY.



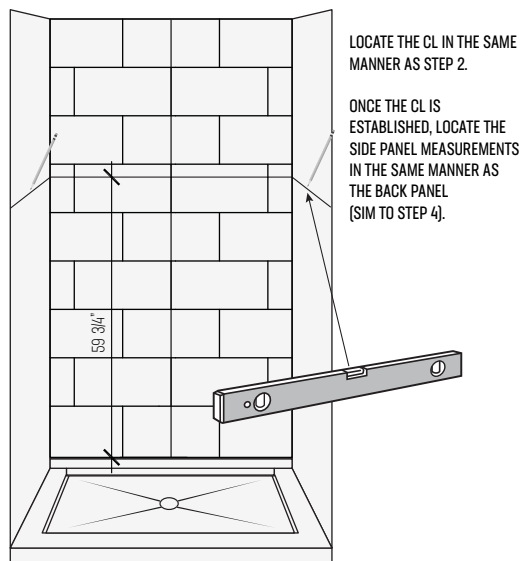
Architectural Concepts

888.248.2724 | 720.259.5364 | info@archconceptsllc.com | 18499 Longs Way, Suite 102, Parker, CO 80134 | archconceptsllc.com

<https://dev.archconceptsllc.com/cultured-marble/>

Page 5 of 7 Revised 09-17-18

7. CL for Side Panel

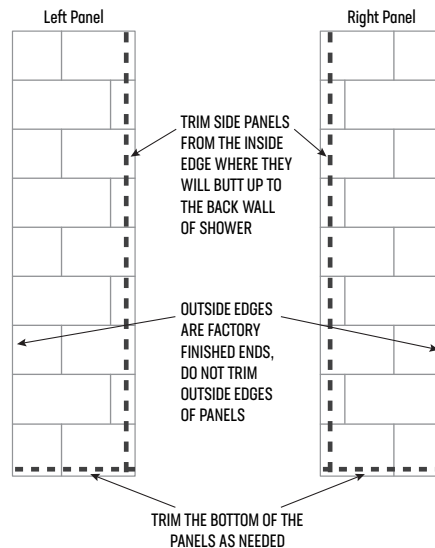


LOCATE THE CL IN THE SAME MANNER AS STEP 2.

ONCE THE CL IS ESTABLISHED, LOCATE THE SIDE PANEL MEASUREMENTS IN THE SAME MANNER AS THE BACK PANEL (SIM TO STEP 4).

NOTE:
IF INSTALLING TRIM, INSTALL BEFORE INSTALLING SIDE PANELS. INSTALL TRIM, USING 100% SILICONE AND HOT GLUE. MAKE SURE TRIM IS LEVEL, MEASURING FROM TOPS OF THE PANELS TO THE FLOOR (IF APPLICABLE)

8. Cut the Side Panel

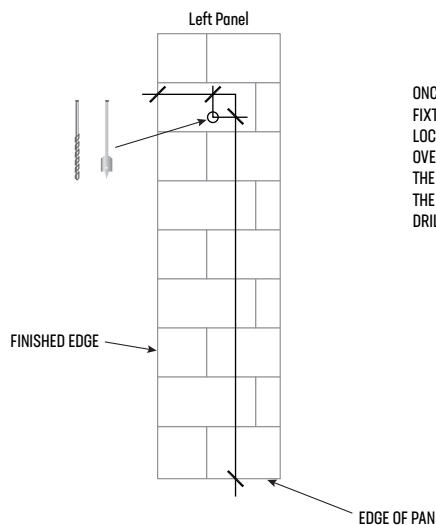


TRIM SIDE PANELS FROM THE INSIDE EDGE WHERE THEY WILL BUTT UP TO THE BACK WALL OF SHOWER

OUTSIDE EDGES ARE FACTORY FINISHED ENDS, DO NOT TRIM OUTSIDE EDGES OF PANELS

TRIM THE BOTTOM OF THE PANELS AS NEEDED

9. Drill Holes for Plumbing



ONCE THE PANELS HAVE BEEN CUT TO FIT, BEGIN LOCATING ALL PLUMBING FIXTURES AND DRILL THE CORRESPONDING HOLES IN THE PANEL. TO LOCATE THESE HOLES, MEASURE UP FROM THE EDGE OF THE PAN, AND OVER FROM THE FINISHED EDGE OF THE SIDE PANEL, TO THE CENTER OF THE INSTALLED FIXTURE AND TRANSFER THOSE MEASUREMENT ONTO THE PANEL. DETERMINE THE SIZE HOLE TO BE DRILLED AND CAREFULLY DRILL THE HOLE IN THE SPECIFIED LOCATION.

NOTE: DO NOT PUT EXTREME PRESSURE ON THE DRILL, AS THE PANEL MAY BREAK WHEN THE BIT COMPLETES THE HOLE. TYPICALLY, IT IS REQUIRED TO DRILL ONE HOLE FOR THE SHOWER CONTROL VALVE AND ONE HOLE FOR THE SHOWERHEAD.



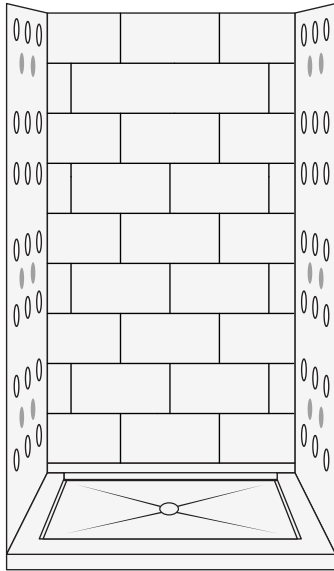
Architectural Concepts

888.248.2724 | 720.259.5364 | info@archconceptsllc.com | 18499 Longs Way, Suite 102, Parker, CO 80134 | archconceptsllc.com

<https://dev.archconceptsllc.com/cultured-marble/>

Page 6 of 7 Revised 09-17-18

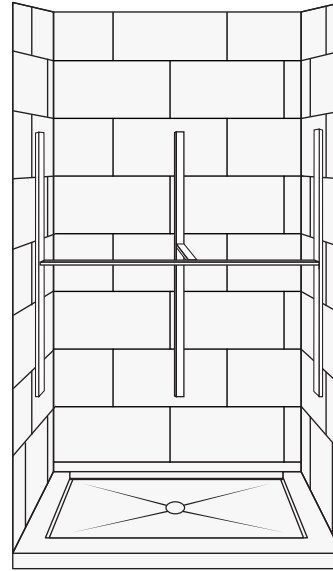
10. Installing Side Panel



- CONSTRUCTION ADHESIVE
- 100% SILICONE

THE SIDE PANELS WILL INSTALL IN THE SAME METHOD USED TO INSTALL THE BACK PANEL.

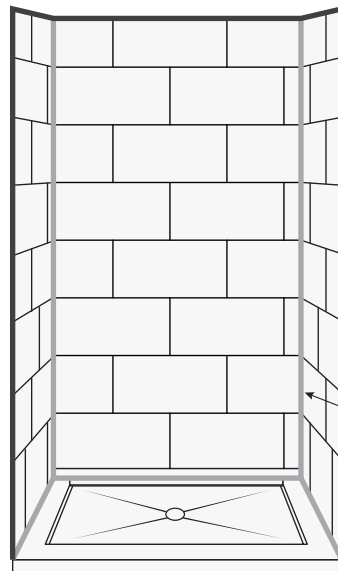
REFER TO STEP 6 FOR INSTRUCTIONS.



PANEL BRACING

ONCE ALL PANELS HAVE BEEN INSTALLED, THEY SHOULD BE BRACED AS ILLUSTRATED, OR WHERE NECESSARY, TO MAKE SURE THE PANELS REMAIN IN PLACE WHILE THE ADHESIVE CURES. WHILE THIS ILLUSTRATION SHOWS SIMPLE BRACING, ADDITIONAL BRACING MAY BE REQUIRED BASED ON JOB SITE WALL CONDITIONS. WHILE THE BRACES SHOULD HOLD FIRMLY AGAINST THE PANELS, EXCESSIVE PRESSURE COULD DAMAGE OR CRACK THE PANELS. USE CAUTION WHEN PLACING THE BRACING.

11. Caulk Joints



AFTER THE ADHESIVE HAS HAD TIME TO DRY (24 HOURS), REMOVE THE BRACING AND CAULK ALL OF THE JOINTS WHERE MARBLE TOUCHES MARBLE WITH 100% SILICONE THAT CLOSELY MATCHES THE COLOR OF THE MARBLE. CAULK THE CAST MARBLE PANEL TO THE SUBSTRATE WITH PAINTABLE LATEX CAULK.

100% SILICONE

PAINTABLE CAULK



Architectural Concepts

888.248.2724 | 720.259.5364 | info@archconceptsllc.com | 18499 Longs Way, Suite 102, Parker, CO 80134 | archconceptsllc.com

<https://dev.archconceptsllc.com/cultured-marble/>

Page 7 of 7

Revised 09-17-18