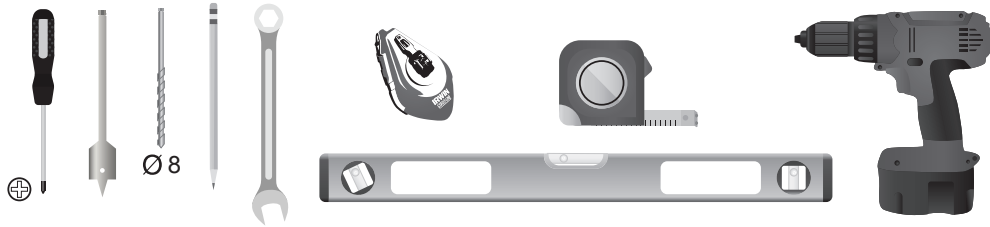


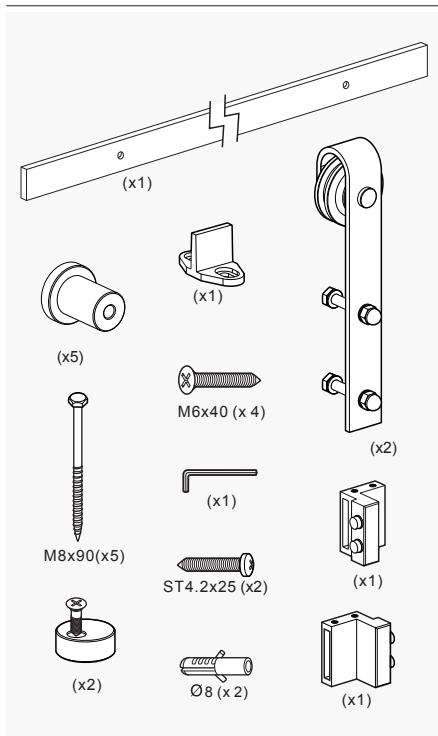


# AC8000-B SERIES BARN DOOR INSTALLATION

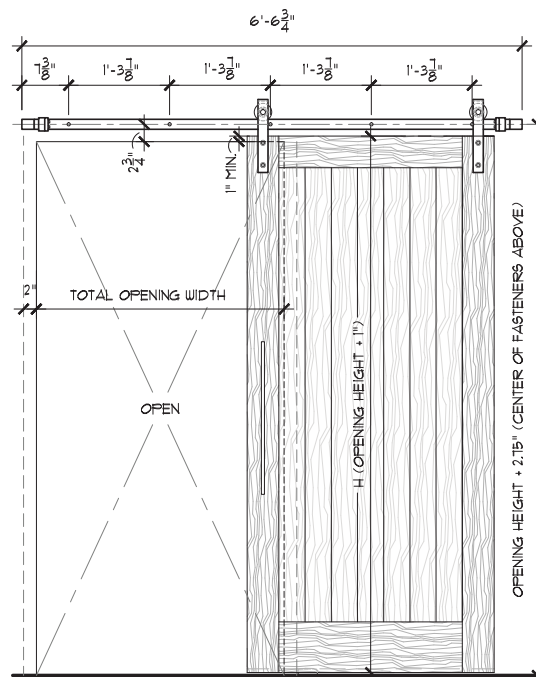
## TOOLS REQUIRED



## MATERIALS PROVIDED



## DIMENSIONS



## Architectural Concepts

O. 888.248.2724

D. 720.259.5364

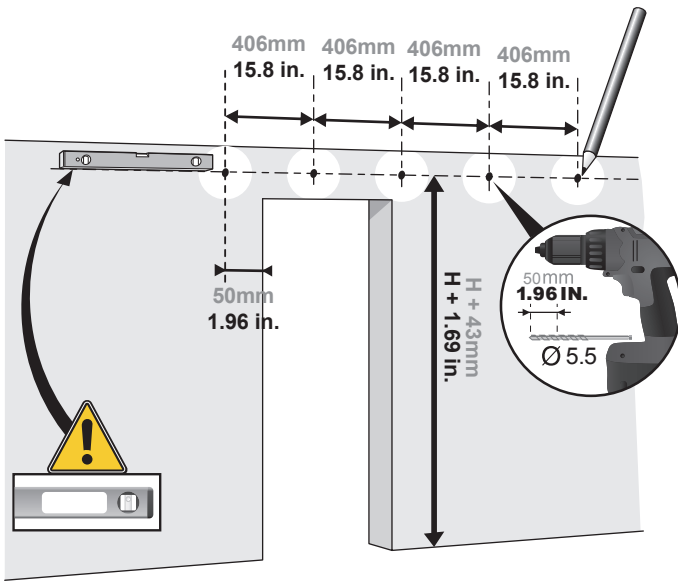
E. [info@archconceptsllc.com](mailto:info@archconceptsllc.com)

18499 Longs Way, Suite 102  
Parker, CO 80134

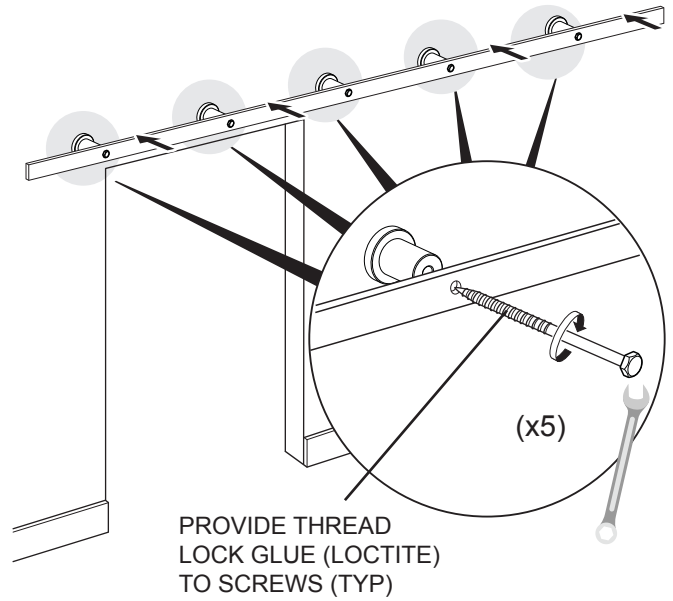
[archconceptsllc.com](http://archconceptsllc.com)

# AC8000-B Barn Door Installation

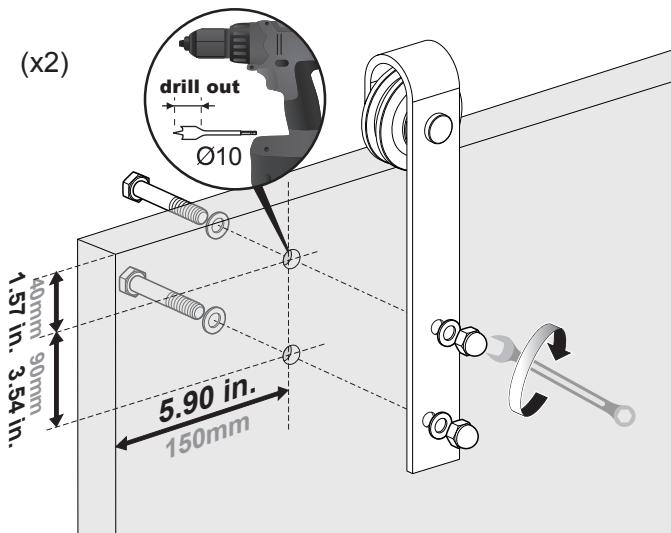
## STEP 1



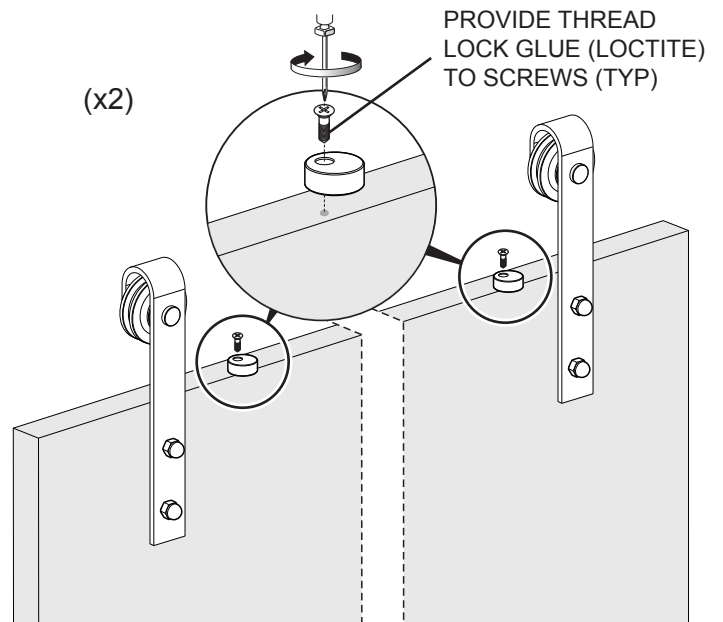
## STEP 2



## STEP 3



## STEP 4



**Architectural Concepts**

888.248.2724 | 720.259.5364 | info@archconceptsllc.com | 18499 Longs Way, Suite 102, Parker, CO 80134 | archconceptsllc.com

<https://archconceptsllc.com/products/doors/hardware/sliding-barn-door/>

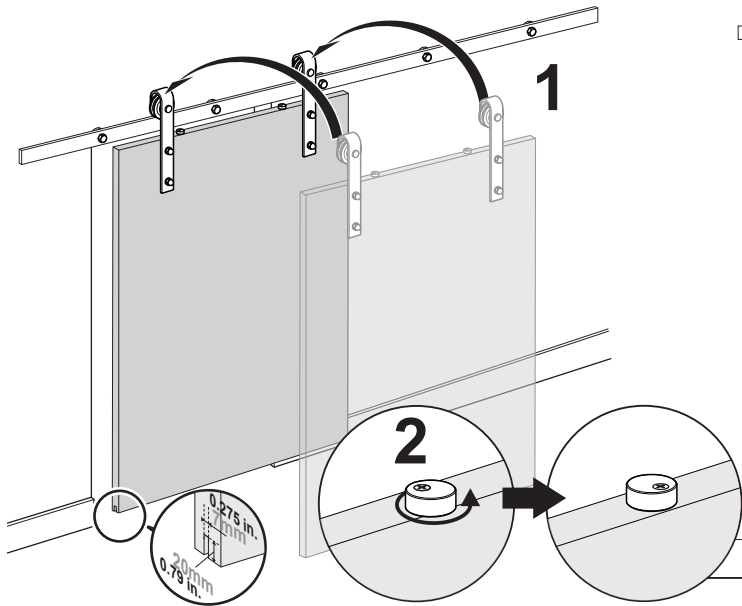
Page 2 of 3

Revised 11-09-18

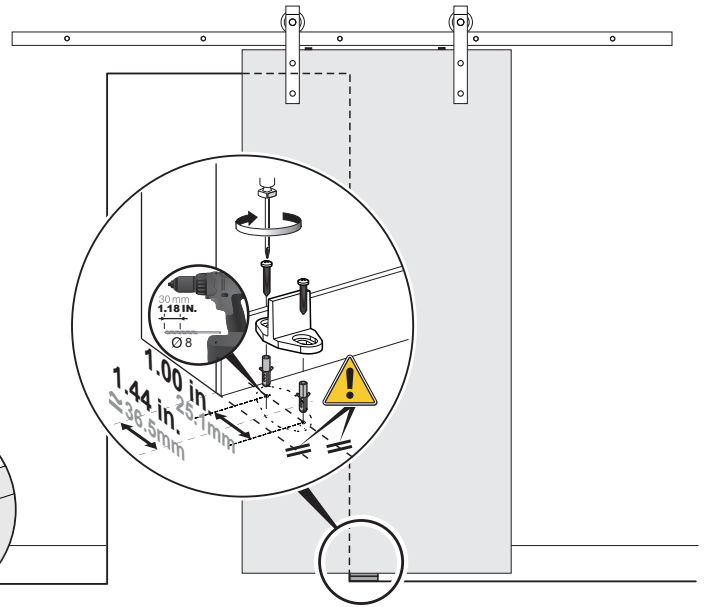
Some Graphics Provided by Vecteezy and Freepik

# AC8000-B Barn Door Installation

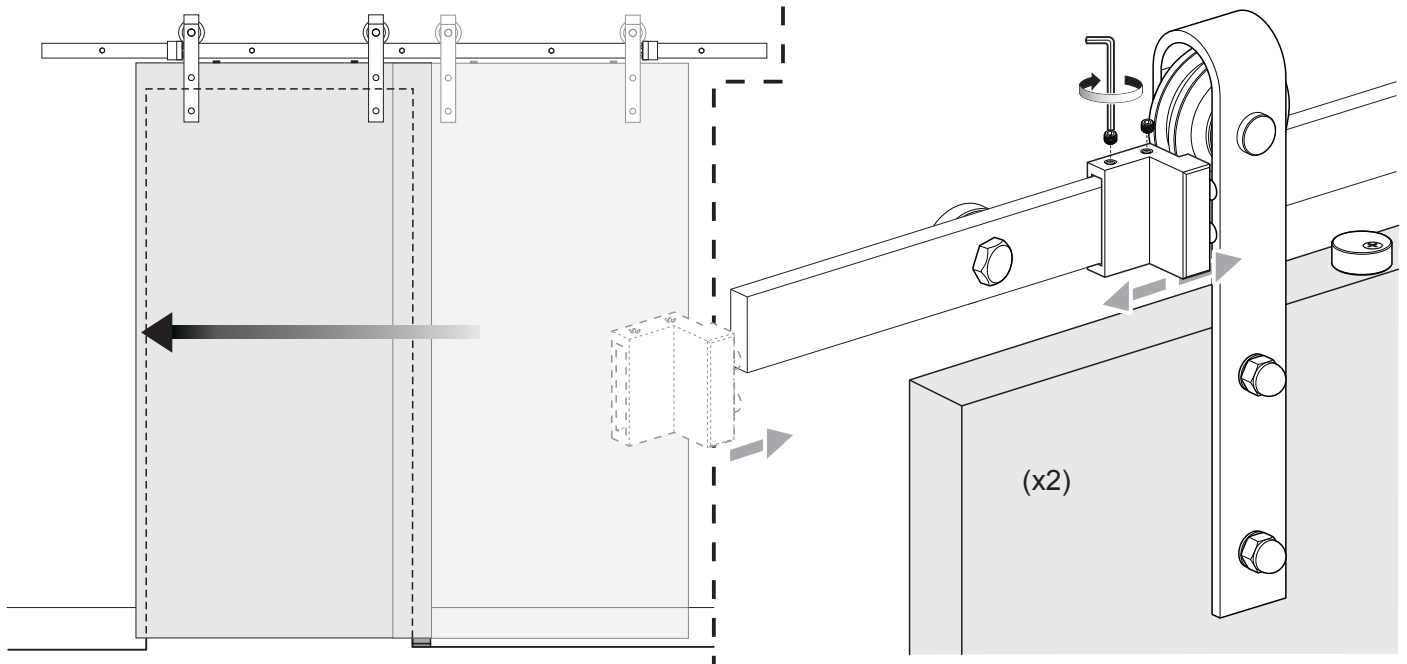
## STEP 5



## STEP 6



## STEP 7



**Architectural Concepts**

888.248.2724 | 720.259.5364 | [info@archconceptsllc.com](mailto:info@archconceptsllc.com) | 18499 Longs Way, Suite 102, Parker, CO 80134 | [archconceptsllc.com](http://archconceptsllc.com)

<https://archconceptsllc.com/products/doors/hardware/sliding-barn-door/>

Page 3 of 3

Revised 11-09-18

Some Graphics Provided by Vecteezy and Freepik