



AC5000 Series

Barn Door Hardware

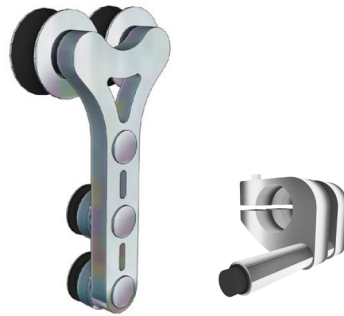
OPTIONS



Model: AC5000-A
Description: Face Mounted Trolley
Finish: Stainless Steel



Model: AC5000-B
Description: Face Mounted Trolley
Finish: Stainless Steel



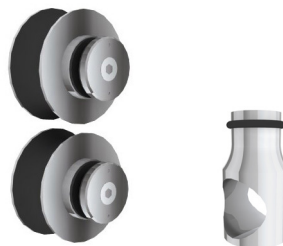
Model: AC5000-C
Description: Face Mounted Trolley
Finish: Stainless Steel



Model: AC5000-D
Description: Face Mounted Trolley
Finish: Stainless Steel



Model: AC5000-E
Description: Face Mounted Trolley
Finish: Stainless Steel



Model: AC5000-F
Description: Face Mounted Trolley
Finish: Stainless Steel

AC5000-A

Architectural Concepts

(888) 248 2724
(720) 259 5364
info@archconceptsllc.com

18505 Longs Way
Parker, CO 80134

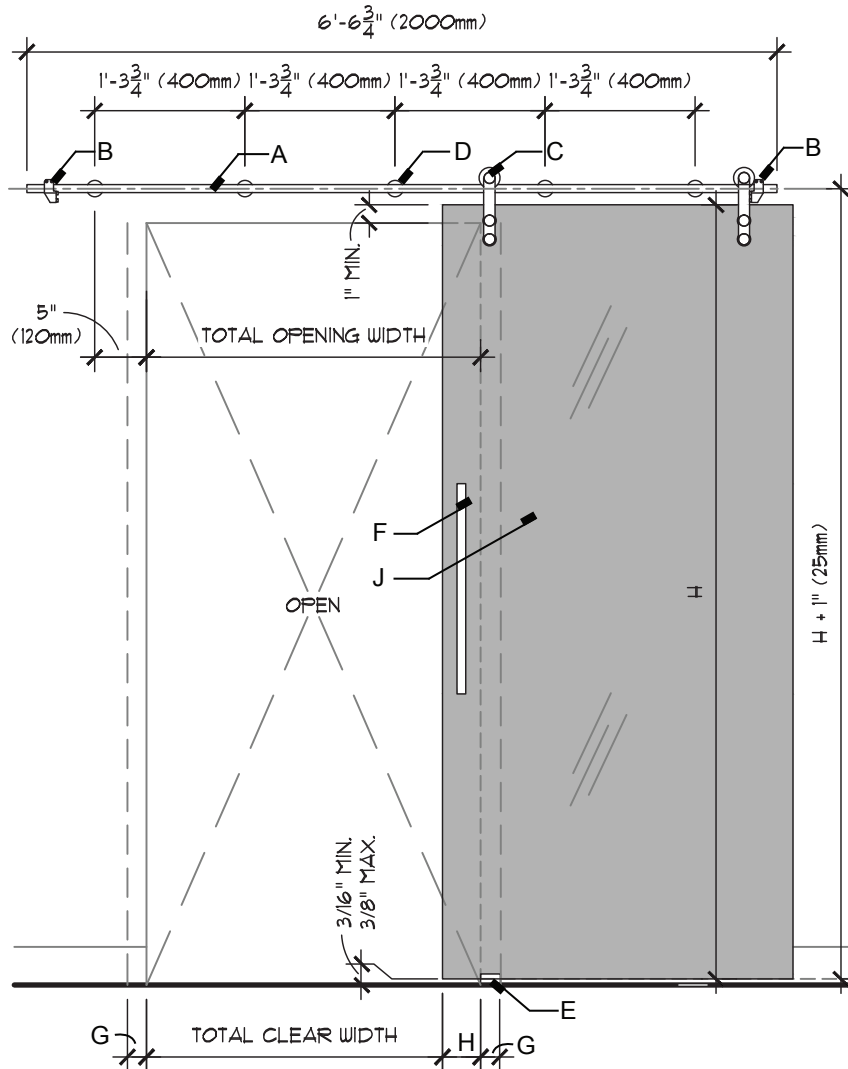
archconceptsllc.com

OPTIONAL PULLS *(not part of AC5000)*

See Catalog for options at <https://www.archconceptsllc.com/products/doors/hardware/pulls/>

AC5000-A

Barn Door



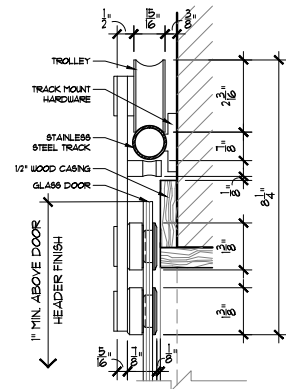
KEYNOTES:

- A. Stainless steel track
- B. Door stop
- C. Trolley hardware
- D. Track mount hardware
- E. Floor guide
- F. Pull handle
- G. 2" side of door overlap at closed position
- H. 4" side of door overlap at open position
- J. Glass door

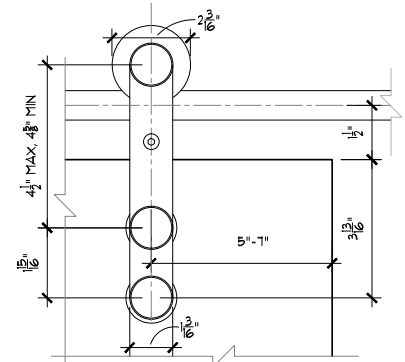
NOTES:

1. All measurements must be field verified by Architectural Concepts or by G.C.
2. Please follow care and handling instructions for doors and hardware.
3. AC will submit drawings for approval before ordering any material.
4. Layout and configuration can be customized to customer's need.

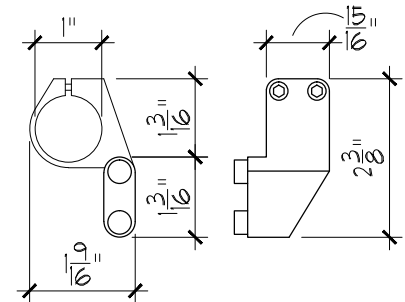
ELEVATION



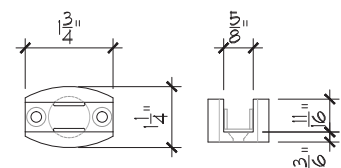
HANGER



DOOR STOP



FLOOR MOUNT



Architectural Concepts

(888) 248 2724 | (720) 259 5364 | info@archconceptsllc.com | 18505 Longs Way, Parker, CO 80134 | archconceptsllc.com

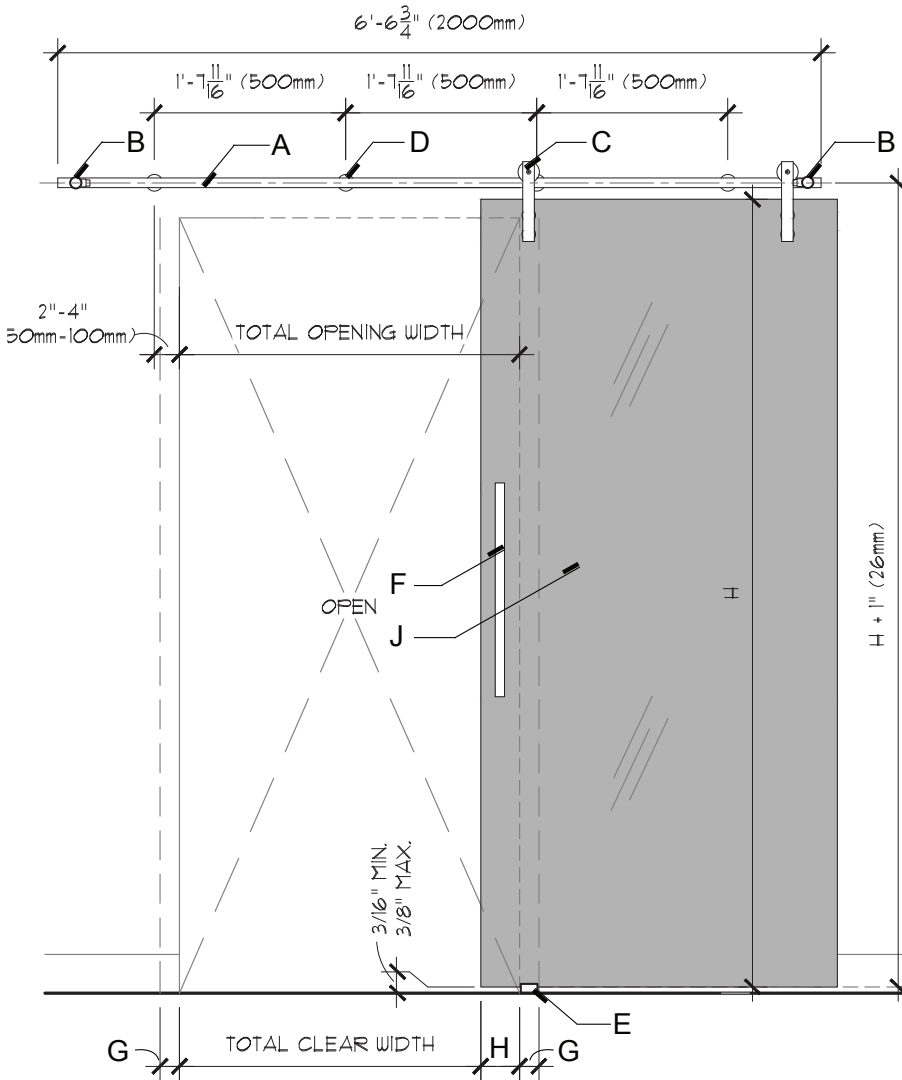
<https://www.archconceptsllc.com/products/doors/hardware/sliding-barn-door/>

Page 2 of 7

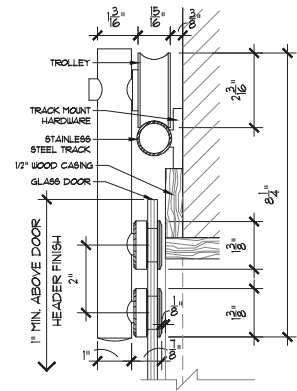
Revised 06-10-22

AC5000-B

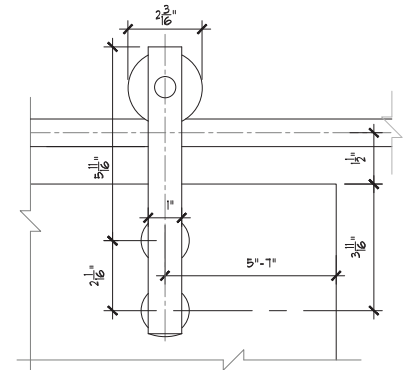
Barn Door



ELEVATION

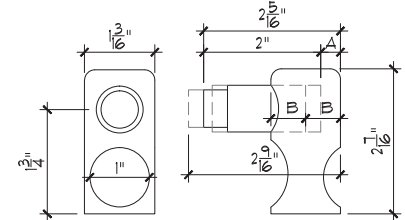


HANGER

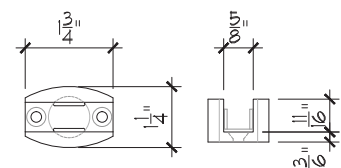


DOOR STOP

- A- 5/16" (FULL TIGHTEN POSITION)
- B- 9/16" (EQUAL DISTANCE)



FLOOR MOUNT



KEYNOTES:

- A. Stainless steel track
- B. Door stop
- C. Trolley hardware
- D. Track mount hardware
- E. Floor guide
- F. Pull handle
- G. 2" side of door overlap at closed position
- H. 4" side of door overlap at open position
- J. Glass door

NOTES:

1. All measurements must be field verified by Architectural Concepts or by G.C.
2. Please follow care and handling instructions for doors and hardware.
3. AC will submit drawings for approval before ordering any material.
4. Layout and configuration can be customized to customer's need.



Architectural Concepts

(888) 248 2724 | (720) 259 5364 | info@archconceptsllc.com | 18505 Longs Way, Parker, CO 80134 | archconceptsllc.com

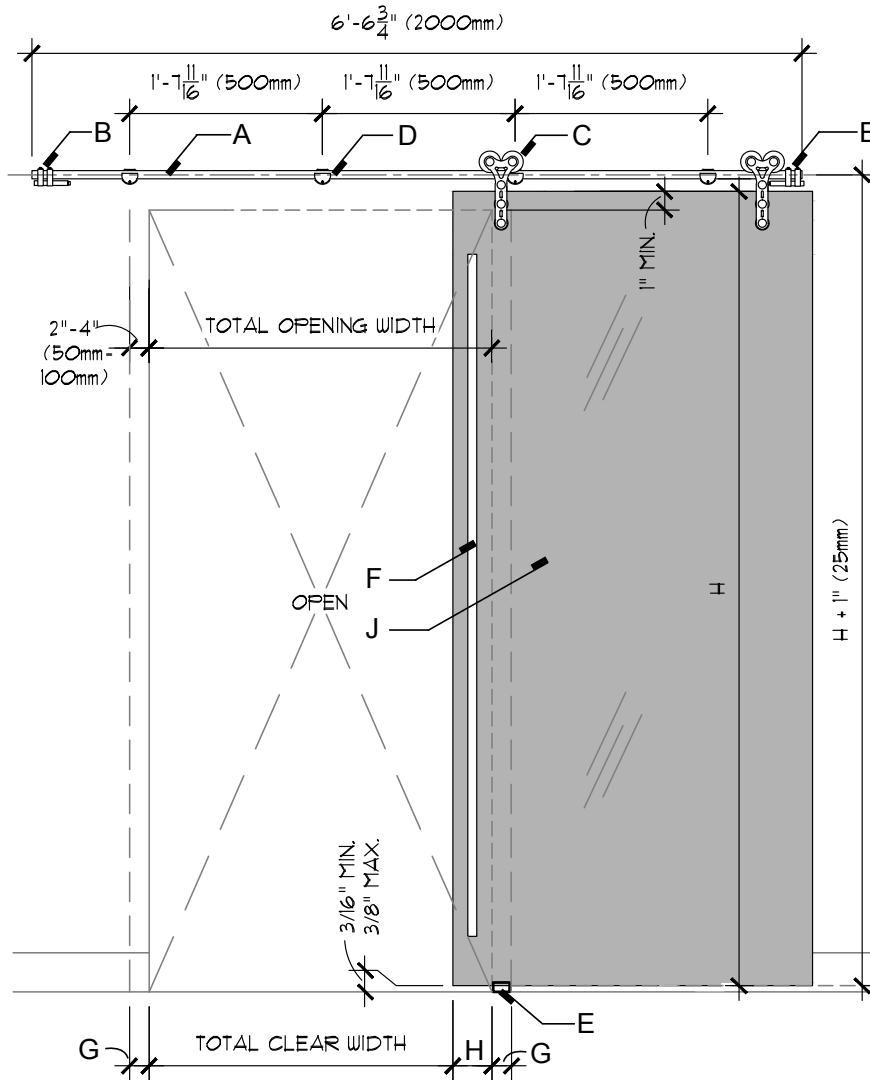
<https://www.archconceptsllc.com/products/doors/hardware/sliding-barn-door/>

Page 3 of 7

Revised 06-10-22

AC5000-C

Barn Door



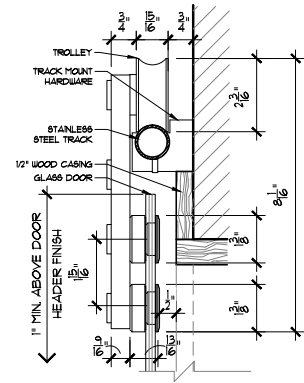
KEYNOTES:

- A. Stainless steel track
- B. Door stop
- C. Trolley hardware
- D. Track mount hardware
- E. Floor guide
- F. Pull handle
- G. 2" side of door overlap at closed position
- H. 4" side of door overlap at open position
- J. Glass door

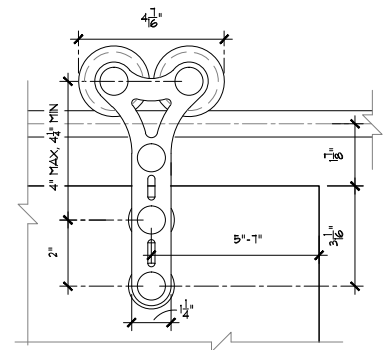
NOTES:

1. All measurements must be field verified by Architectural Concepts or by G.C.
2. Please follow care and handling instructions for doors and hardware.
3. AC will submit drawings for approval before ordering any material.
4. Layout and configuration can be customized to customer's need.

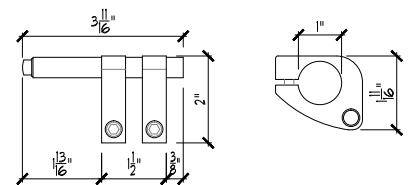
ELEVATION



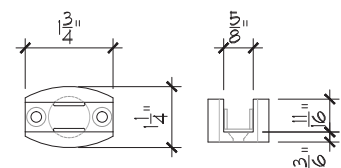
HANGER



DOOR STOP



FLOOR MOUNT



Architectural Concepts

(888) 248 2724 | (720) 259 5364 | info@archconceptsllc.com | 18505 Longs Way, Parker, CO 80134 | archconceptsllc.com

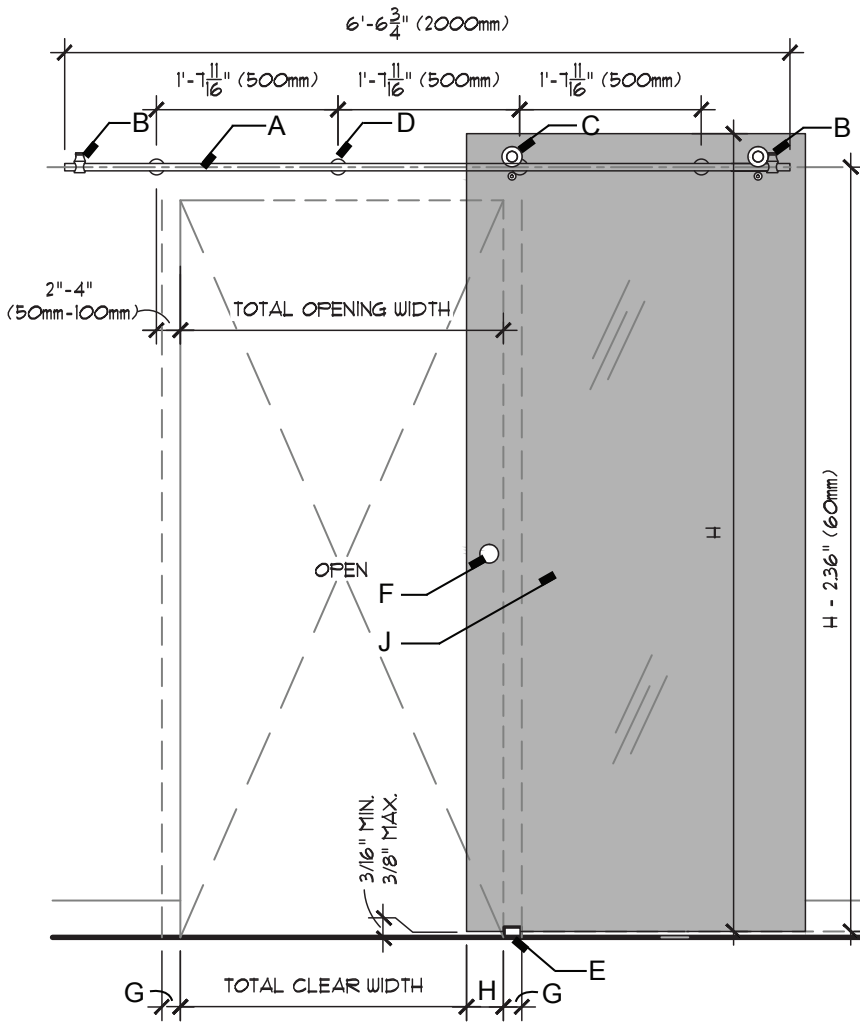
<https://www.archconceptsllc.com/products/doors/hardware/sliding-barn-door/>

Page 4 of 7

Revised 06-10-22

AC5000-D

Barn Door



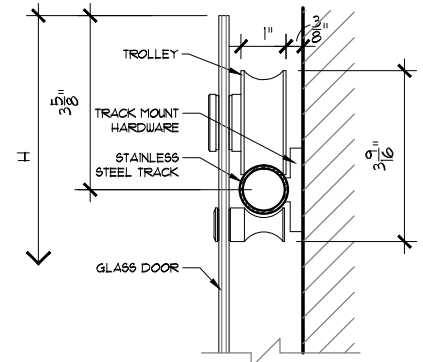
KEYNOTES:

- A. Stainless steel track
- B. Door stop
- C. Trolley hardware
- D. Track mount hardware
- E. Floor guide
- F. Pull handle
- G. 2" side of door overlap at closed position
- H. 4" side of door overlap at open position
- J. Glass door

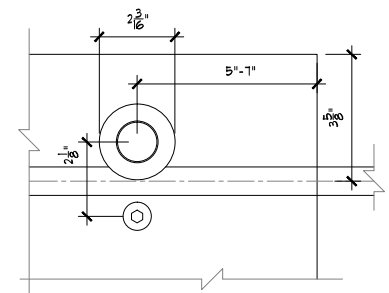
NOTES:

1. All measurements must be field verified by Architectural Concepts or by G.C.
2. Please follow care and handling instructions for doors and hardware.
3. AC will submit drawings for approval before ordering any material.
4. Layout and configuration can be customized to customer's need.

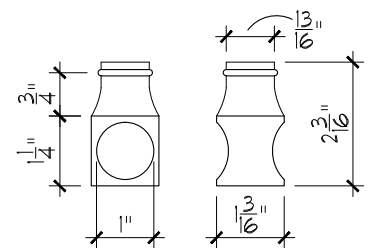
ELEVATION



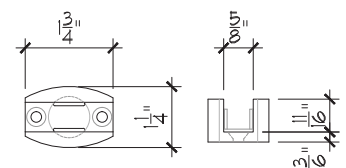
HANGER



DOOR STOP



FLOOR MOUNT



Architectural Concepts

(888) 248 2724 | (720) 259 5364 | info@archconceptsllc.com | 18505 Longs Way, Parker, CO 80134 | archconceptsllc.com

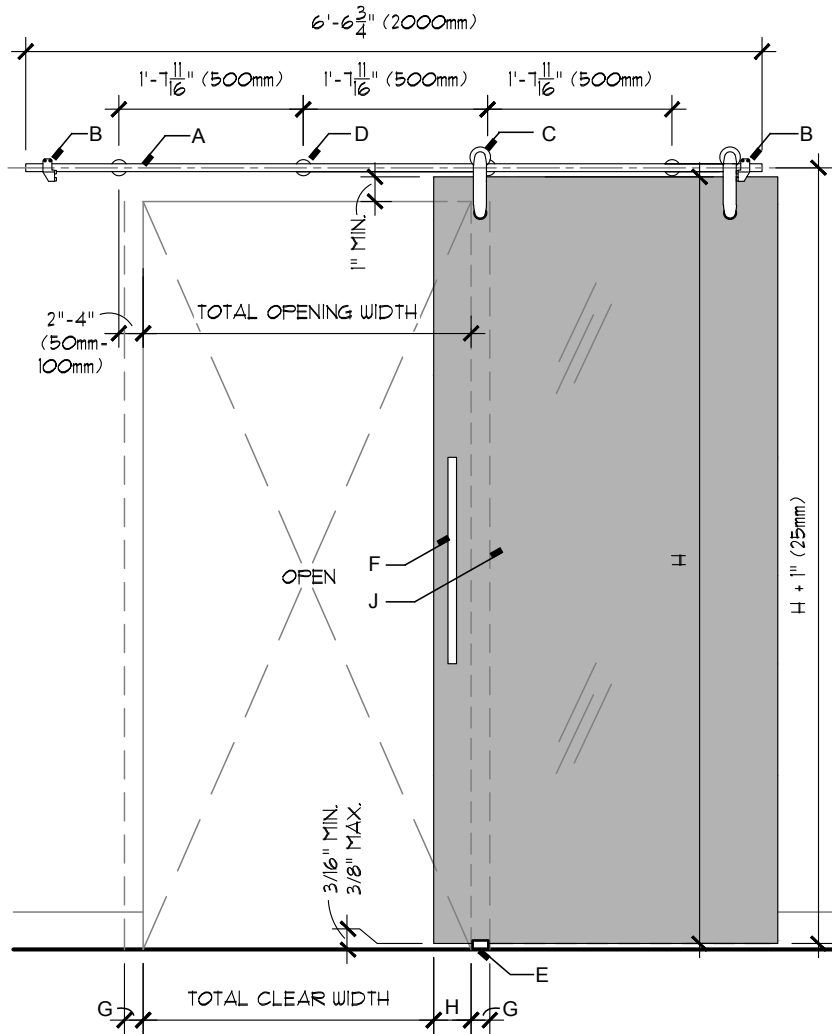
<https://www.archconceptsllc.com/products/doors/hardware/sliding-barn-door/>

Page 5 of 7

Revised 06-10-22

AC5000-E

Barn Door



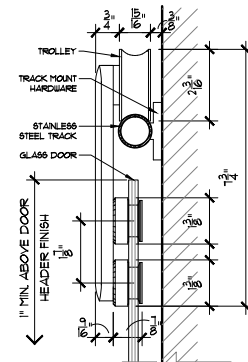
KEYNOTES:

- A. Stainless steel track
- B. Door stop
- C. Trolley hardware
- D. Track mount hardware
- E. Floor guide
- F. Pull handle
- G. 2" side of door overlap at closed position
- H. 4" side of door overlap at open position
- J. Glass door

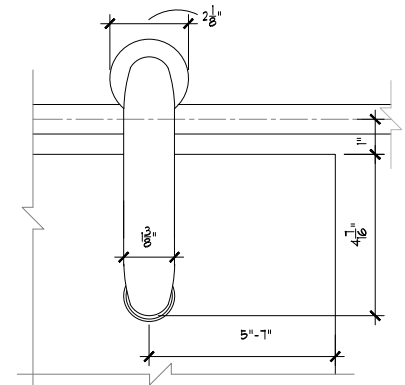
NOTES:

1. All measurements must be field verified by Architectural Concepts or by G.C.
2. Please follow care and handling instructions for doors and hardware.
3. AC will submit drawings for approval before ordering any material.
4. Layout and configuration can be customized to customer's need.

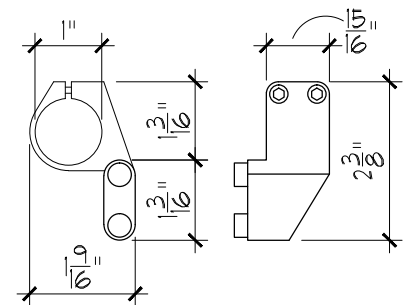
ELEVATION



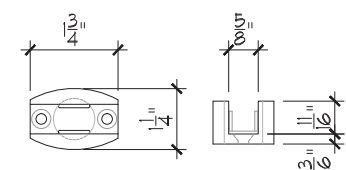
HANGER



DOOR STOP



FLOOR MOUNT



Architectural Concepts

(888) 248 2724 | (720) 259 5364 | info@archconceptsllc.com | 18505 Longs Way, Parker, CO 80134 | archconceptsllc.com

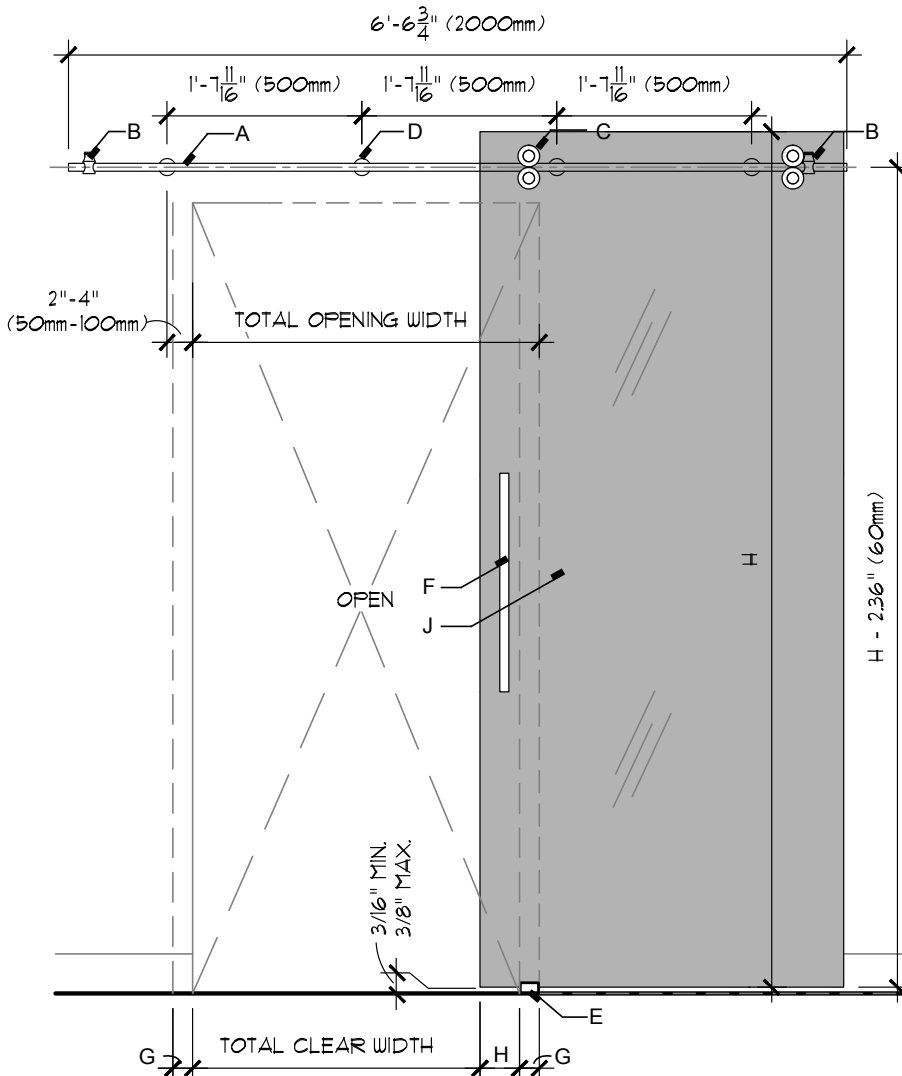
<https://www.archconceptsllc.com/products/doors/hardware/sliding-barn-door/>

Page 6 of 7

Revised 06-10-22

AC5000-F

Barn Door



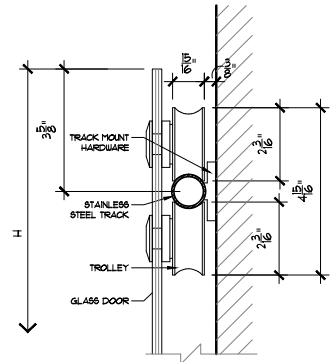
KEYNOTES:

- A. Stainless steel track
- B. Door stop
- C. Trolley hardware
- D. Track mount hardware
- E. Floor guide
- F. Pull handle
- G. 2" side of door overlap at closed position
- H. 4" side of door overlap at open position
- J. Glass door

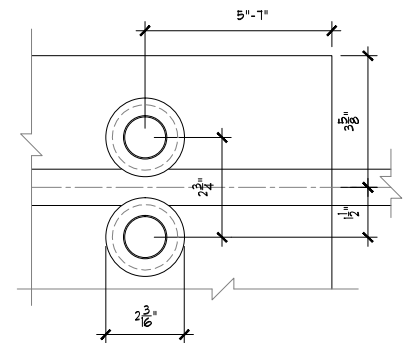
NOTES:

1. All measurements must be field verified by Architectural Concepts or by G.C.
2. Please follow care and handling instructions for doors and hardware.
3. AC will submit drawings for approval before ordering any material.
4. Layout and configuration can be customized to customer's need.

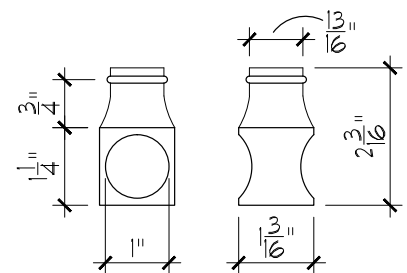
ELEVATION



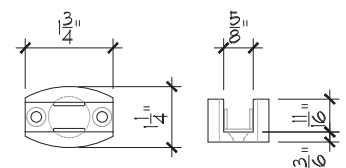
HANGER



DOOR STOP



FLOOR MOUNT



Architectural Concepts

(888) 248 2724 | (720) 259 5364 | info@archconceptsllc.com | 18505 Longs Way, Parker, CO 80134 | archconceptsllc.com

<https://www.archconceptsllc.com/products/doors/hardware/sliding-barn-door/>

Page 7 of 7

Revised 06-10-22