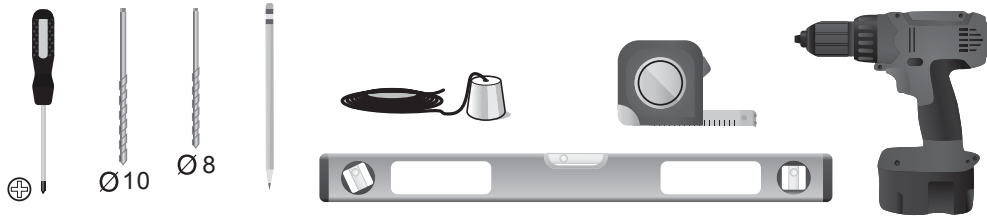


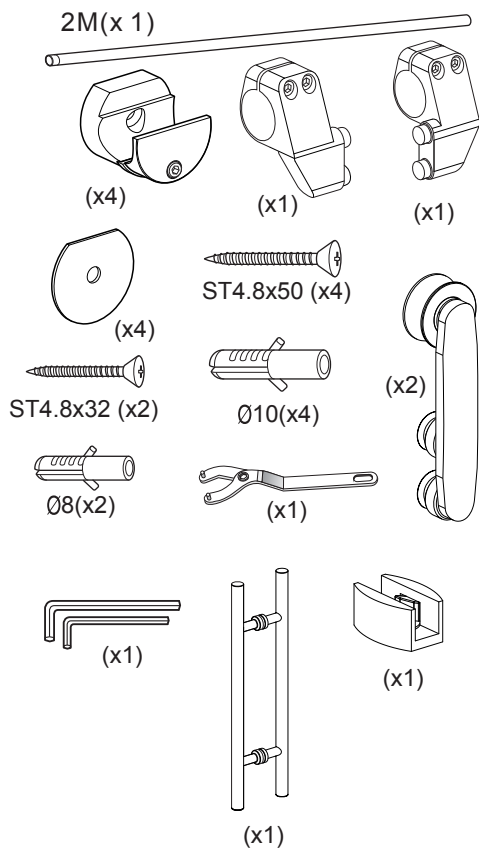


AC5000E SERIES BARN DOOR INSTALLATION

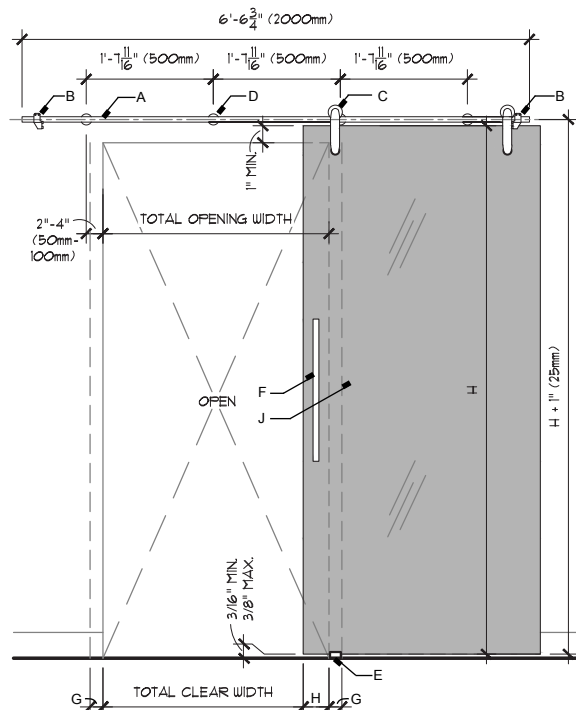
TOOLS REQUIRED



MATERIALS PROVIDED



DIMENSIONS



Architectural Concepts

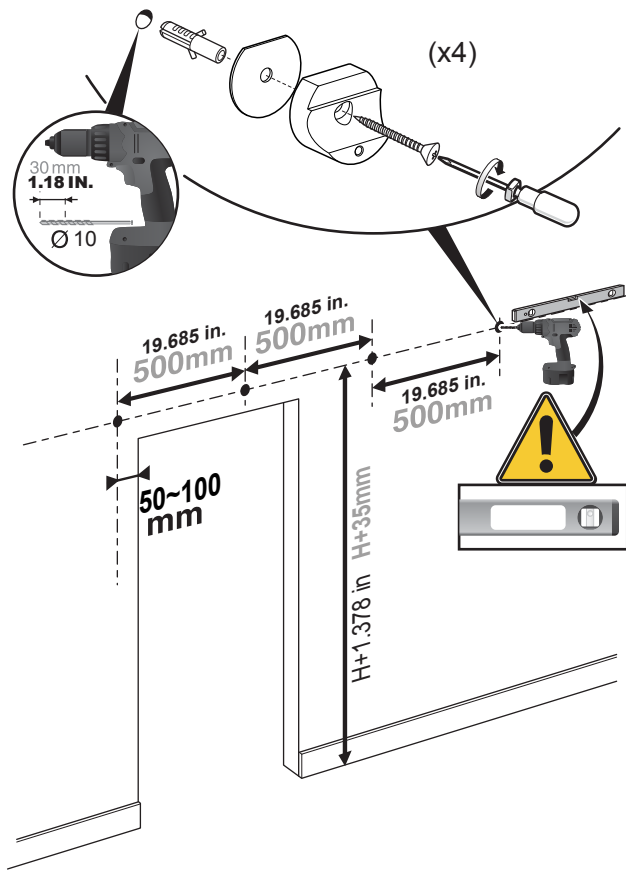
O (888) 248 2724
D (720) 259 5358
E info@archconceptsllc.com

18505 Longs Way
Parker, CO 80134

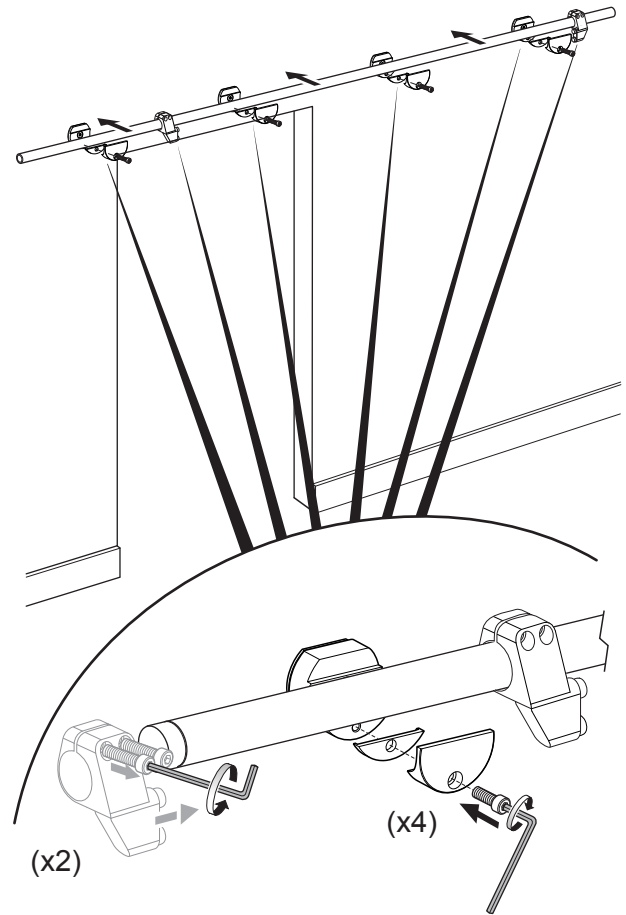
archconceptsllc.com

AC5000-E Barn Door Installation

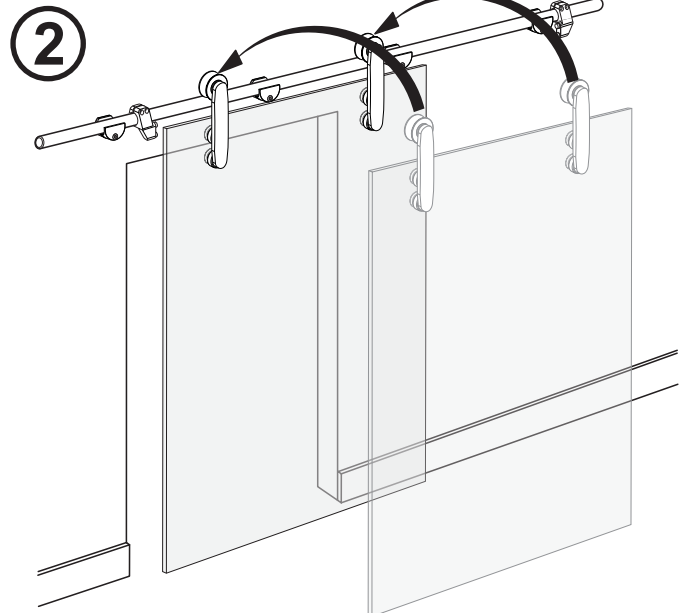
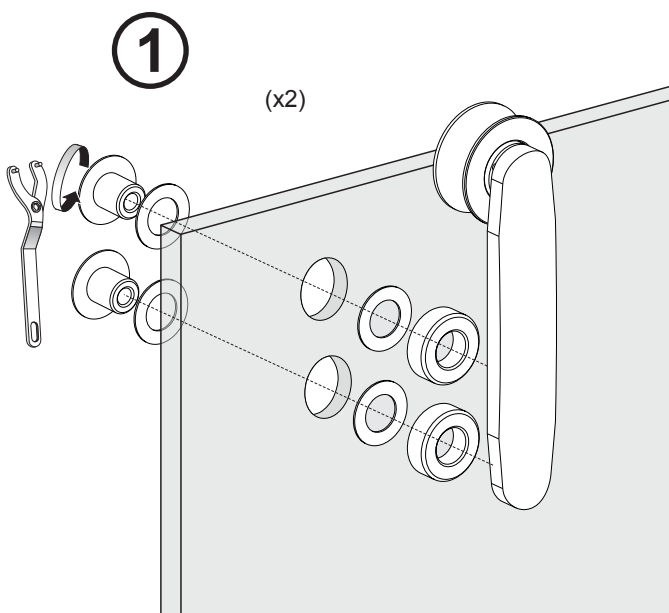
STEP 1



STEP 2



STEP 3



Architectural Concepts

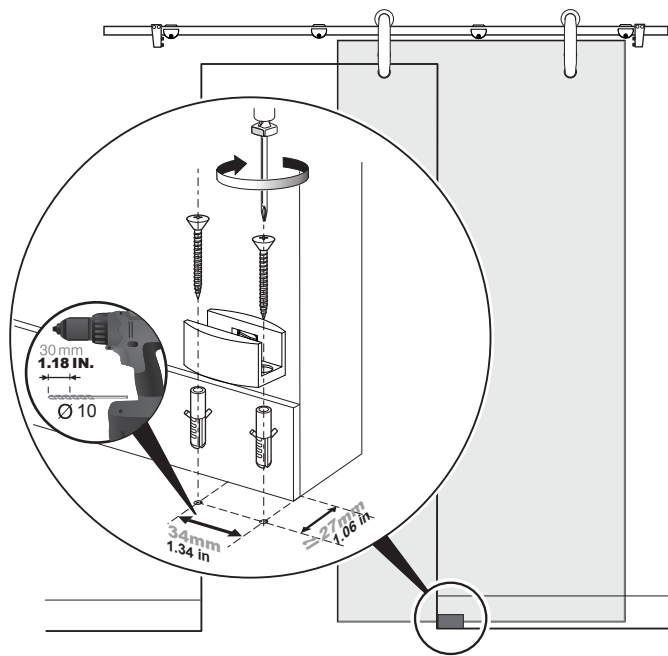
(888) 248 2724 | (720) 259 5358 | info@archconceptsllc.com | 18505 Longs Way, Parker, CO 80134 | archconceptsllc.com

<https://www.archconceptsllc.com/products/hardware/sliding-barn-door/>

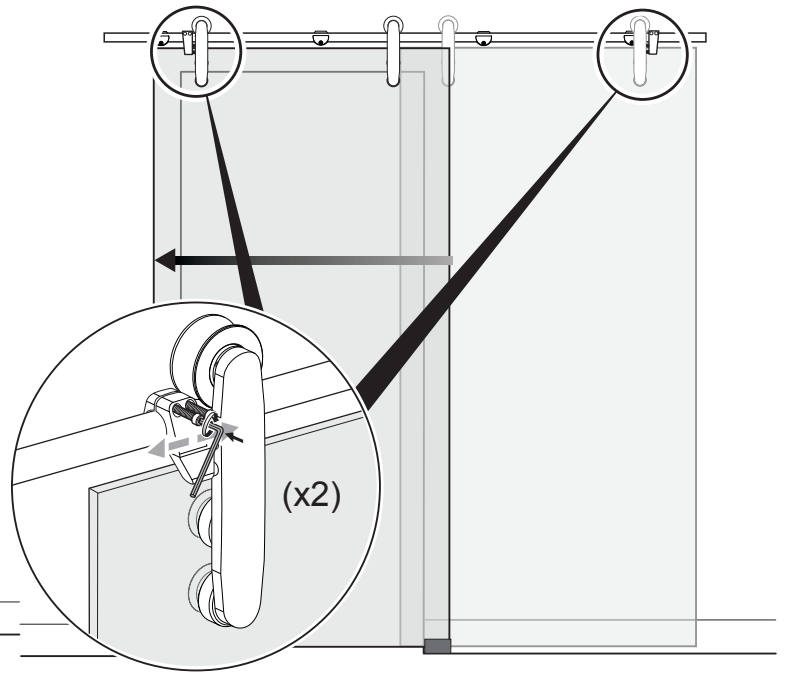
Page 2 of 3

Revised 06-10-22

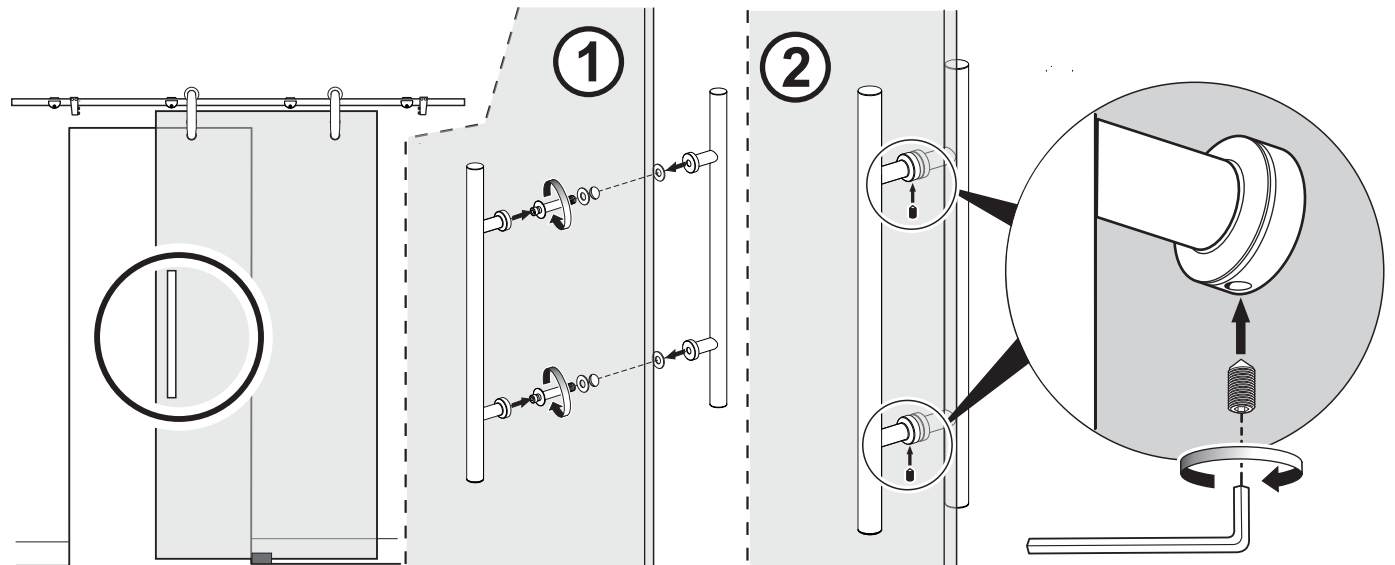
STEP 4



STEP 5



STEP 6



Architectural Concepts

(888) 248 2724 | (720) 259 5358 | info@archconceptsllc.com | 18505 Longs Way, Parker, CO 80134 | archconceptsllc.com

<https://www.archconceptsllc.com/products/hardware/sliding-barn-door/>

Page 3 of 3

Revised 06-10-22