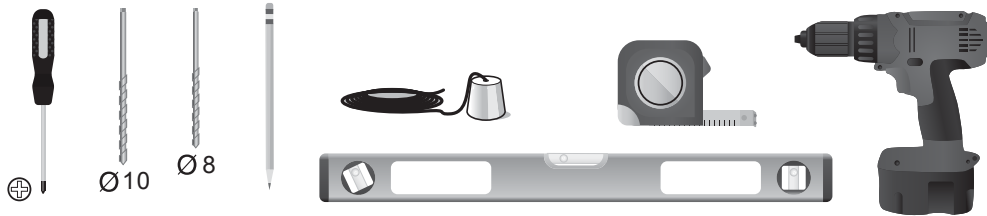
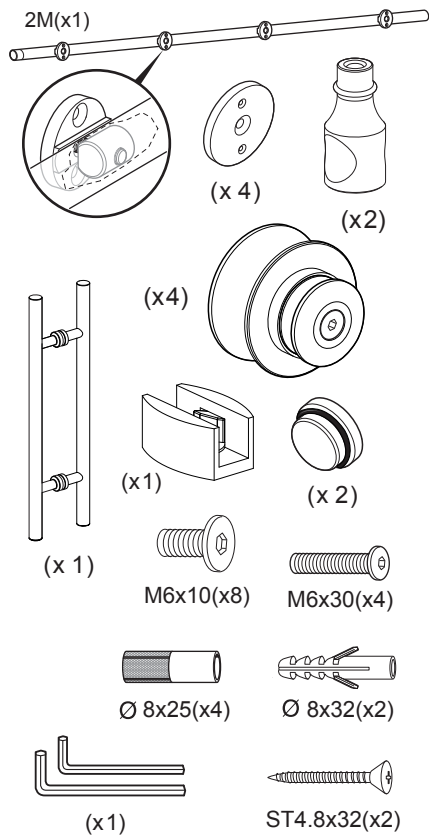


# AC5000F SERIES BARN DOOR INSTALLATION

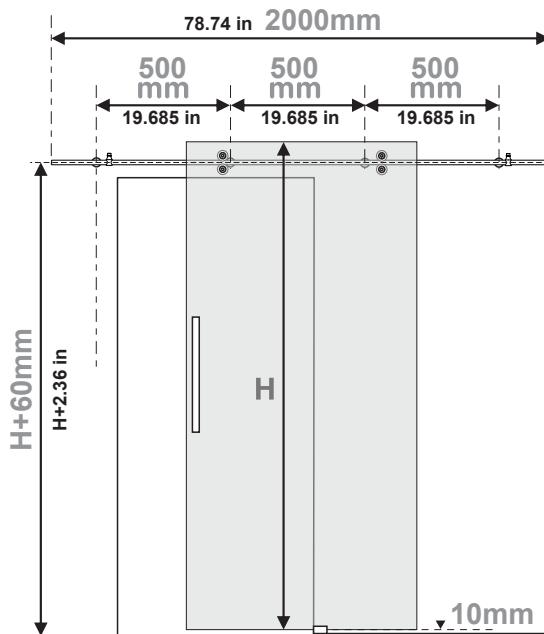
## TOOLS REQUIRED



## MATERIALS PROVIDED



## DIMENSIONS



## Architectural Concepts

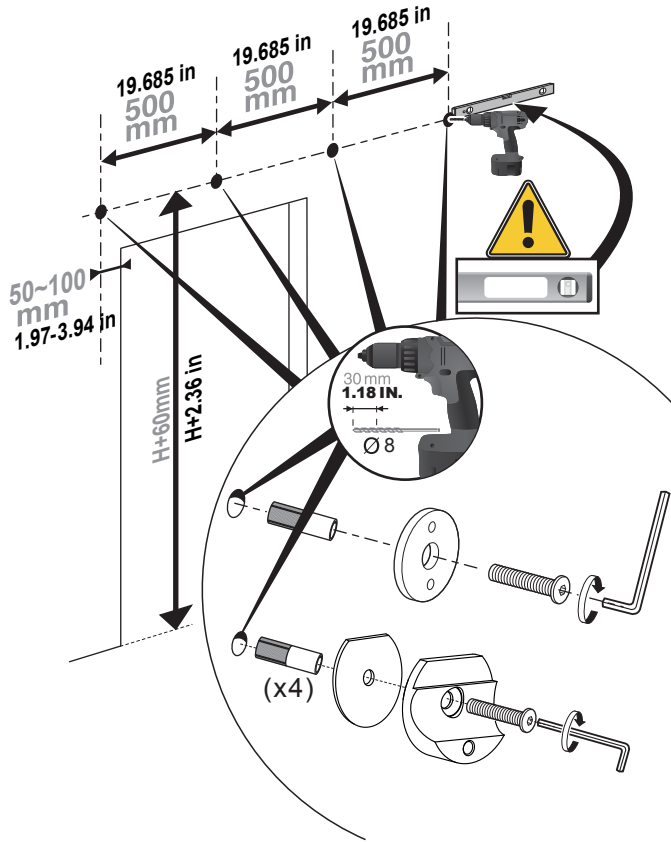
O (888) 248 2724  
D (720) 259 5358  
E [info@archconceptsllc.com](mailto:info@archconceptsllc.com)

18505 Longs Way  
Parker, CO 80134

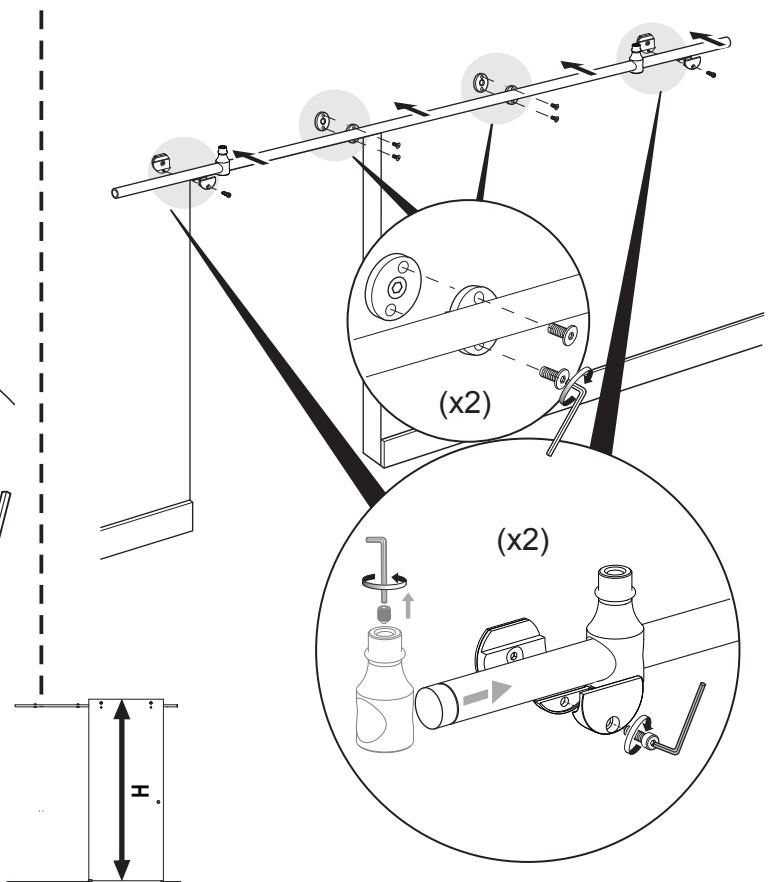
[archconceptsllc.com](http://archconceptsllc.com)

# AC5000-F Barn Door Installation

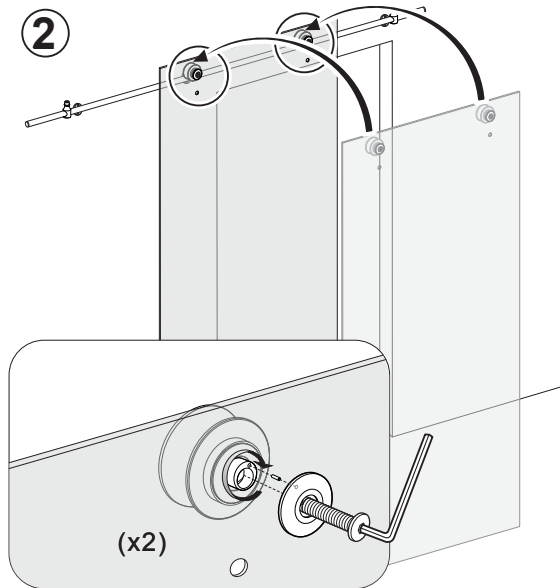
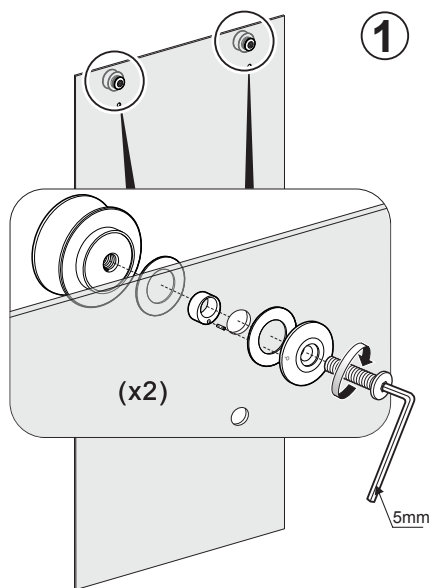
## STEP 1



## STEP 2



## STEP 3



**Architectural Concepts**

(888) 248 2724 | (720) 259 5358 | info@archconceptsllc.com | 18505 Longs Way, Parker, CO 80134 | archconceptsllc.com

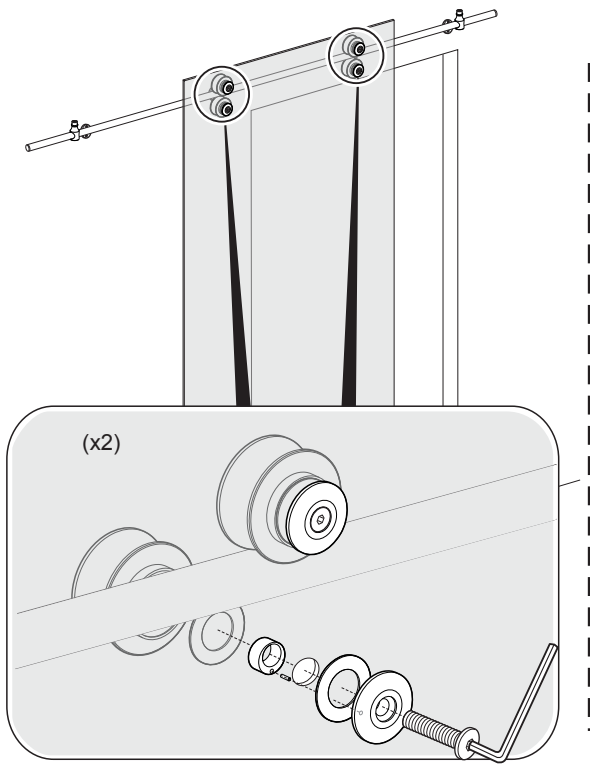
<https://www.archconceptsllc.com/products/hardware/sliding-barn-door/>

Page 2 of 4

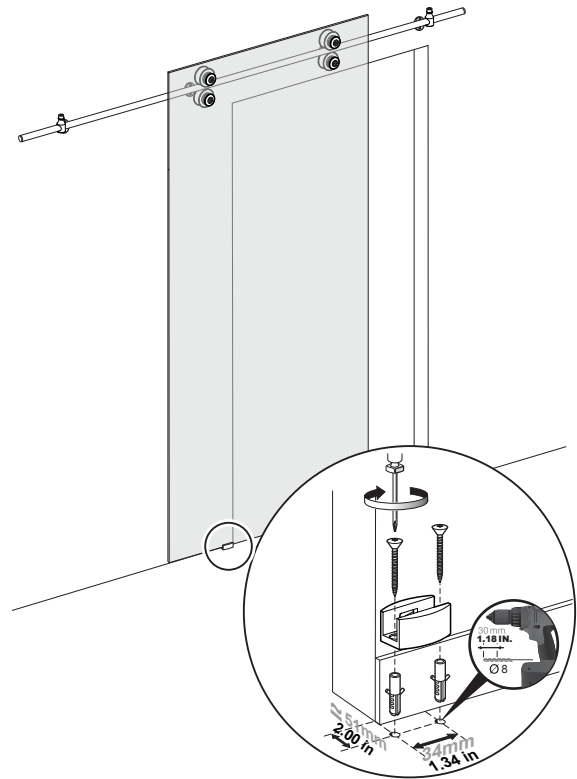
Revised 06-10-22

# AC5000-F Barn Door Installation

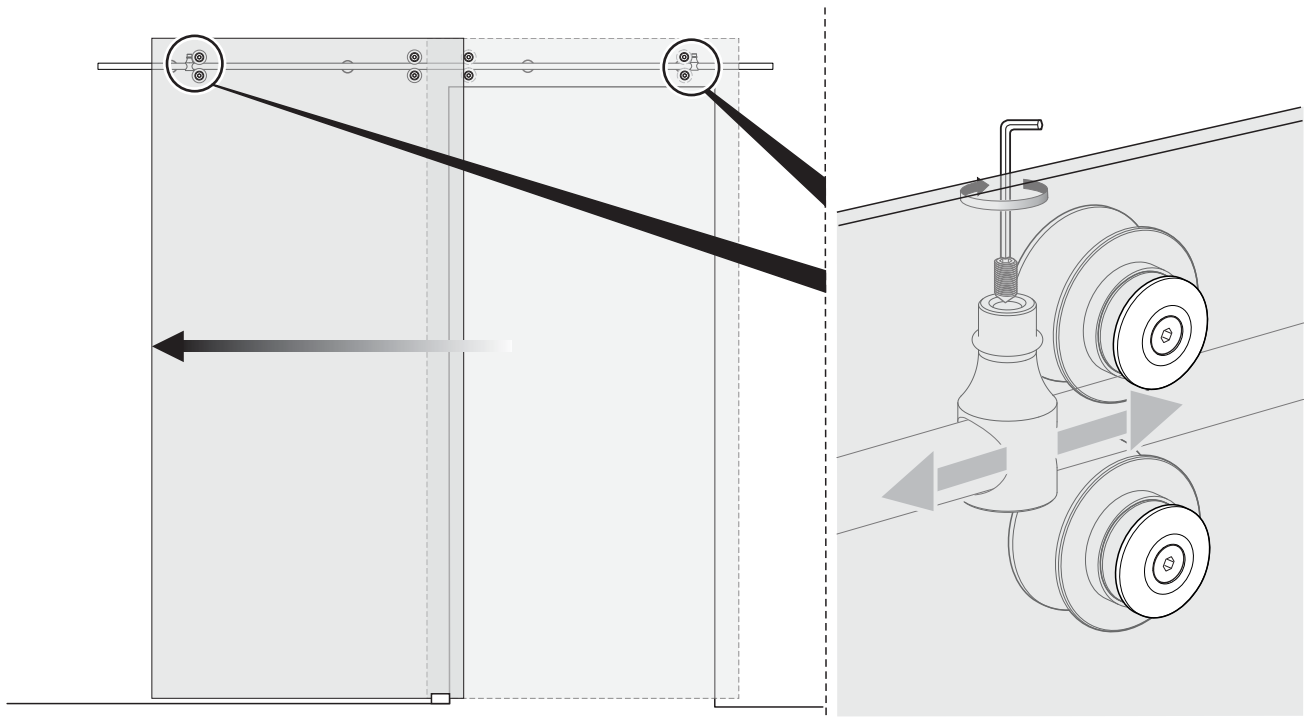
## STEP 4



## STEP 5



## STEP 6



**Architectural Concepts**

(888) 248 2724 | (720) 259 5358 | info@archconceptsllc.com | 18505 Longs Way, Parker, CO 80134 | archconceptsllc.com

<https://www.archconceptsllc.com/products/hardware/sliding-barn-door/>

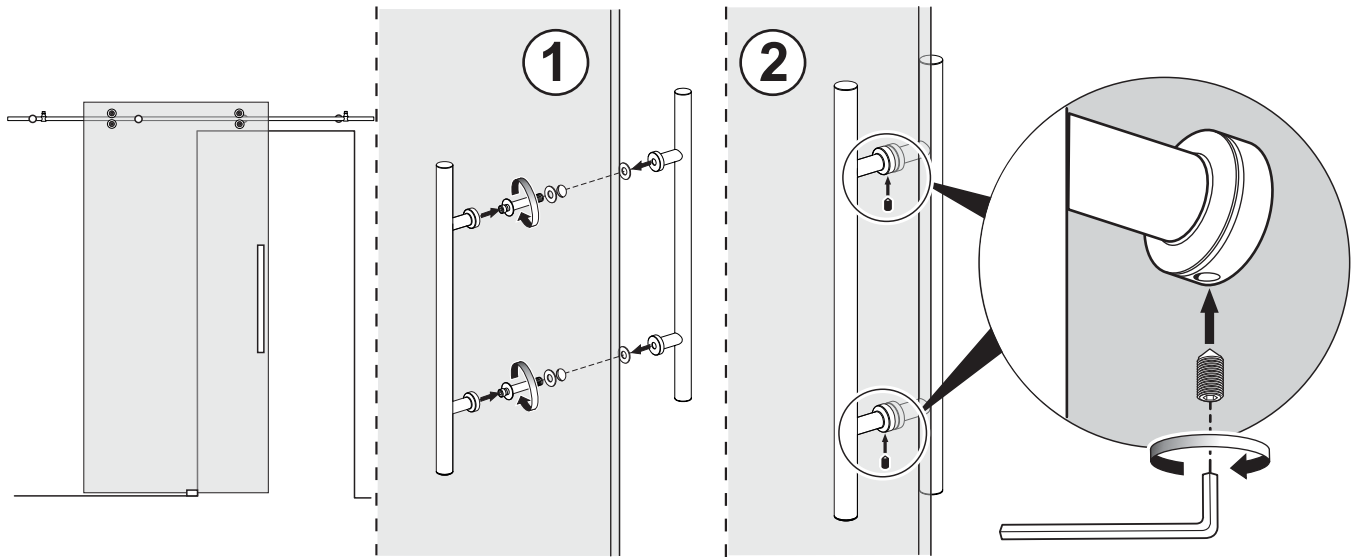
Page 3 of 4

Revised 06-10-22

# AC5000-D Barn Door Installation

## STEP 7

---



**Architectural Concepts**

(888) 248 2724 | (720) 259 5358 | [info@archconceptsllc.com](mailto:info@archconceptsllc.com) | 18505 Longs Way, Parker, CO 80134 | [archconceptsllc.com](http://archconceptsllc.com)

<https://www.archconceptsllc.com/products/hardware/sliding-barn-door/>

Page 4 of 4

Revised 06-10-22