



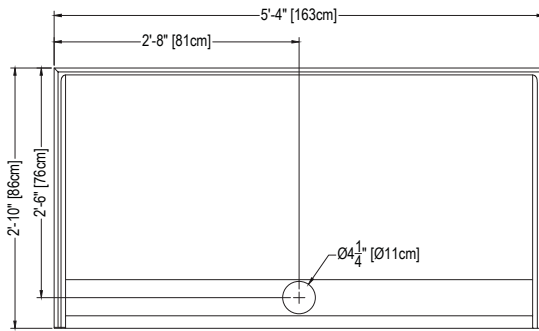
34 X 64 ADA BARRIER FREE - TRENCH DRAIN

Cultured Marble Shower Pan

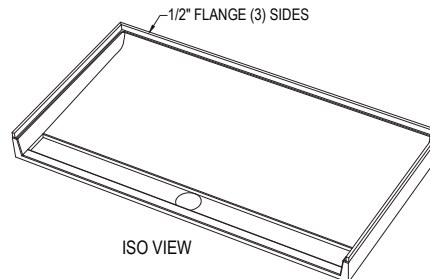
- PRODUCT:** Shower Pan
- SERIES:** Trench Drain
- MODEL:** 34 x 64 ADA Barrier-Free
- APPLICATION:** Shower Base
- DIMENSIONS:** 34" (86cm) Deep x 64" (163cm) Long x 5.5" (14cm) Tall
Drain Centered at 30" (81cm)
- COLOR:** See Color Options Sheet
- FINISH:** Matte or Gloss
- MATERIAL:** Solid One-Piece Cultured Marble
- INSTALLATION:** Refer to Installation Guide
- ATTRIBUTES:** Permanently Sealed Surface
Textured Non-slip Finish
Mold, Mildew and Bacteria Resistance
Abrasion Resistant
Stainless Steel Trench Drain Cover
Easy Install
Easy Maintenance
ASTM F 462 & CSA B45.5-11 IAPMO Z124-11 compliant



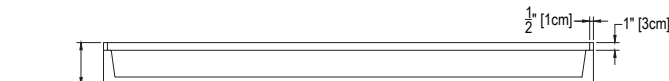
DIMENSIONS:



TOP VIEW



ISO VIEW



FRONT VIEW



SIDE VIEW

Architectural Concepts

888.248.2724

720.259.5364

info@archconceptsllc.com

18499 Longs Way, Suite 102
Parker, CO 80134

archconceptsllc.com