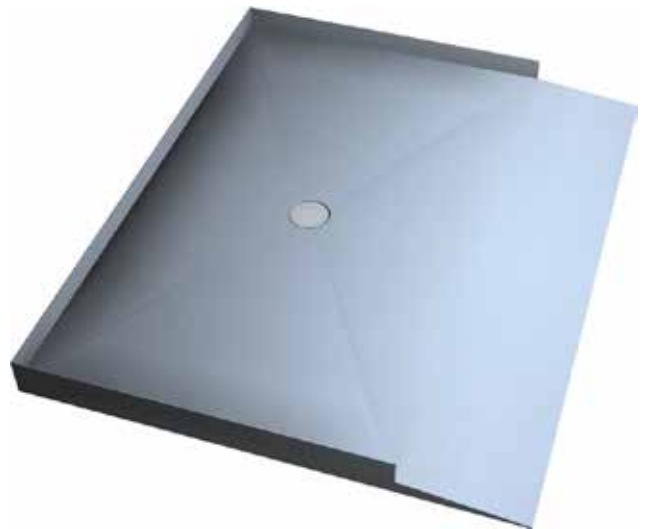




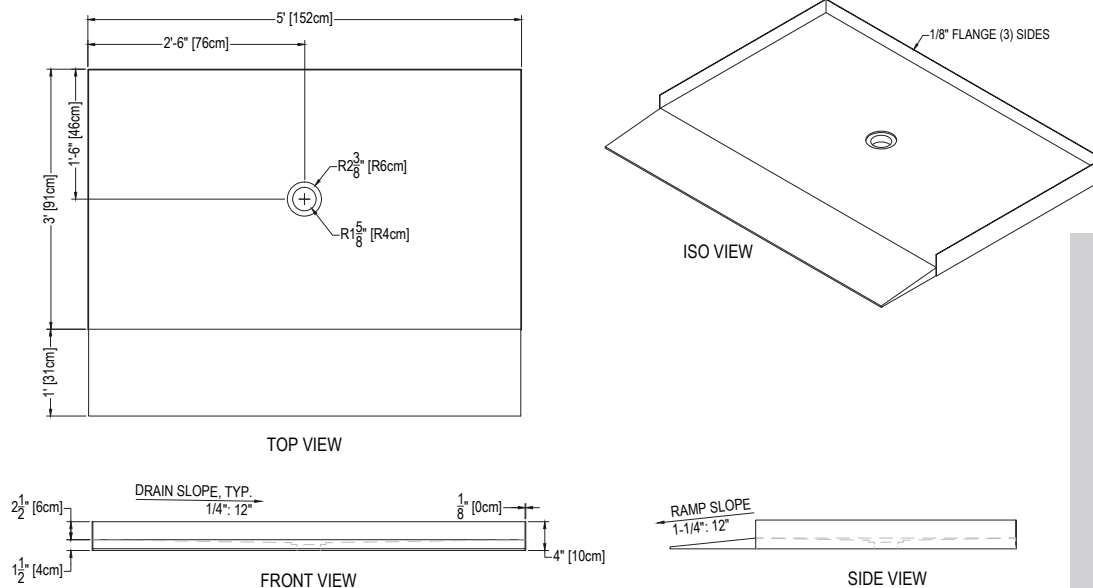
36 X 60 ADA - CENTER DRAIN

Cultured Marble Shower Pan

- PRODUCT:** Shower Pan
SERIES: Center Drain
MODEL: 36 x 60 ADA Center Drain
APPLICATION: Shower Base
DIMENSIONS: 36" (91cm) Deep x 60" (152cm) Long x 4" (10cm) Tall
Drain Centered at 18" (46cm)
COLOR: See Color Options Sheet
FINISH: Matte or Gloss
MATERIAL: Solid One-Piece Cultured Marble
INSTALLATION: Refer to Installation Guide
ATTRIBUTES: Permanently Sealed Surface
Textured Non-slip Finish
Mold, Mildew and Bacteria Resistance
Abrasion Resistant
Stainless Steel Trench Drain Cover
Easy Install
Easy Maintenance
ASTM F 462 & CSA B45.5-11 IAPMO Z124-11 compliant



DIMENSIONS:



Architectural Concepts

888.248.2724

720.259.5364

info@archconceptsllc.com

18499 Longs Way, Suite 102
Parker, CO 80134

archconceptsllc.com