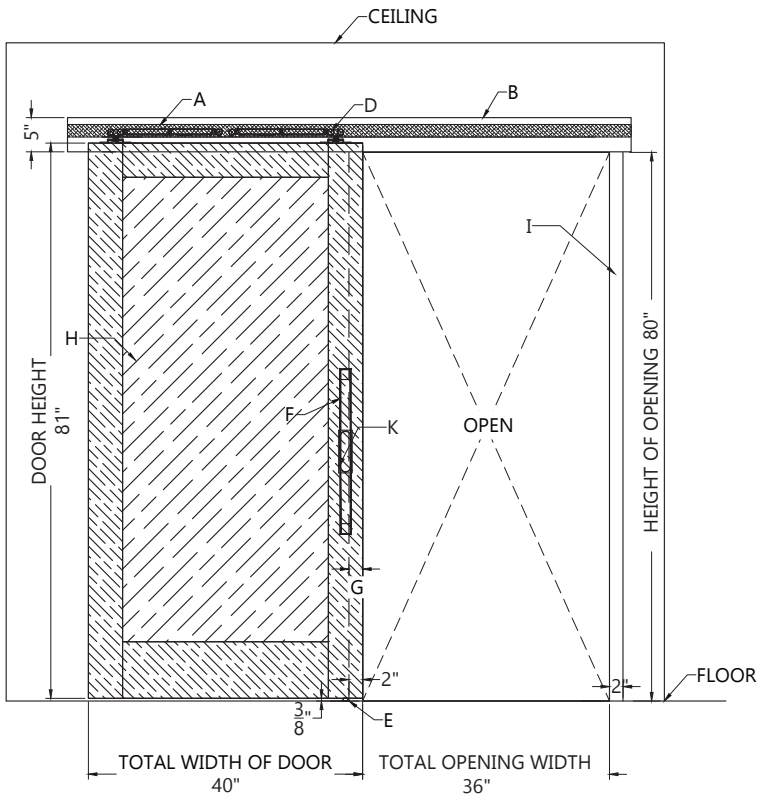




ACCL80SC

Barn Door Hardware

ELEVATION



OPTIONAL PULL

(not part of ACCL80SC)



MODEL AC5324

DESCRIPTION Pull

FINISHES

- 629 - Polished Stainless
- 630 - Satin Stainless



MODEL AC4251

DESCRIPTION Flush Pull

FINISHES

- 629 - Polished Stainless
- 630 - Satin Stainless

KEYNOTES:

- A. Track
- B. Valance
- C. Valance Track Clip
- D. Trolley hardware with integrated soft close mechanism
- E. Floor guide
- F. Pull handle AC5324
- G. Side of door overlap at open position
- H. Door
- I. Door Trim
- J. Blocking
- K. Flush pull AC4251

ACCL80SC

Architectural Concepts

888.248.2724

720.259.5358

info@archconceptsllc.com

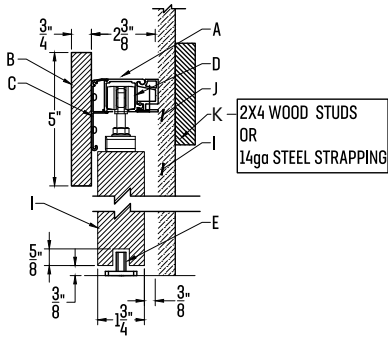
18499 Longs Way, Suite 102
Parker, CO 80134

archconceptsllc.com

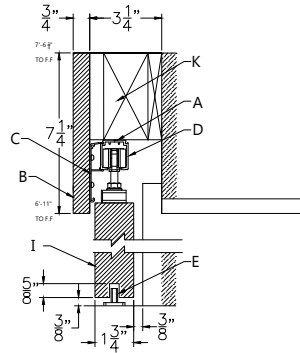
ACCL80SC

Barn Door

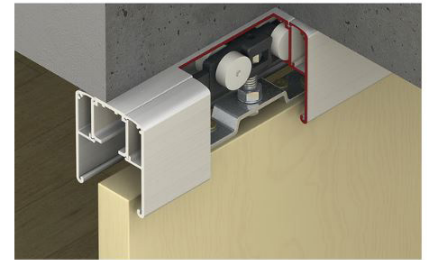
OPTIONS



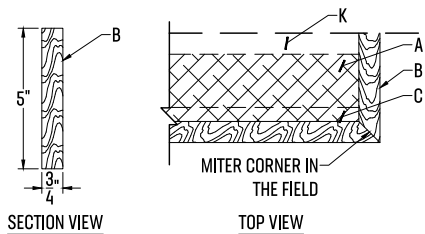
Model: ACCL80SC Wall mount
Description: Top Mounted Trolley
Finish: Stainless Steel



Model: ACCL80SC Soffit mount
Description: Top Mounted Trolley
Finish: Stainless Steel



Ceiling installation



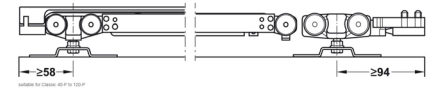
KEYNOTES:

- A. Track
- B. Valance
- C. Valance Track Clip
- D. Trolley hardware with integrated soft close mechanism
- E. Floor guide
- I. Door
- J. Door Trim
- K. Blocking

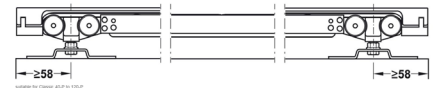
DESCRIPTION: Sliding barn door system with "Dual Soft Closer", anodized aluminum track with continuous aluminum support & valance as well as floor guides and hardware.

Handling to be verified by GC or Architectural Concepts. Door to be at least 2" wider than finished opening to properly overlap each side for privacy. Door is either primed MDF or Prefinished wood - TBD by Designer. Valance is either primed MDF or Prefinished wood - TBD by Designer. Max. door weight is 176 lbs.

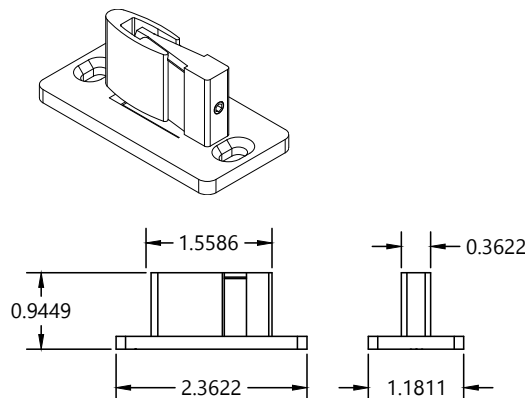
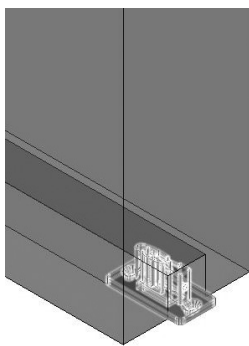
SOFT CLOSE ONE SIDE



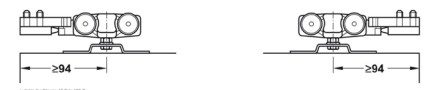
SOFT CLOSE BOTH SIDES



FLOOR GUIDE (included with ACCL80SC)



TRACK WITHOUT SOFT CLOSE



Architectural Concepts

888.248.2724 | 720.259.5358 | info@archconceptsllc.com | 18499 Longs Way, Suite 102 Parker, CO 80134 | archconceptsllc.com

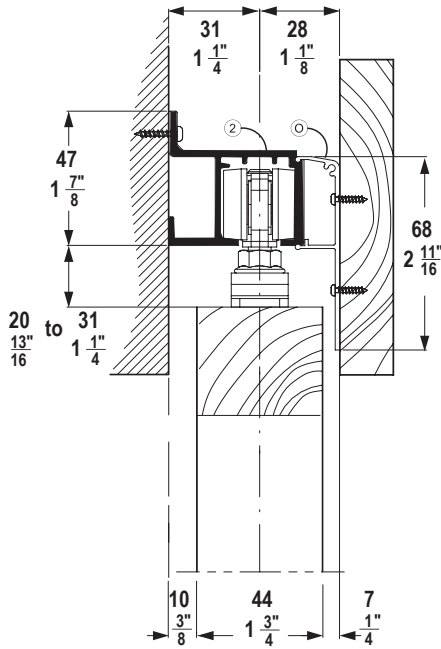
<https://www.archconceptsllc.com/products/doors/hardware/sliding-barn-door/>

Page 2 of 4

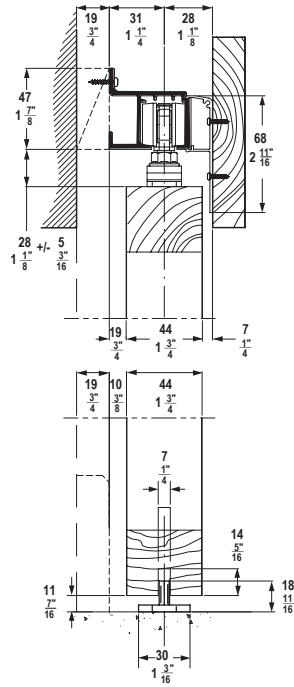
Revised 06-26-19

ACCL80SC

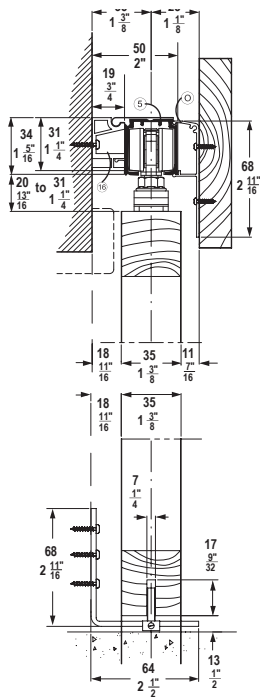
Mounting Options



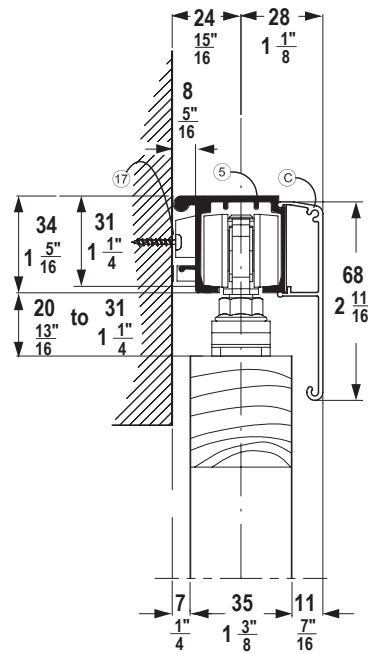
1 3/4" door with wall mounted track #2 and fascia clip O



1 3/4" door with wall mounted track #2, fascia O and floor mounted guide



1 3/8" door with wall mounted track #5, fascia clip C and mounting rail #17



Architectural Concepts

888.248.2724 | 720.259.5358 | info@archconceptsllc.com | 18499 Longs Way, Suite 102 Parker, CO 80134 | archconceptsllc.com

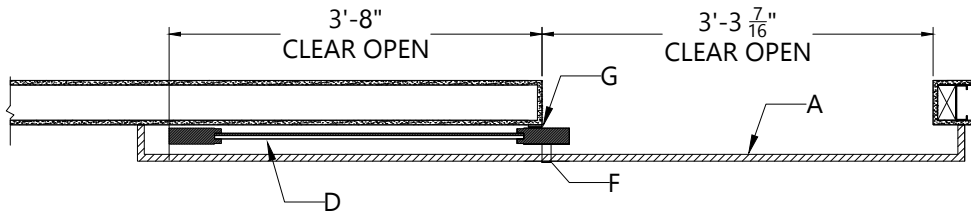
<https://www.archconceptsllc.com/products/doors/hardware/sliding-barn-door/>

Page 3 of 4

Revised 06-26-19

ACCL80SC

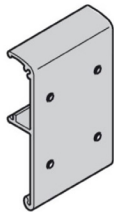
Plan View



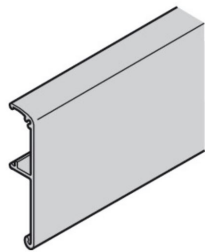
KEYNOTES:

- A. Valance, Profile F
- D. Wood door with 100% opaque laminated glass
- F. Pull handle AC5336
- G. Pull hardware AC4251
- H. Door stop, Profile A
- J. Door STOP Profile B
- K. Privacy trim, Profile C
- R. 3/8" Flat panel on the back in the same mocha firwood plastic laminated
- S. 1/4" painted white glass panel on the bedroom side

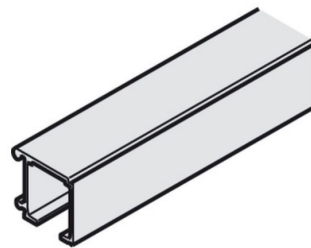
Parts



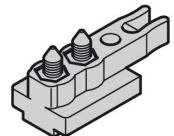
Fixing Clip



Clip Fascia



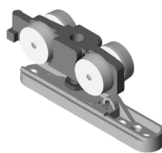
Single Upper Track



Track Buffer



Trolley and Soft Close



Running Gear



Architectural Concepts

888.248.2724 | 720.259.5358 | info@archconceptsllc.com | 18499 Longs Way, Suite 102 Parker, CO 80134 | archconceptsllc.com

<https://www.archconceptsllc.com/products/doors/hardware/sliding-barn-door/>

Page 4 of 4

Revised 06-26-19