



SHOWER BASE INSTALLATION INSTRUCTIONS

CULTURED MARBLE

GUIDE

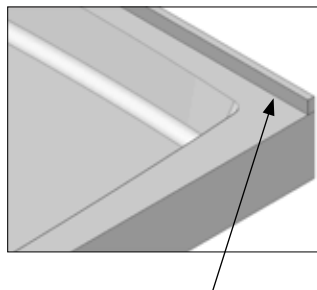
This installation instruction can be applied to any of the Architectural Concepts Shower Pans:

Standard Rectangle
Square
Curved Front
Neo-Angle
Transfer
Doorless Walk-In
Trench Drain

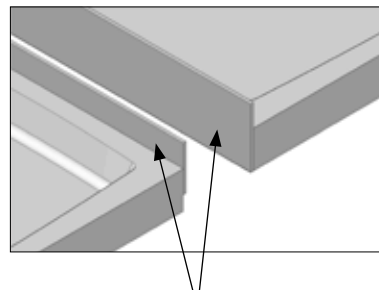
GENERAL NOTES

Prior to starting the installation, please read the notes below as they will help plan your installation and avoid unnecessary breakage. Architectural Concepts (AC) is not liable for breakage due to mishandling or improper installing.

1. All shower pans rest on sub-floors, not finished floors. AC Shower Bases have been custom designed to drain properly if installed on a level surface.
2. Most floors are not level. It is best to check the floor for level before installing the base. If the floor is not level, float the floor with mortar or another suitable material and allow the material to dry before setting the base. Unlevel floor conditions or variances in the bottom of pan within production tolerance may result in the need to use a thin-set material for installation. In cases where this may be needed please refer to our **Thin Set installation supplement**.
3. **DO NOT** use either the integral flanges or the leak-proof fiberglass flanges to lift or handle the base (see below diagram). They are not handles and it is critical that they are not damaged or broken in and way during installation. They ensure the base will not leak in the event there is a drain problem and water overflows the basin. They also prevent water from getting behind the wall.



INTEGRAL MARBLE FLANGE



ATTACHED FIBERGLASS FLANGE

**Architectural
Concepts**

888.248.2724

720.259.5358

info@archconceptsllc.com

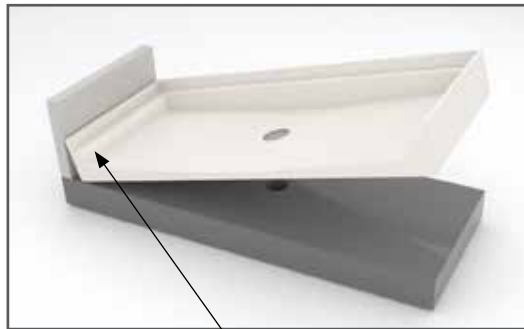
18499 Longs Way, Suite 102
Parker, CO 80134

archconceptsllc.com

STANDARD BASE INSTALLATION

1

CONNECT THE DRAIN TO THE BASE



Carefully, set the base into the opening by setting the back of the base down first (in some cases, setting an end down first may be better).



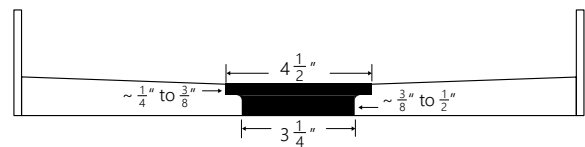
Carefully, lower the base down into place by joining the base

Contractor can now complete connecting the drain.

IMPORTANT: DO NOT USE THE FIBERGLASS FLANGES TO LIFT THE PAN. **THEY ARE NOT HANDLES.**

Note: Substrate material (sheetrock, etc) should not be installed until after the contractor has connected the plumbing to the base.

(Architectural Concepts does **NOT** supply the drain)



2

CHECK BASE FOR LEVEL

After setting the base in place, contractor must check it on all four corners and diagonally in each direction for level. Shim all necessary areas to level the base to make sure it does not move or rock at all.



Architectural Concepts

888.248.2724 | 720.259.5358 | info@archconceptsllc.com | 18499 Longs Way, Suite 102 Parker, CO 80134 | archconceptsllc.com

<https://www.archconceptsllc.com/cultured-marble/>

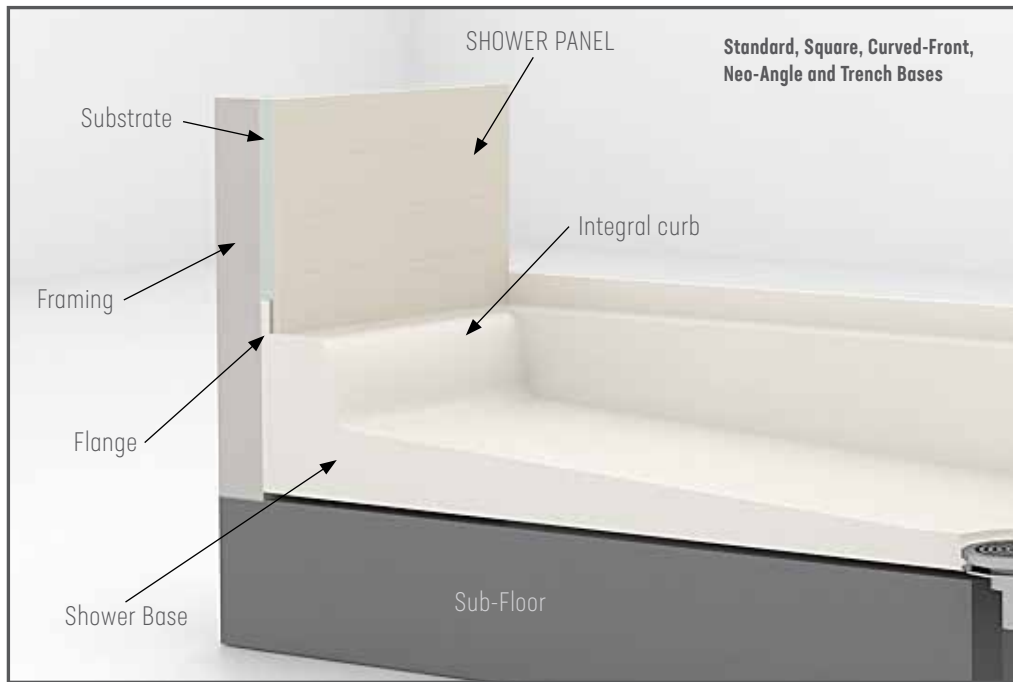
Page 2 of 4

Revised 03-02-20

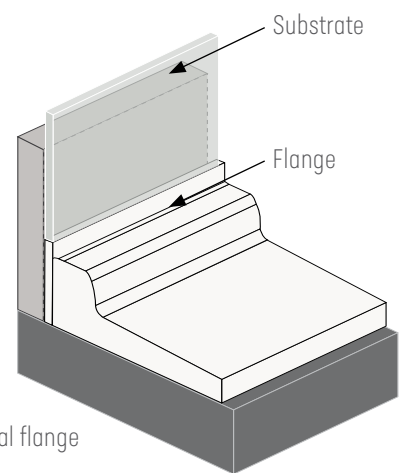
STANDARD BASE INSTALLATION

3

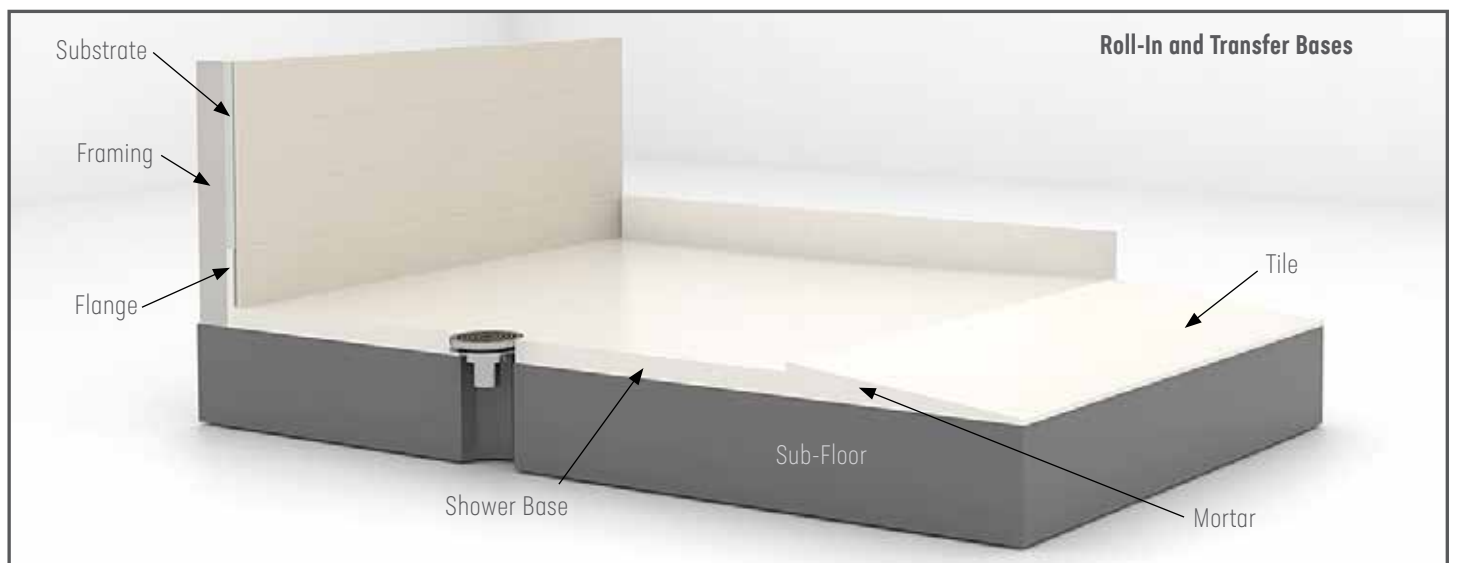
INSTALL SUBSTRATE MATERIAL



Note: When installing a Doorless Walk-in base, the base is to be installed after the side and back walls are framed. After carefully placing the base, the studs can be placed around the angles, walls and entrance to the shower.



Substrate is installed after pan is set and sits just above the integral flange



To complete the shower base installation, install the shower drain cover

Note: Roll-In and Transfer Bases do not come with a ramp. Contractor will be able to tile up to the entrance of the shower base, following ADA guidelines, creating a ramp for the base.



Architectural Concepts

888.248.2724 | 720.259.5358 | info@archconceptsllc.com | 18499 Longs Way, Suite 102 Parker, CO 80134 | archconceptsllc.com

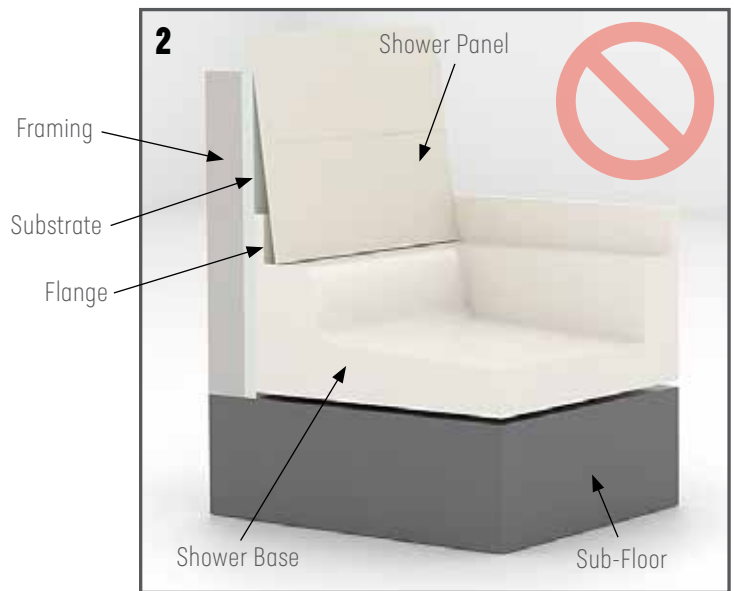
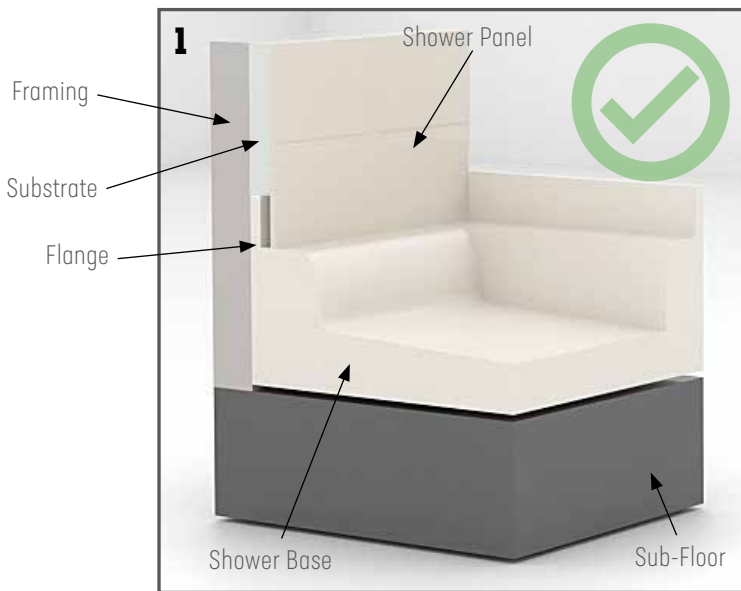
<https://www.archconceptsllc.com/cultured-marble/>

Page 3 of 4

Revised 03-02-20

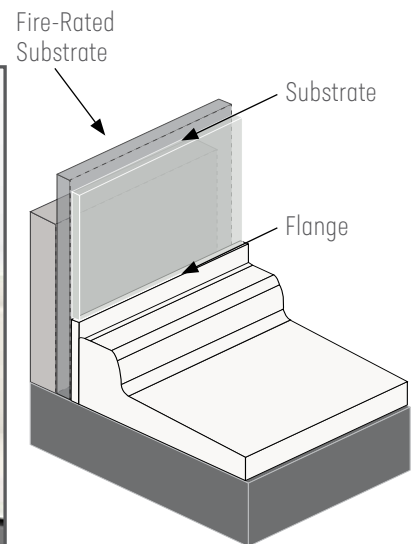
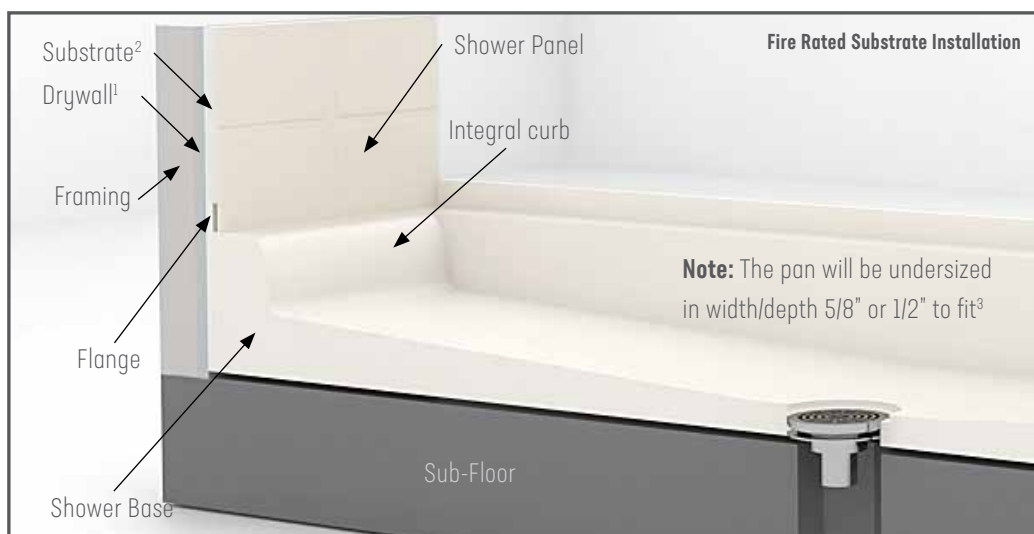
STANDARD BASE INSTALLATION

INSTALL SUBSTRATE MATERIAL



The Substrate must be installed all the way to the Sub-floor. When the Shower Bases are installed, they must extend over the Attached Flange all the way to the Shower Base floor. If only one piece of Substrate is used, the Shower Panel will bow out at the bottom to cover the Flange.

OPTIONAL FIRE-RATED BASE INSTALLATION



Install the first layer of Fire-rated Substrate¹. Then, the preferred method is to install a second layer of Fire-rated Substrate stopping just above the Fiberglass Flange². Install the pan and make drain connection³. The second layer can be installed after the Shower Base is in place. The second layer of substrate will allow the Shower Bases to be installed from the surface of the base upward without the Shower Bases bowing out (*see image 2 above*).



Architectural Concepts

888.248.2724 | 720.259.5358 | info@archconceptsllc.com | 18499 Longs Way, Suite 102 Parker, CO 80134 | archconceptsllc.com

<https://www.archconceptsllc.com/cultured-marble/>

Page 4 of 4

Revised 03-02-20