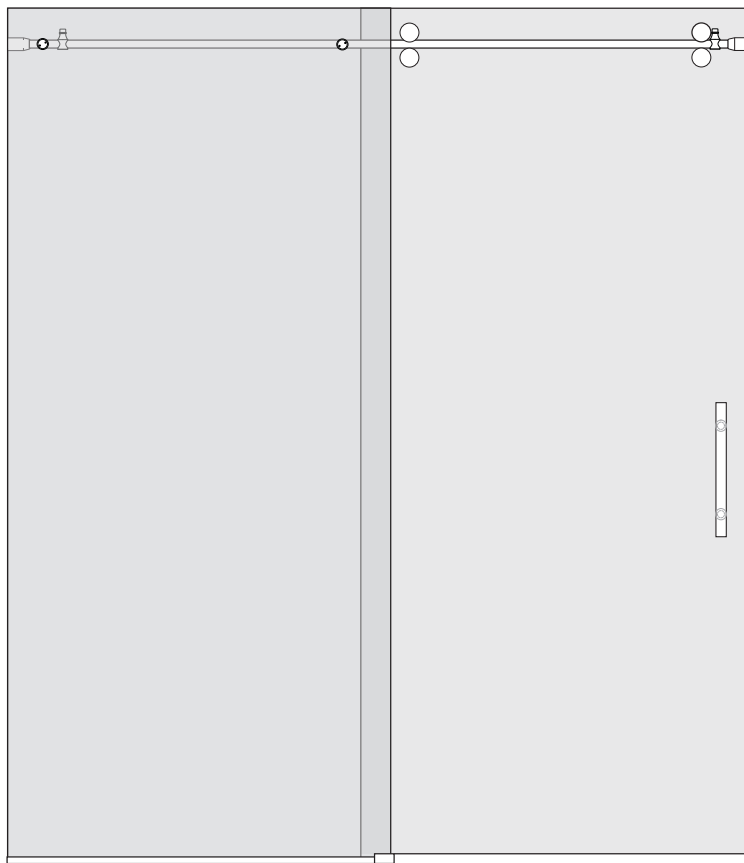


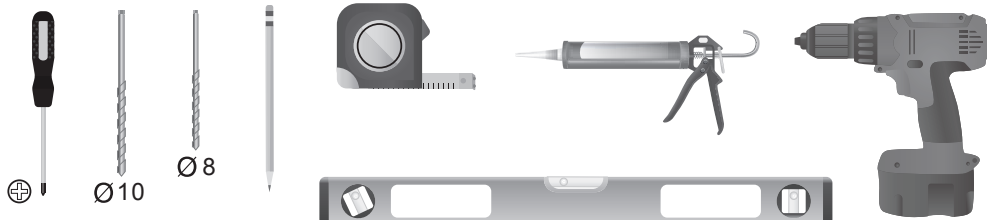


# NEWPORT GLASS SHOWER ENCLOSURE BARN DOOR INSTALLATION

## DIMENSIONS



## TOOLS REQUIRED



**Architectural Concepts**

O (888) 248 2724

D (720) 259 5358

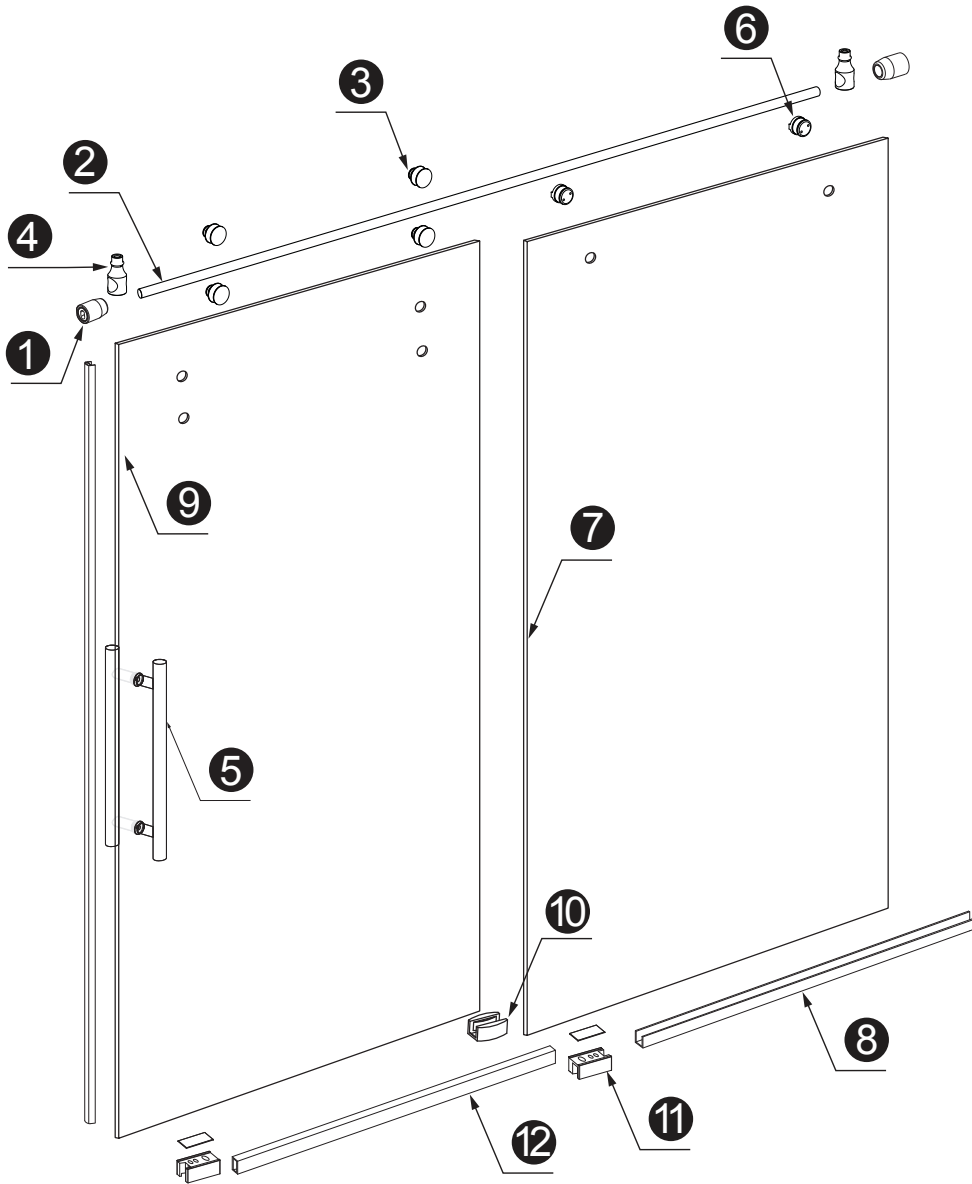
E [info@archconceptsllc.com](mailto:info@archconceptsllc.com)

18505 Longs Way  
Parker, CO 80134

[archconceptsllc.com](http://archconceptsllc.com)

# Newport Glass Shower Enclosure Barn Door Installation

## MATERIALS PROVIDED



- |             |              |              |              |             |             |             |             |
|-------------|--------------|--------------|--------------|-------------|-------------|-------------|-------------|
| <b>1</b> x2 | <b>2</b> x1  | <b>3</b> x4  | <b>4</b> x2  | <b>5</b> x1 | <b>6</b> x2 | <b>7</b> x1 | <b>8</b> x1 |
| <b>9</b> x1 | <b>10</b> x1 | <b>11</b> x2 | <b>12</b> x1 | x2          | x2          | x2          | x2          |
|             |              |              |              | M10         | M10x30      | ST4.8x32    | Ø8          |



### Architectural Concepts

(888) 248 2724 | (720) 259 5358 | info@archconceptsllc.com | 18505 Longs Way, Parker, CO 80134 | archconceptsllc.com

<https://www.archconceptsllc.com/products/shower-enclosures/sliding-barn-door/>

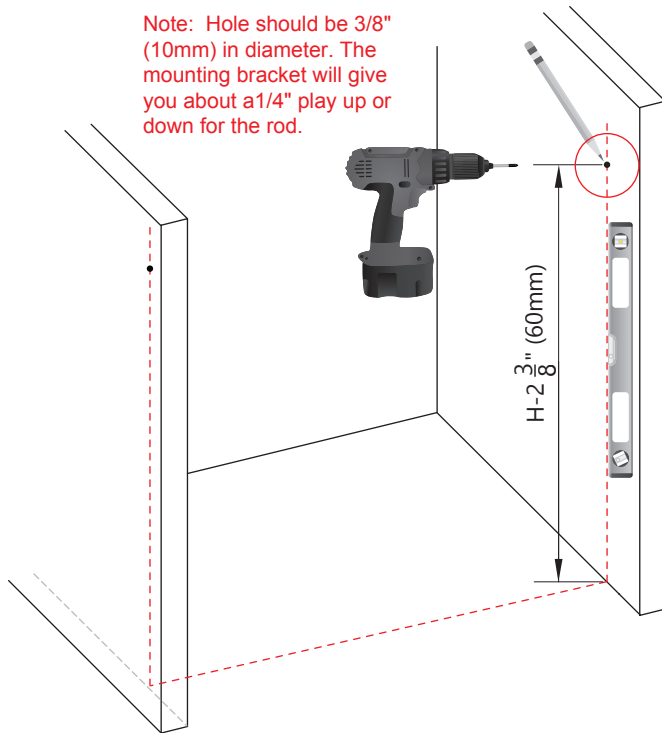
Page 2 of 6

Revised 05-16-23

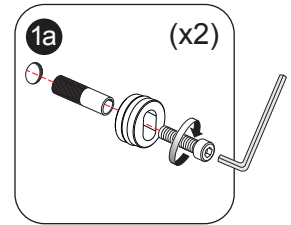
# Newport Glass Shower Enclosure Barn Door Installation

## STEP 1

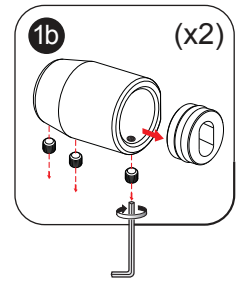
Note: Hole should be 3/8" (10mm) in diameter. The mounting bracket will give you about a 1/4" play up or down for the rod.



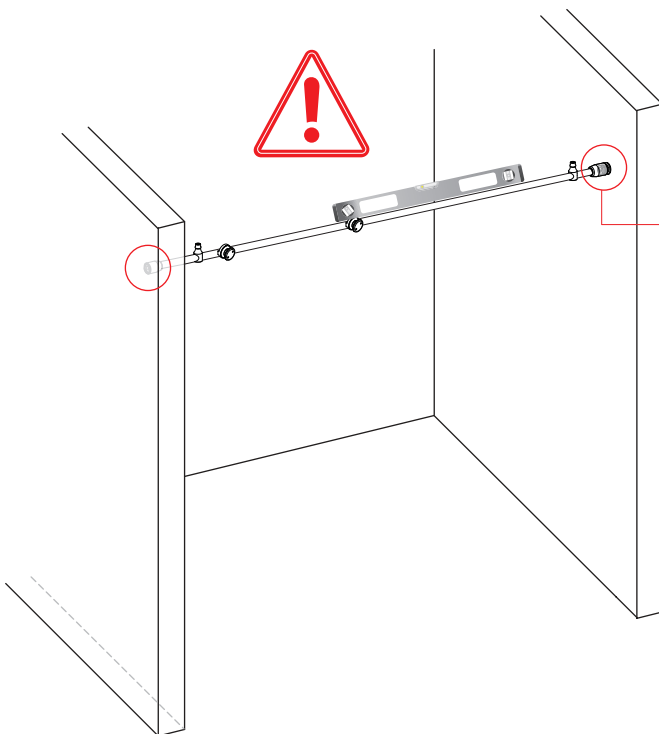
! Ensure that there is proper blocking for expansion bolts to mount through. If not, the expansion bolts will not grip.



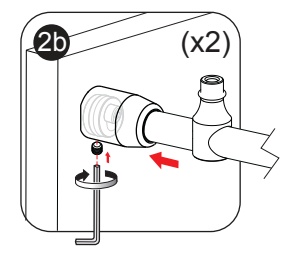
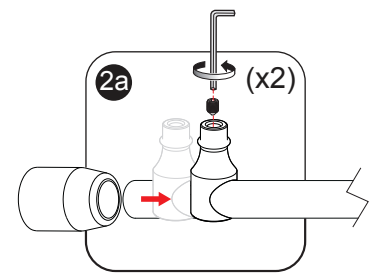
Provide thread-lock glue (Loc-Tite)



## STEP 2



! Make sure that the flat side of rod mount faces the shower side to allow glass panel door to fully operate.



**Architectural Concepts**

(888) 248 2724 | (720) 259 5358 | info@archconceptsllc.com | 18505 Longs Way, Parker, CO 80134 | archconceptsllc.com

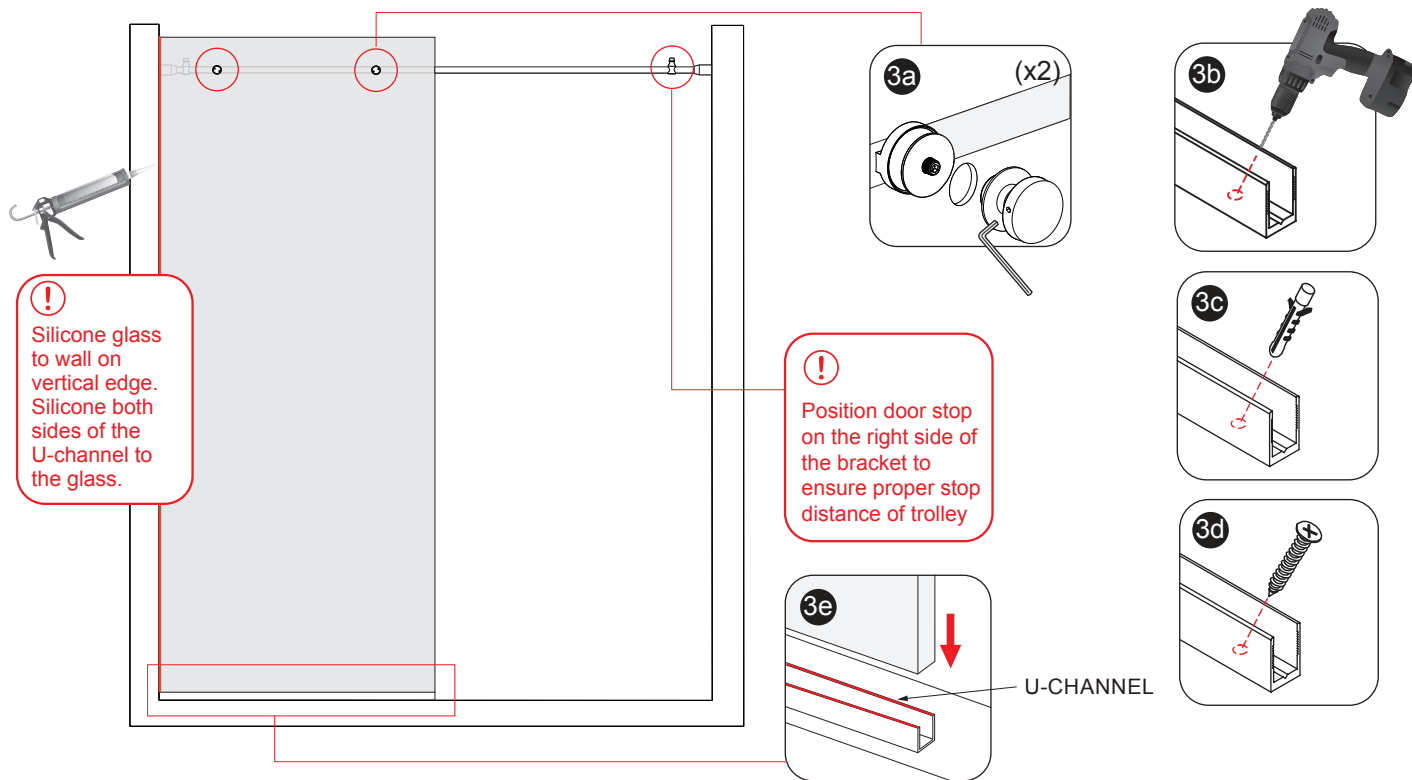
<https://www.archconceptsllc.com/products/shower-enclosures/sliding-barn-door/>

Page 3 of 6

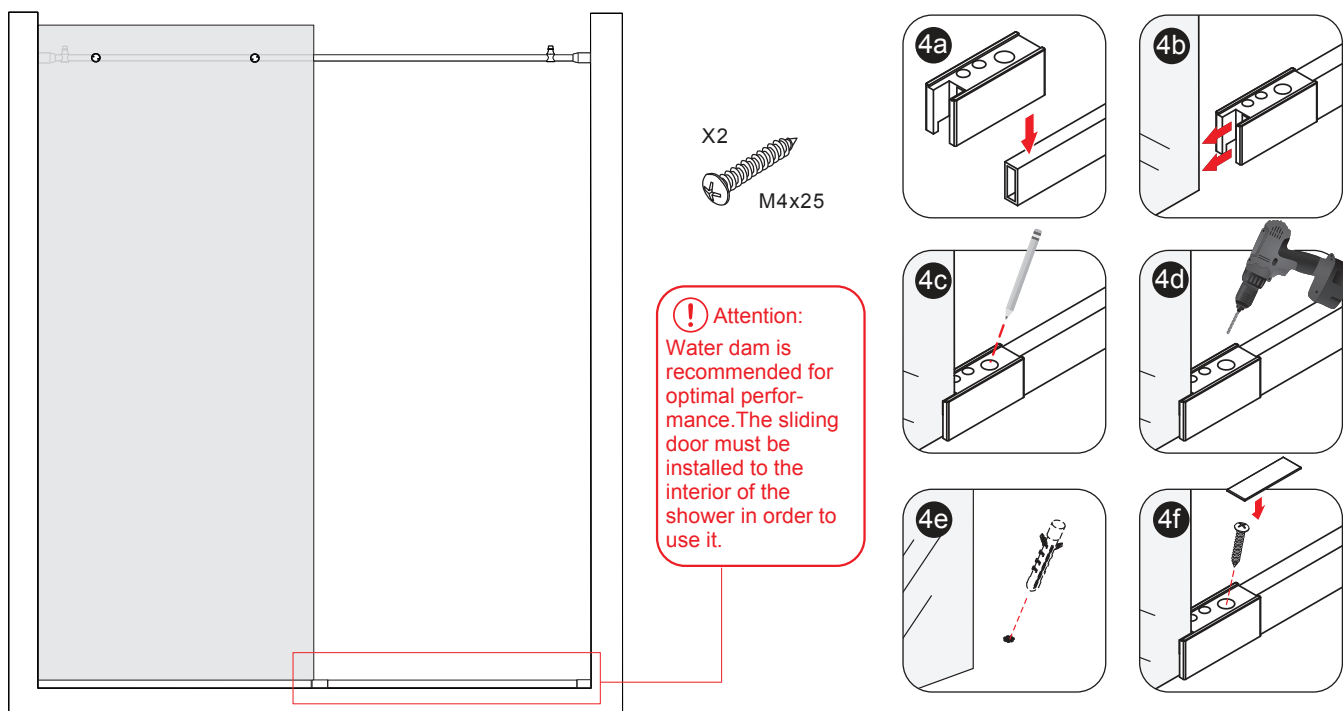
Revised 05-16-23

# Newport Glass Shower Enclosure Barn Door Installation

## STEP 3



## STEP 4



**Architectural Concepts**

(888) 248 2724 | (720) 259 5358 | info@archconceptsllc.com | 18505 Longs Way, Parker, CO 80134 | archconceptsllc.com

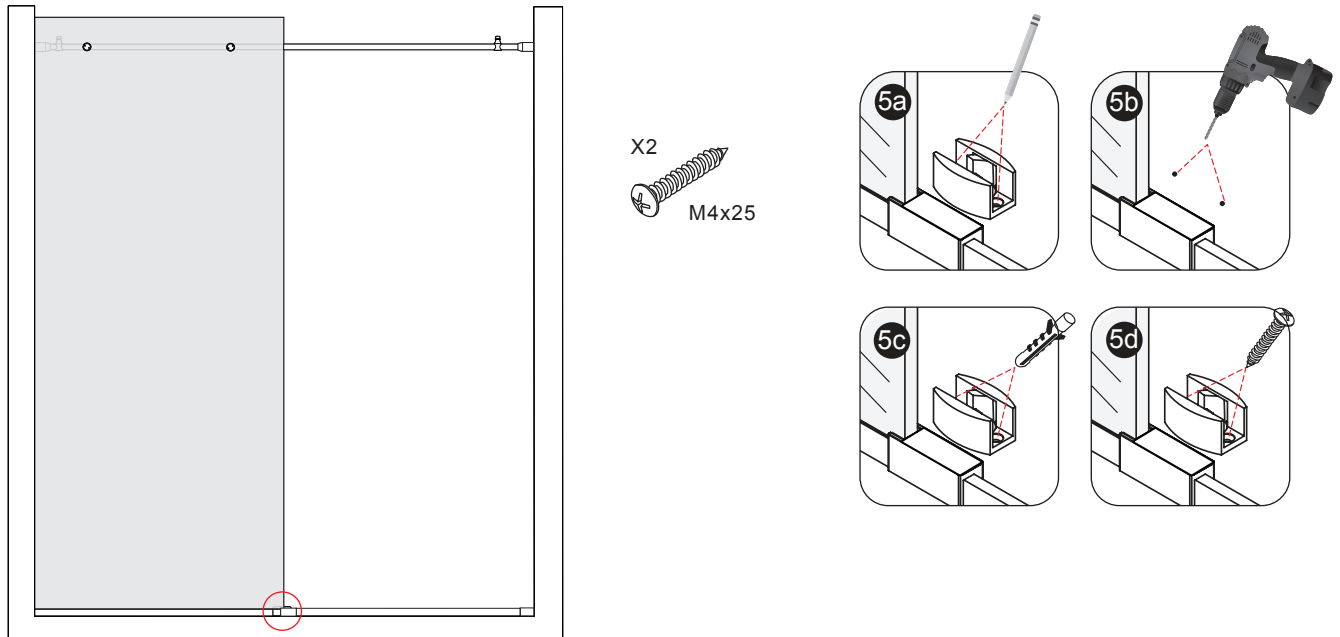
<https://www.archconceptsllc.com/products/shower-enclosures/sliding-barn-door/>

Page 4 of 6

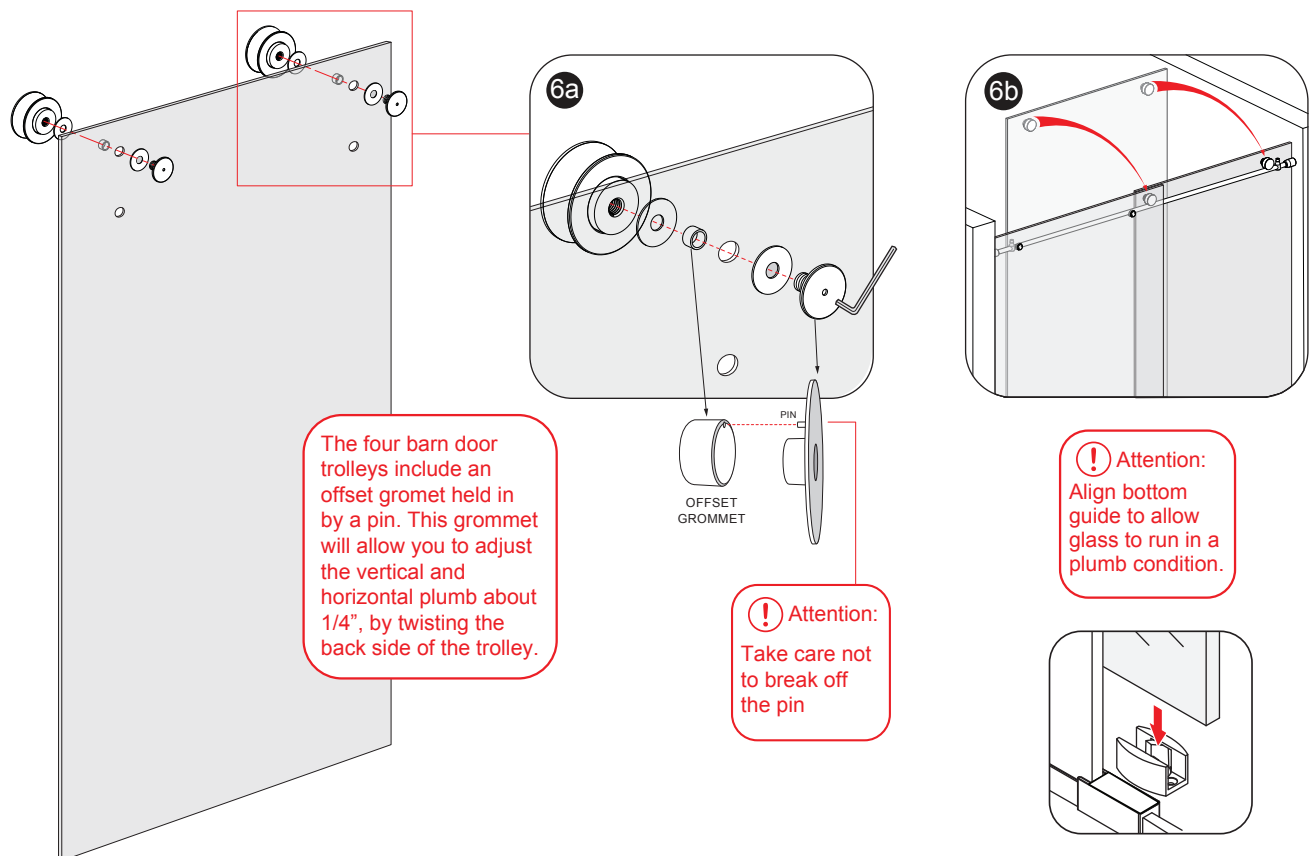
Revised 05-16-23

# Newport Glass Shower Enclosure Barn Door Installation

## STEP 5



## STEP 6



**Architectural Concepts**

(888) 248 2724 | (720) 259 5358 | info@archconceptsllc.com | 18505 Longs Way, Parker, CO 80134 | archconceptsllc.com

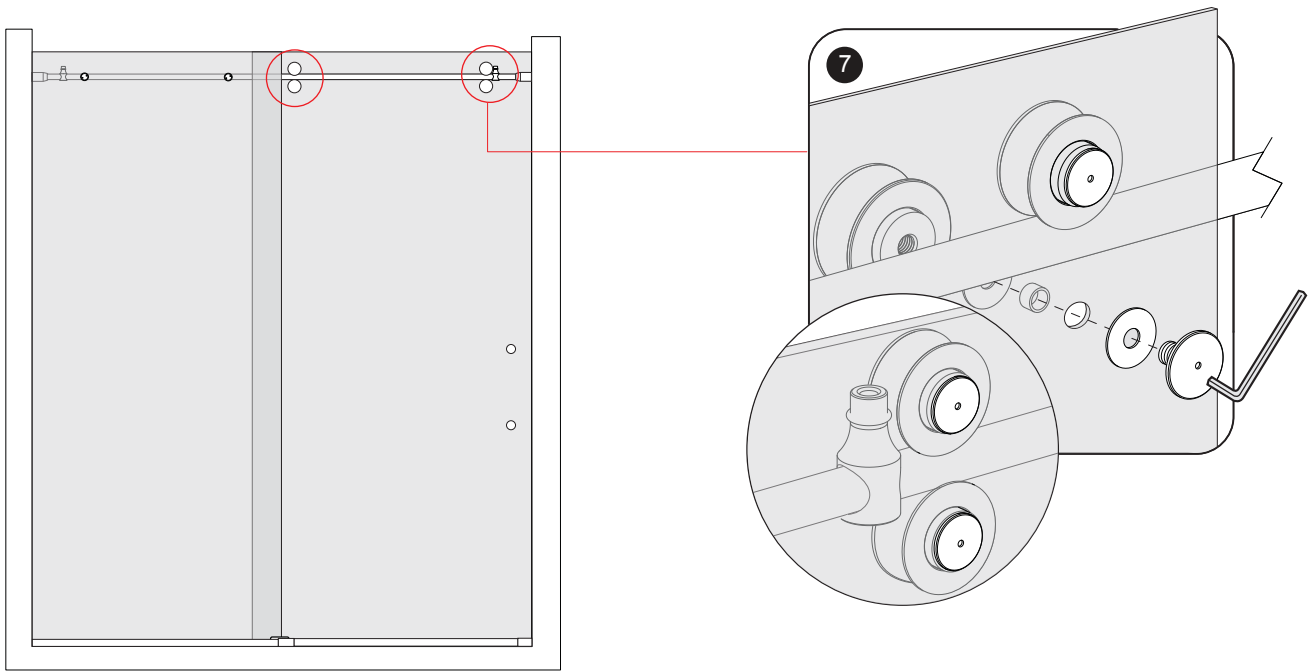
<https://www.archconceptsllc.com/products/shower-enclosures/sliding-barn-door/>

Page 5 of 6

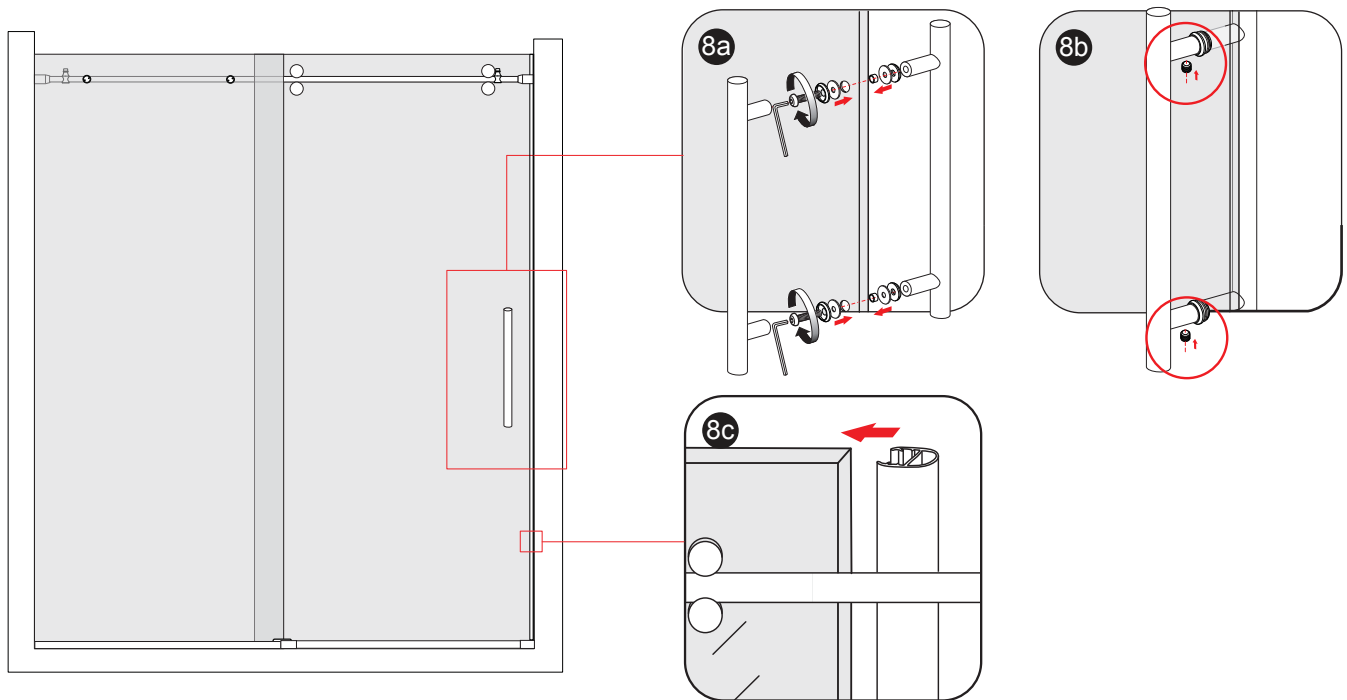
Revised 05-16-23

# Newport Glass Shower Enclosure Barn Door Installation

## STEP 7



## STEP 8



**Architectural Concepts**

(888) 248 2724 | (720) 259 5358 | [info@archconceptsllc.com](mailto:info@archconceptsllc.com) | 18505 Longs Way, Parker, CO 80134 | [archconceptsllc.com](http://archconceptsllc.com)

<https://www.archconceptsllc.com/products/shower-enclosures/sliding-barn-door/>

Page 6 of 6

Revised 05-16-23