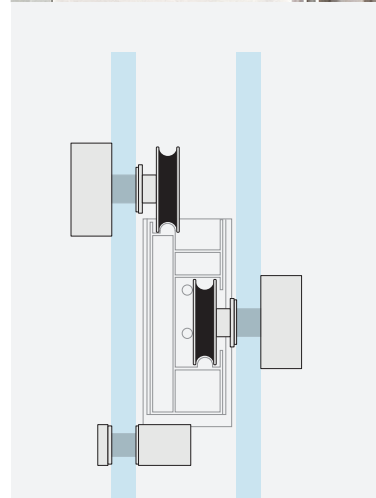
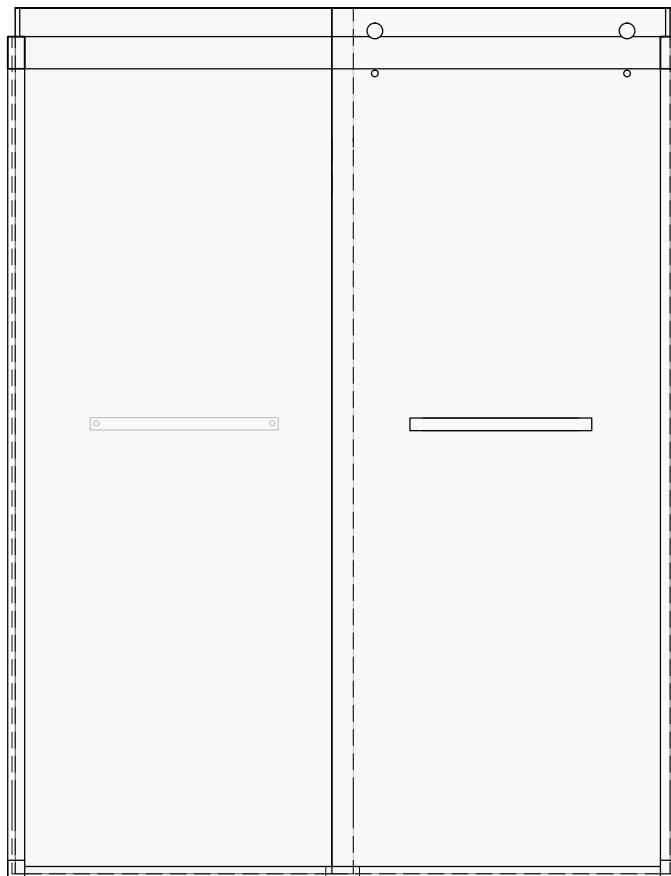


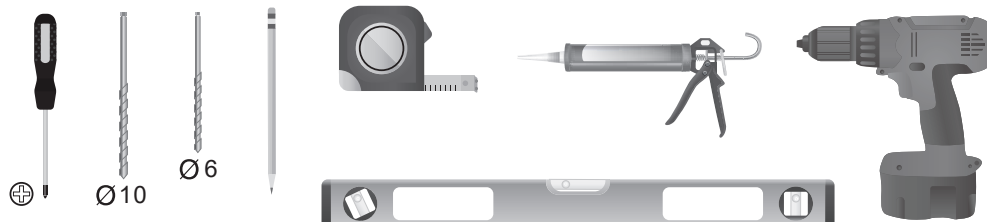


PASADENA GLASS SHOWER ENCLOSURE BY-PASS DOOR INSTALLATION

DIMENSIONS



TOOLS REQUIRED



Architectural Concepts

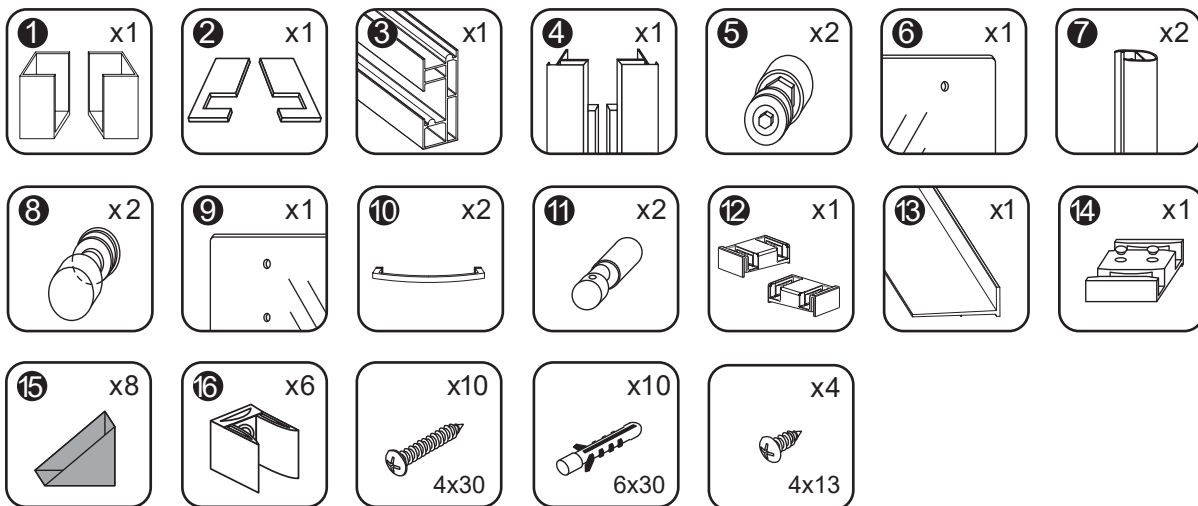
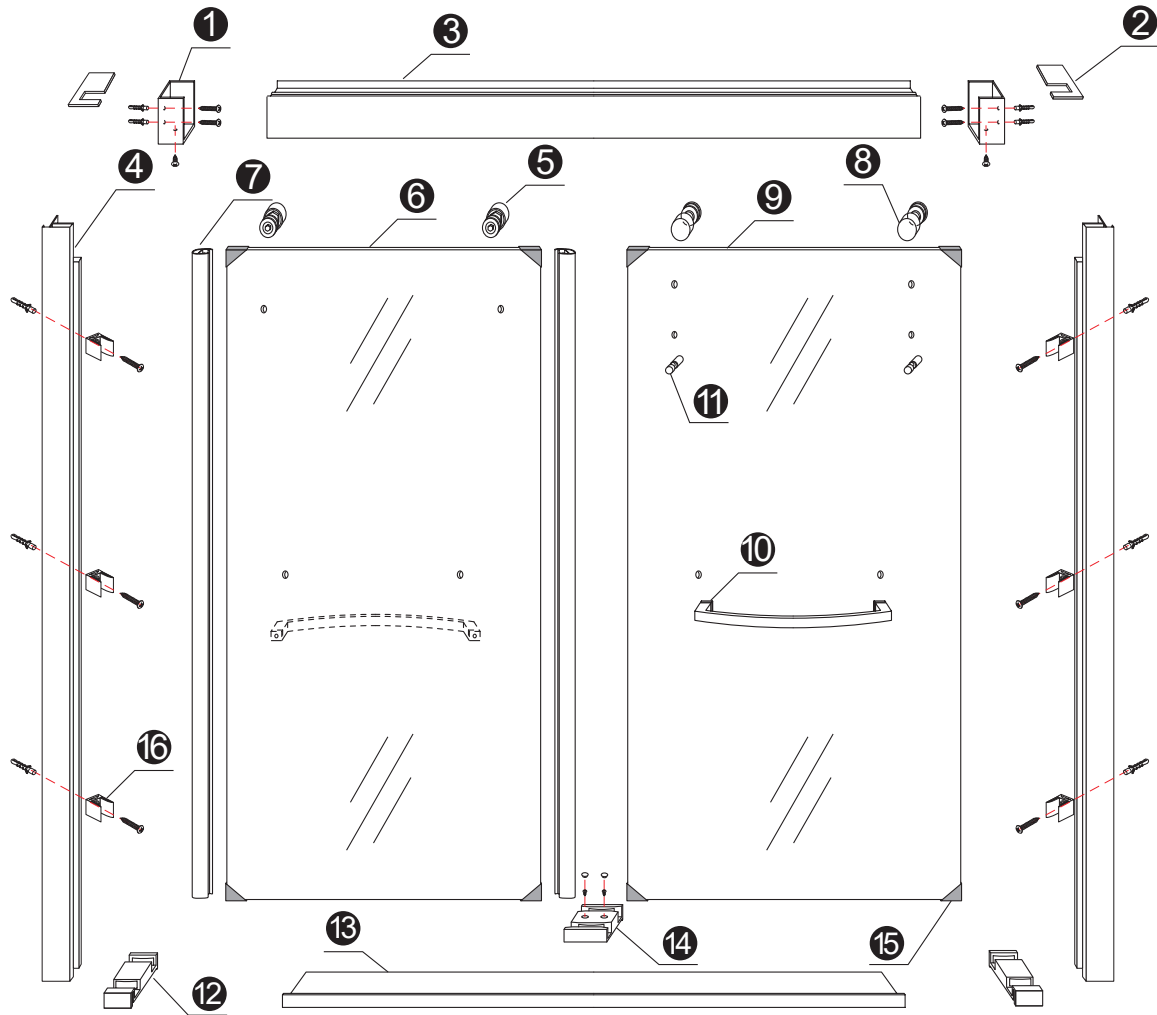
O (888) 248 2724
D (720) 259 5358
E info@archconceptsllc.com

18505 Longs Way
Parker, CO 80134

archconceptsllc.com

Pasadena Glass Shower Enclosure By-Pass Door Installation

MATERIALS PROVIDED



Architectural Concepts

(888) 248 2724 | (720) 259 5358 | info@archconceptsllc.com | 18505 Longs Way, Parker, CO 80134 | archconceptsllc.com

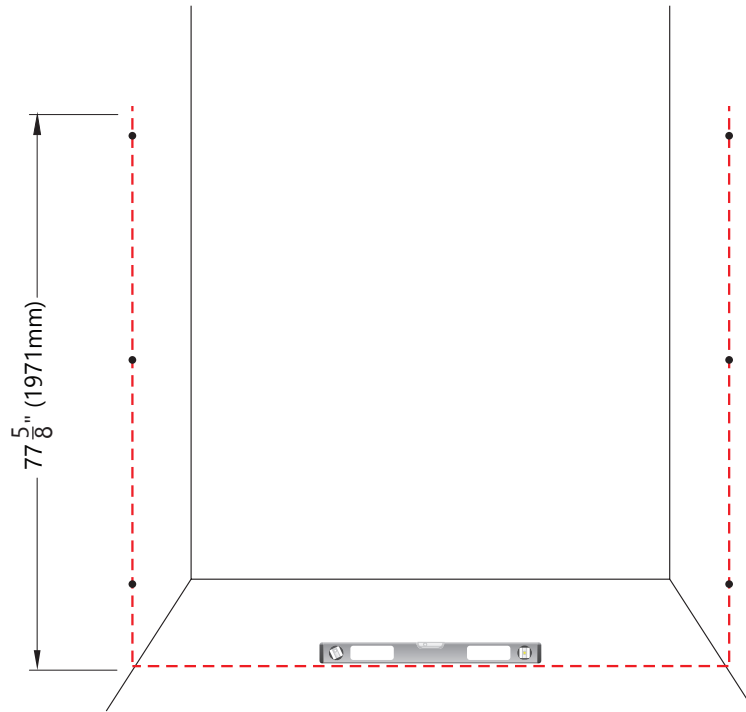
<https://www.archconceptsllc.com/products/shower-enclosures/sliding-by-pass/>

Page 2 of 7

Revised 02-25-22

Pasadena Glass Shower Enclosure By-Pass Door Installation

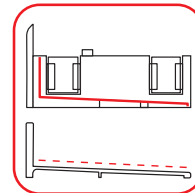
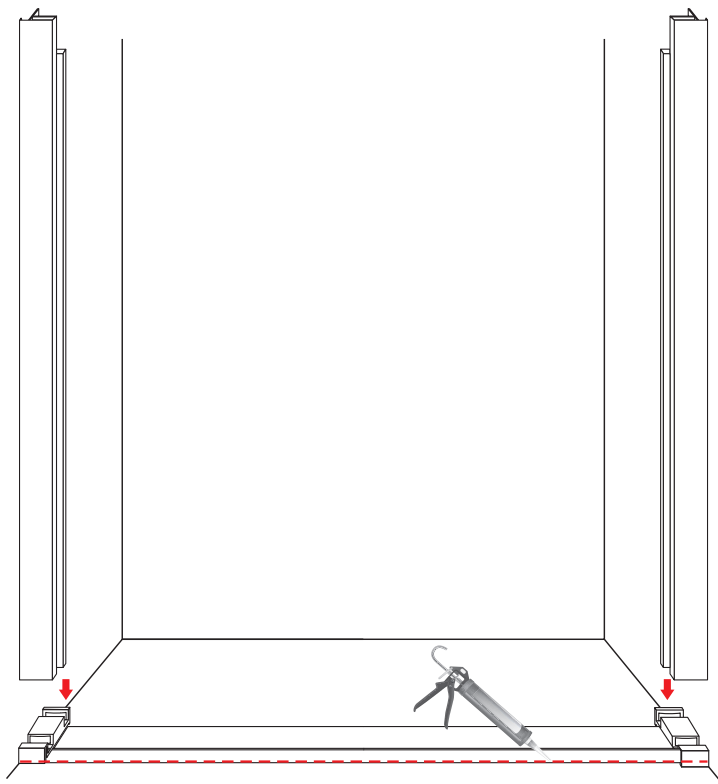
STEP 1



⚠ Attention:
Make sure
jamb is
installed plumb

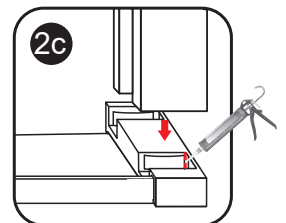
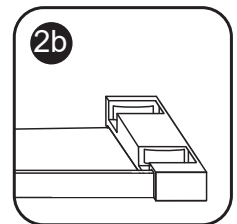
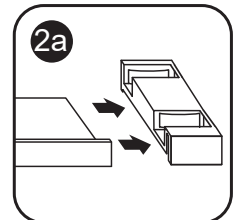
⚠ Attention:
If curb/base is out
of level more than
1/4", shim as
required for
proper adjustment

STEP 2



⚠ Attention:
Note the slope
alignment when
sliding on guider

⚠ Attention:
Silicone inside of
corner prior to
jamb installation
Silicone under sill
prior to installation



Architectural Concepts

(888) 248 2724 | (720) 259 5358 | info@archconceptsllc.com | 18505 Longs Way, Parker, CO 80134 | archconceptsllc.com

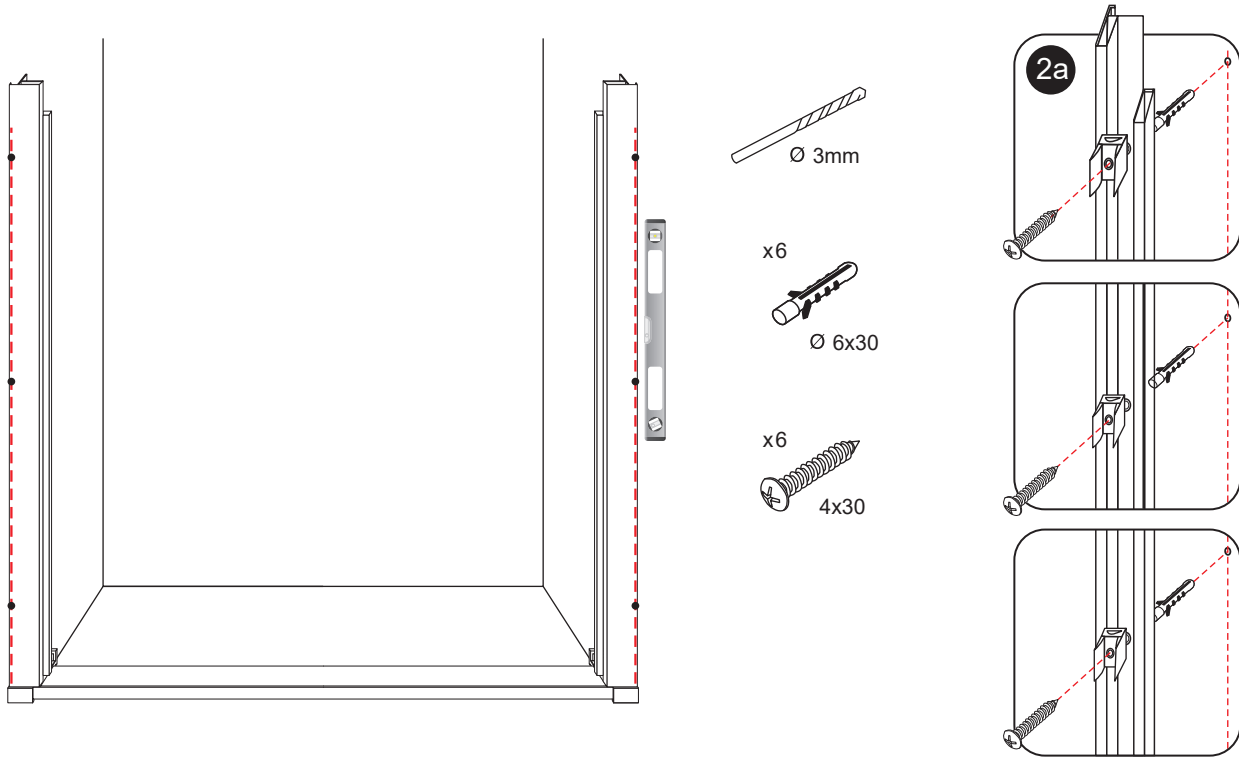
<https://www.archconceptsllc.com/products/shower-enclosures/sliding-by-pass/>

Page 3 of 7

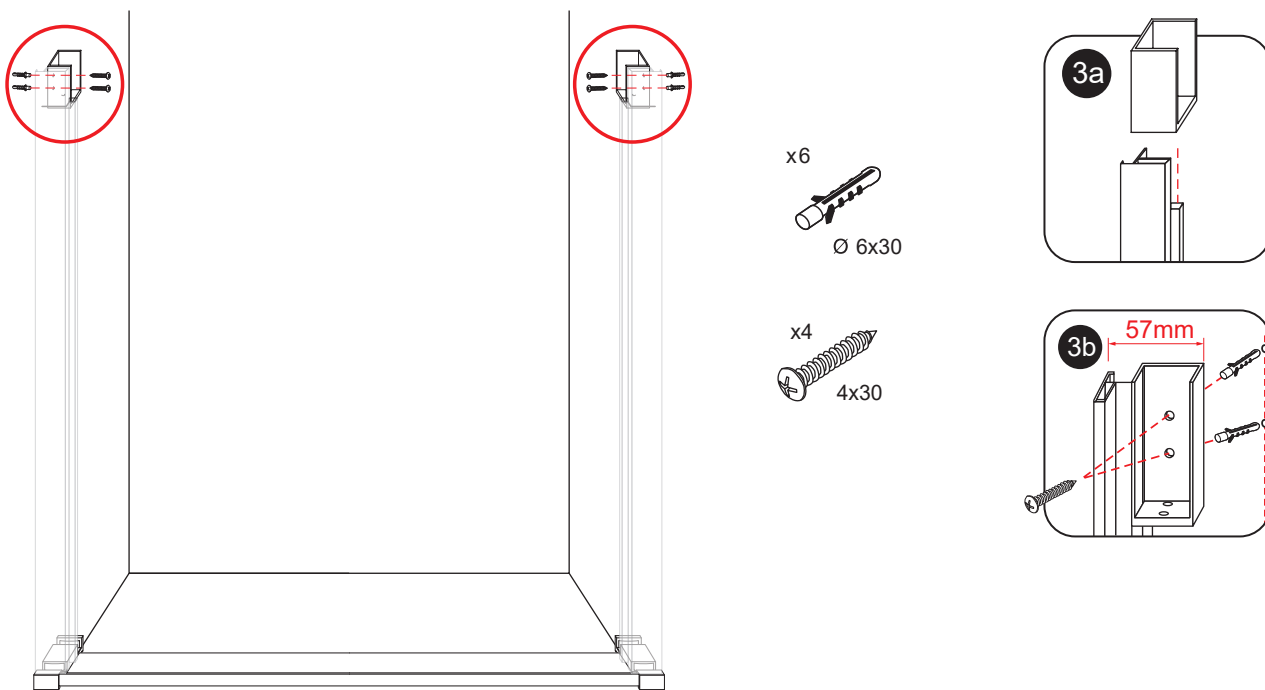
Revised 02-25-22

Pasadena Glass Shower Enclosure By-Pass Door Installation

STEP 2



STEP 3



Architectural Concepts

(888) 248 2724 | (720) 259 5358 | info@archconceptsllc.com | 18505 Longs Way, Parker, CO 80134 | archconceptsllc.com

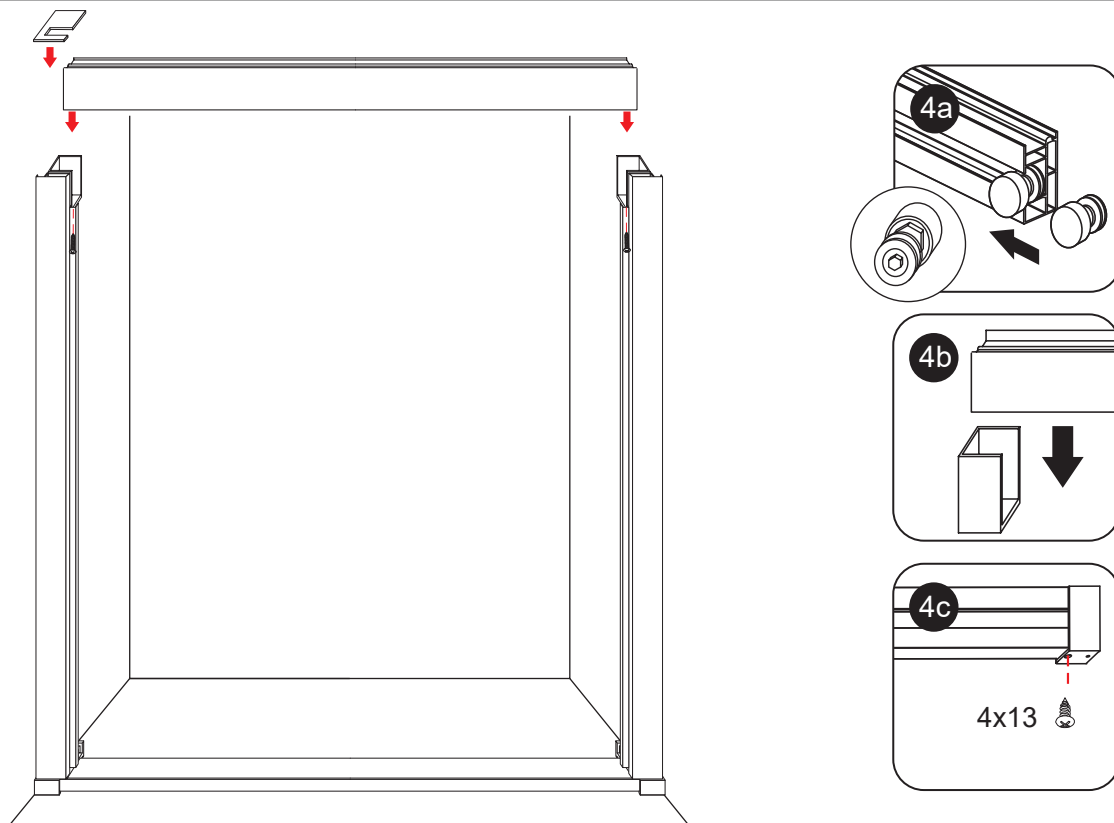
<https://www.archconceptsllc.com/products/shower-enclosures/sliding-by-pass/>

Page 4 of 7

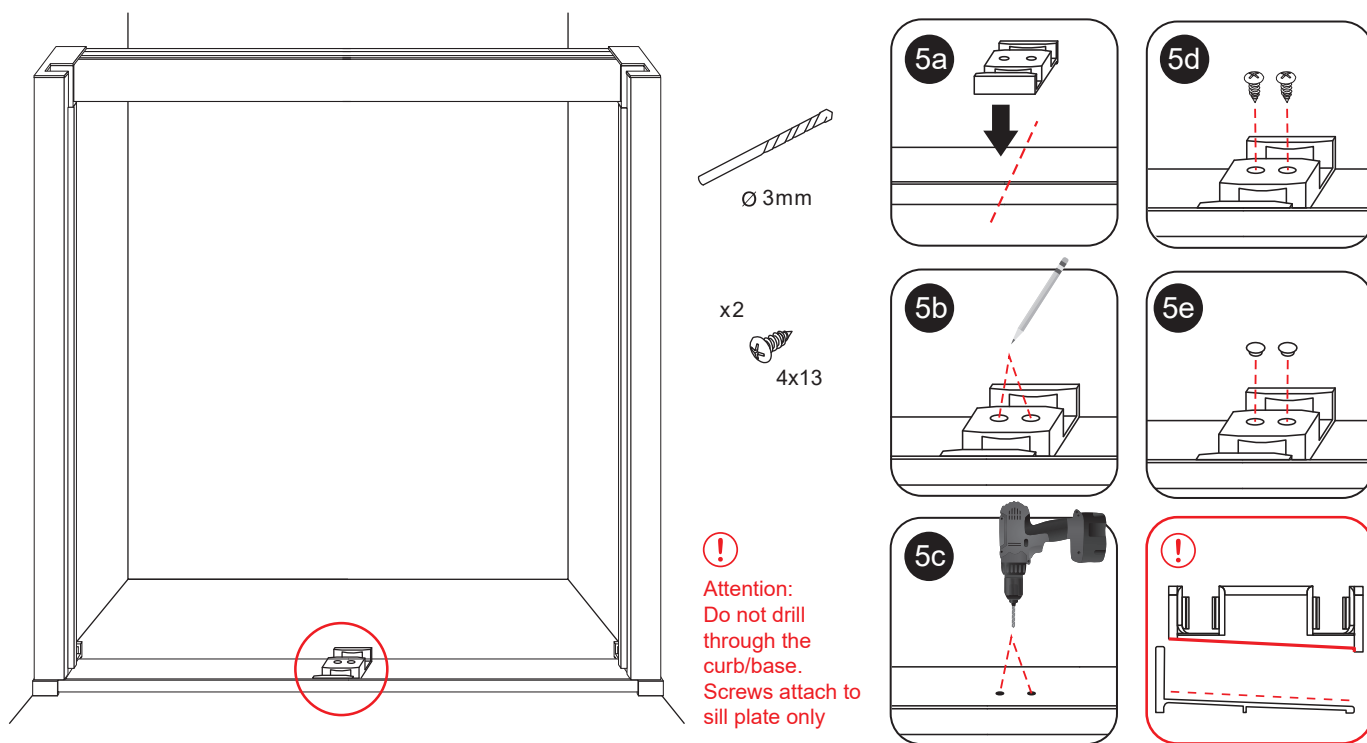
Revised Revised 02-25-22

Pasadena Glass Shower Enclosure By-Pass Door Installation

STEP 4



STEP 5



Architectural Concepts

(888) 248 2724 | (720) 259 5358 | info@archconceptsllc.com | 18505 Longs Way, Parker, CO 80134 | archconceptsllc.com

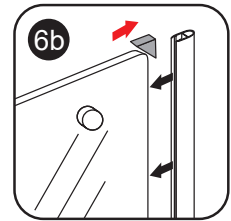
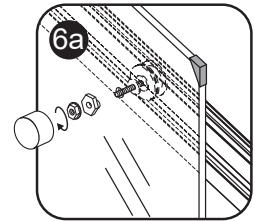
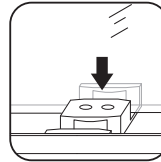
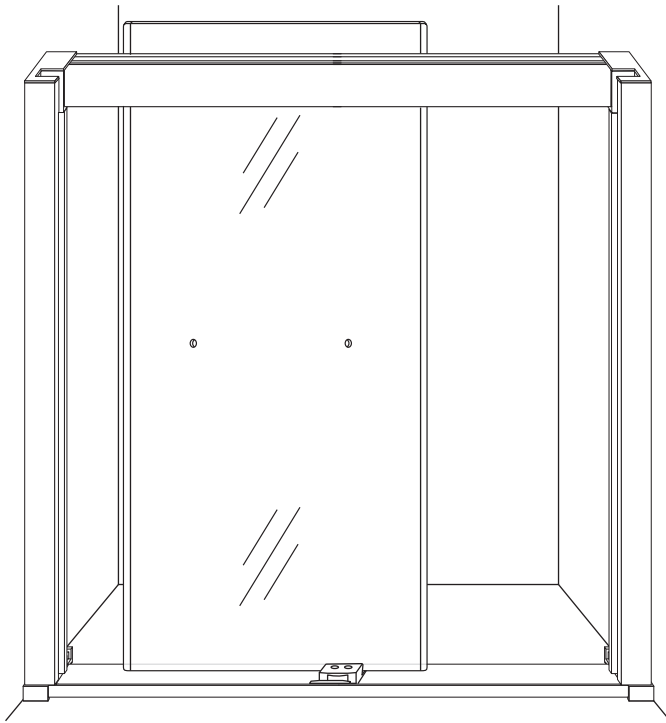
<https://www.archconceptsllc.com/products/shower-enclosures/sliding-by-pass/>

Page 5 of 7

Revised 02-25-22

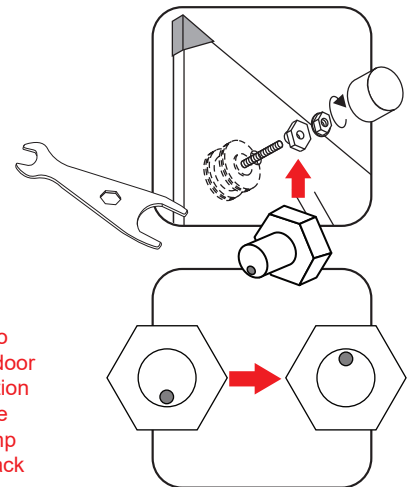
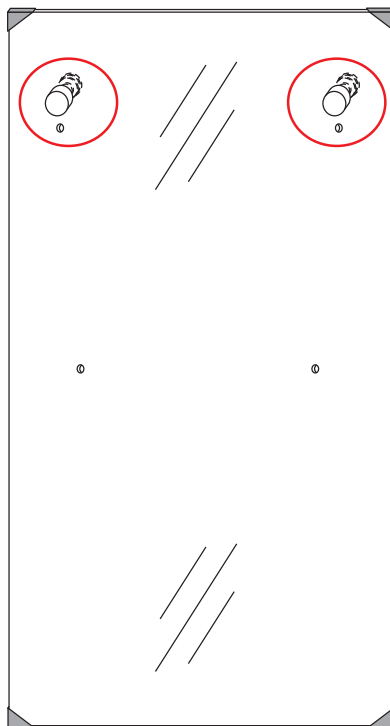
Pasadena Glass Shower Enclosure By-Pass Door Installation

STEP 6



Attention: Do not remove the black corner protector until the glass is on the track to prevent breakage

STEP 7



Attention: Adjustment nut to raise and lower door for proper operation and limited space between anti-jump and bottom of track



Architectural Concepts

(888) 248 2724 | (720) 259 5358 | info@archconceptsllc.com | 18505 Longs Way, Parker, CO 80134 | archconceptsllc.com

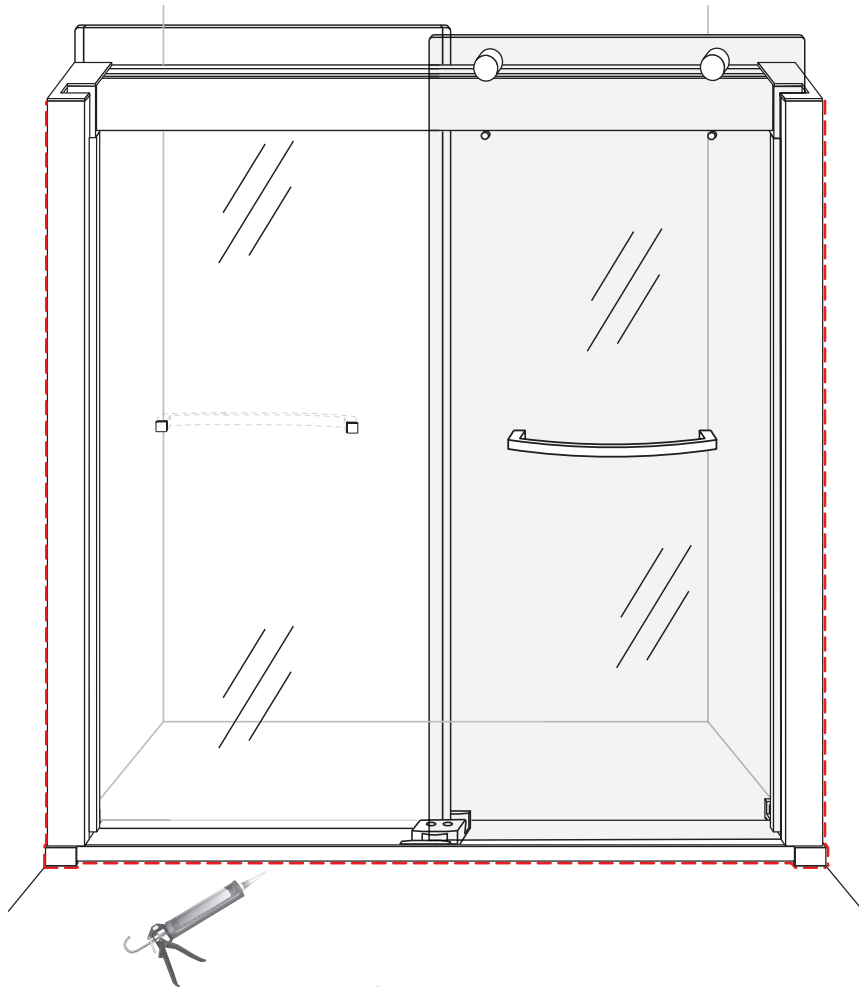
<https://www.archconceptsllc.com/products/shower-enclosures/sliding-by-pass/>

Page 6 of 7

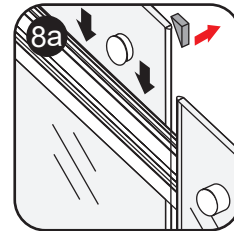
Revised 02-25-22

Pasadena Glass Shower Enclosure By-Pass Door Installation

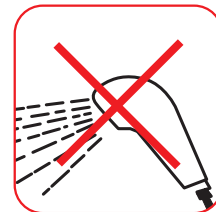
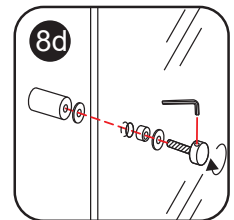
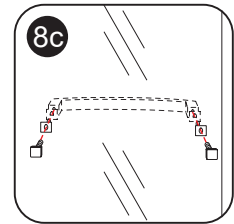
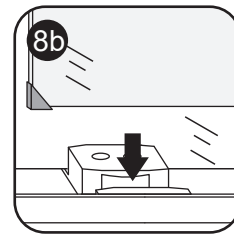
STEP 8



⚠
Apply silicone sealant to prevent leakage



⚠
Attention: Do not remove the black corner protector until the glass is on the track to prevent breakage



24 hours



Architectural Concepts

(888) 248 2724 | (720) 259 5358 | info@archconceptsllc.com | 18505 Longs Way, Parker, CO 80134 | archconceptsllc.com

<https://www.archconceptsllc.com/products/shower-enclosures/sliding-by-pass/>

Page 7 of 7

Revised 02-25-22