



36 X 60 OFF-SET TRENCH DRAIN

Cultured Marble Shower Pan

PRODUCT: Shower Pan

SERIES: Trench Drain

MODEL: AC-TDOS3660T3

APPLICATION: Shower Base

DIMENSIONS: 36" (91cm) Deep x 60" (152cm) Long x 4" (10cm) Tall
Drain Centered at 15" (38cm), Trench Width 4.5" (11.4cm)
Threshold Width 3" (7.6cm), 1.25" (3cm) & 1" (3cm)

COLOR: See Color Options Sheet

FINISH: Matte or Gloss

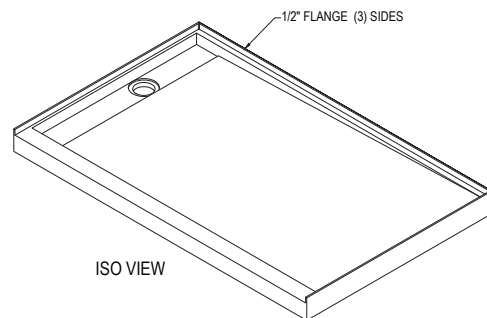
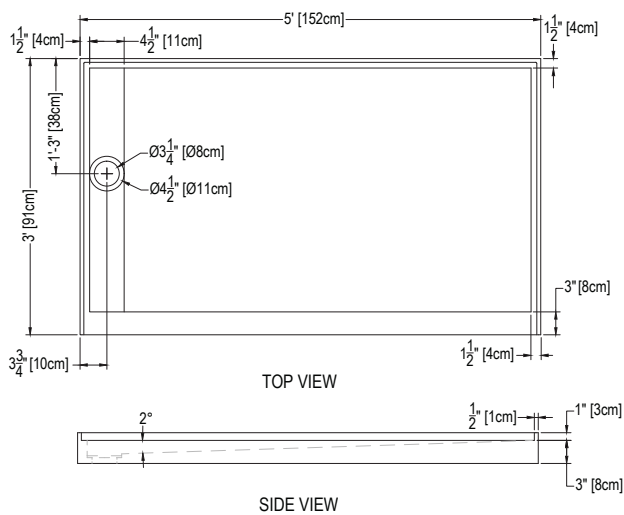
MATERIAL: Solid One-Piece Cultured Marble

INSTALLATION: Refer to Installation Guide

ATTRIBUTES: Permanently Sealed Surface
Textured Non-slip Finish
Mold, Mildew and Bacteria Resistance
Abrasion Resistant
Stainless Steel Solid or Perforated Drain Cover
Easy Install
Easy Maintenance
ASTM F 462 & CSA B45.5-11 IAPMO Z124-11 compliant



DIMENSIONS:



NOTE: PAN DIMENSIONS VARY $\pm 1/8"$

**Architectural
Concepts**

888.248.2724

720.259.5358

info@archconceptsllc.com

18505 Longs Way

Parker, CO 80134

archconceptsllc.com