

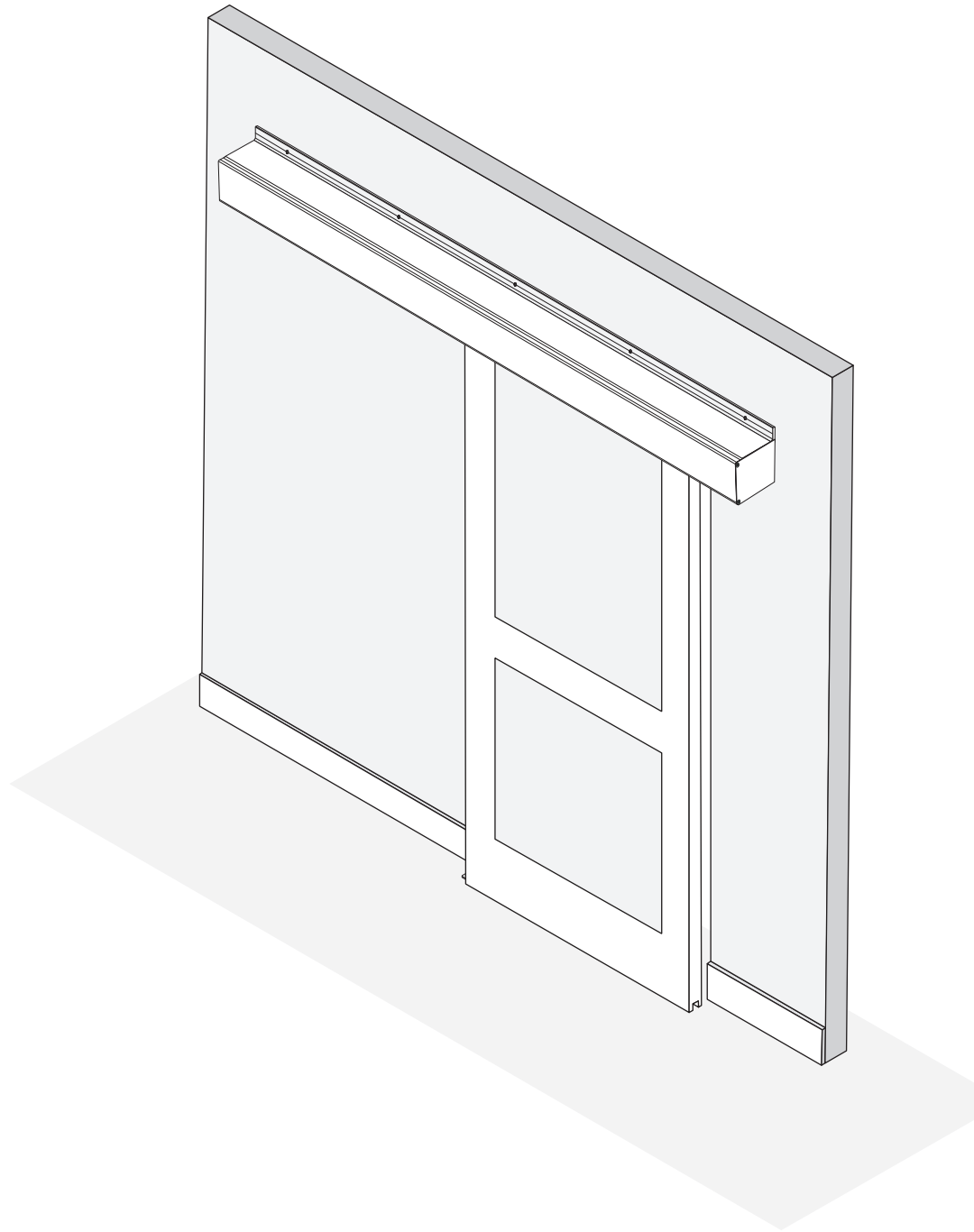
Architectural Concepts

ACCL80SC

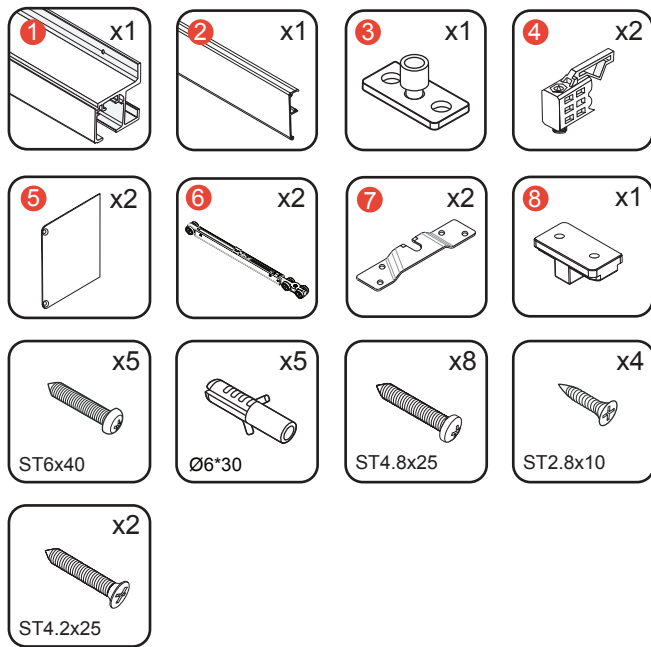
Barn Door Installation Instructions

78 3/4" (2 M) Track Length (pictured)
98 7/16" (2.5 M) Track Length

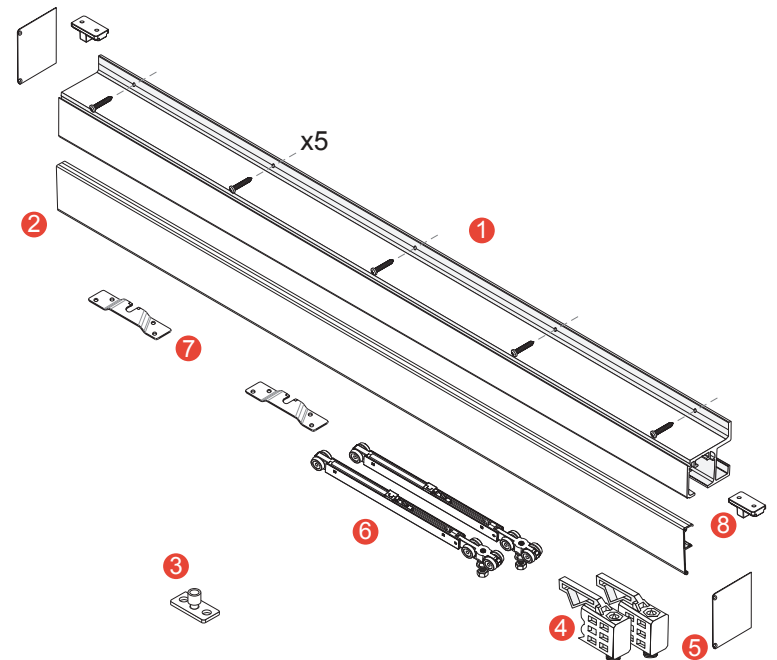
Dual-Soft Close
MINIMUM door size for application is
33 1/2" wide



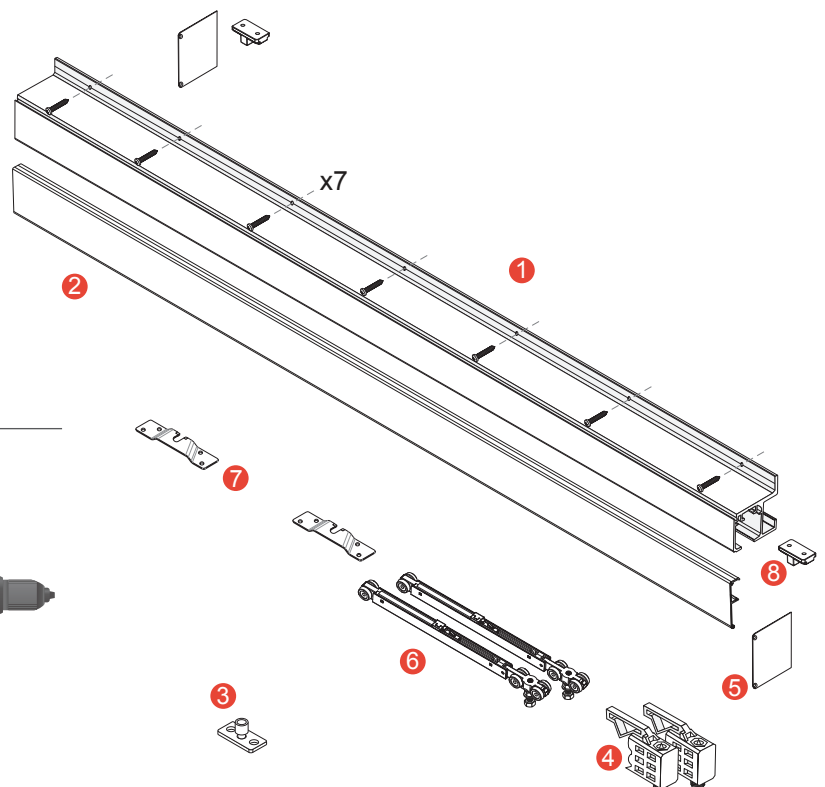
HARDWARE INCLUDED



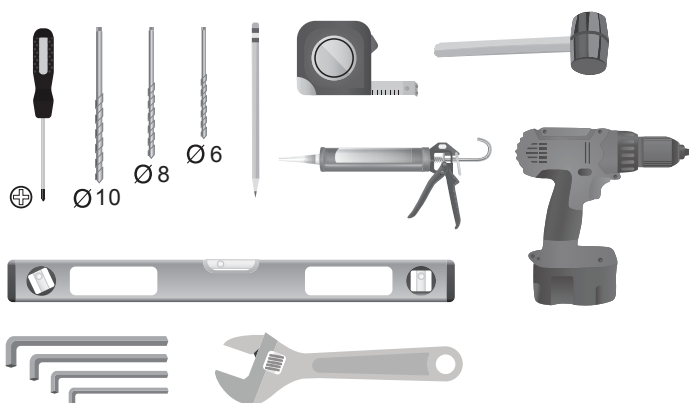
2M



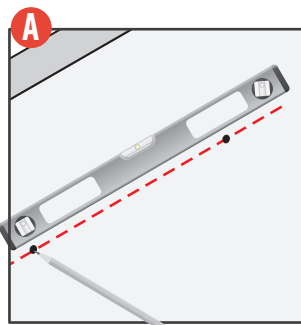
2.5M



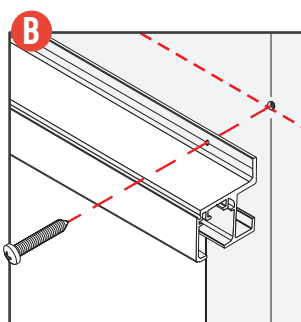
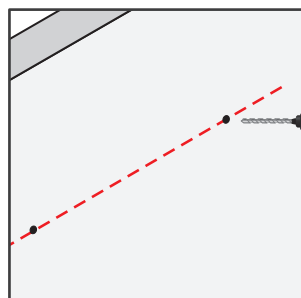
TOOLS NEEDED



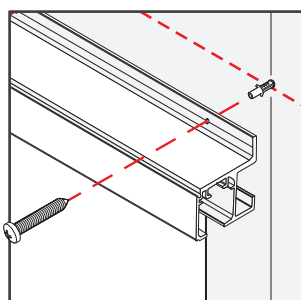
Step 1



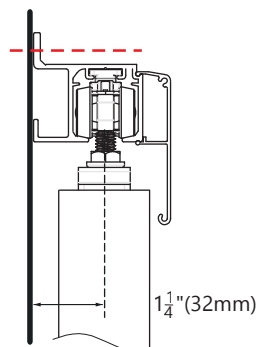
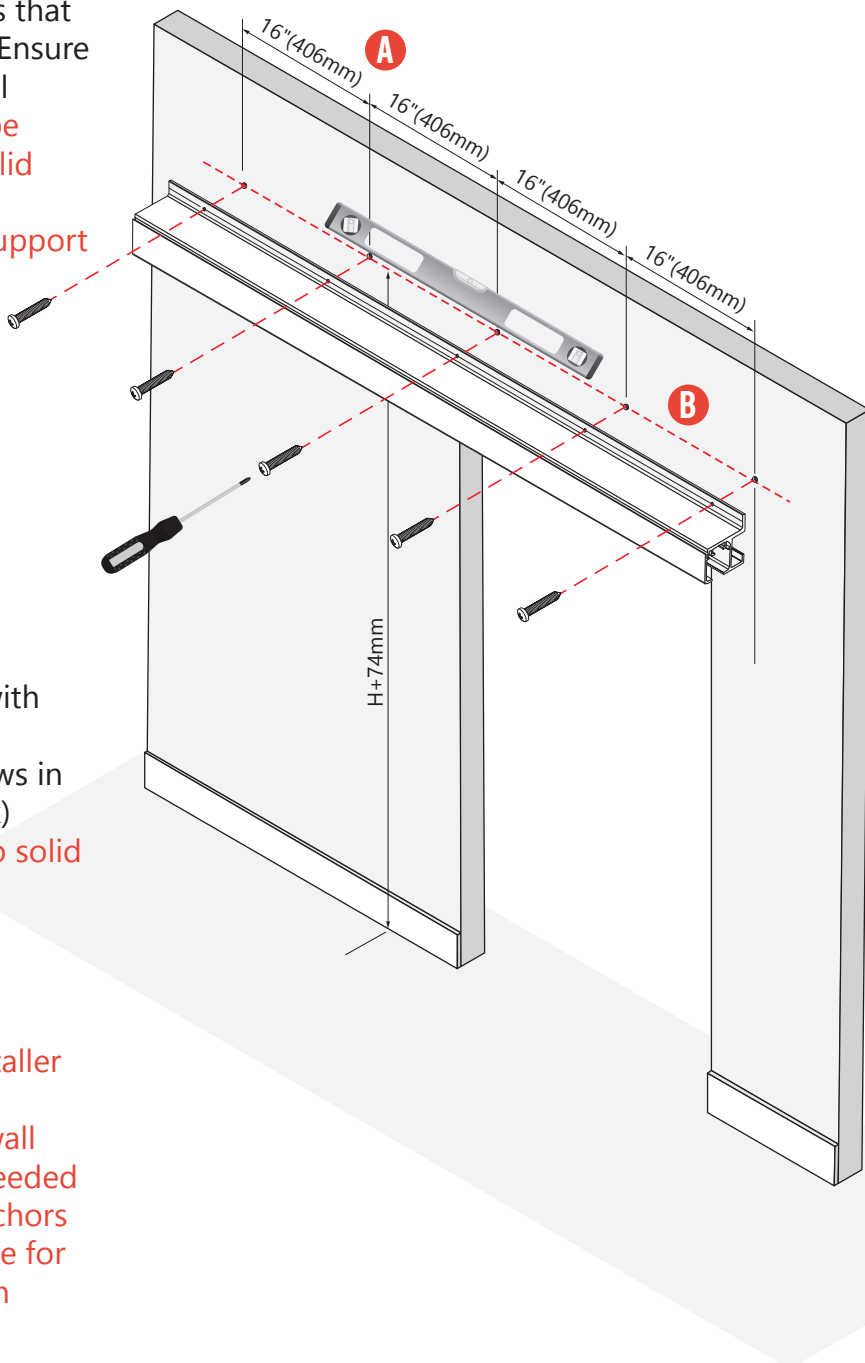
A.1
 Measure for position of wall mounts that are 16" apart. Ensure marks are level
 Track should be fastened to solid wood or steel blocking for support



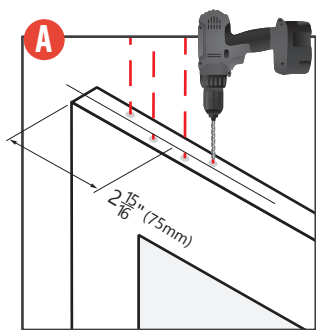
B.1
 Mount track with the 5 included screws (7 screws in the 2.5M track)
 ONLY install to solid blocking



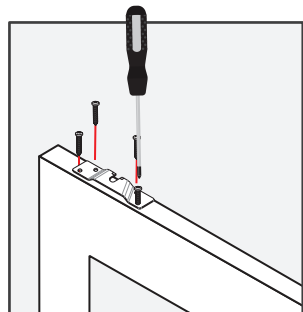
B.2
 If the field installer determines masonry/drywall anchors are needed ensure the anchors are appropriate for the application



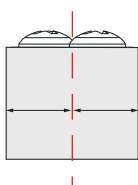
Step 2



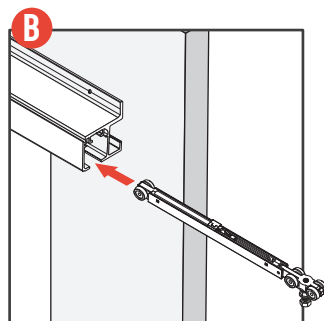
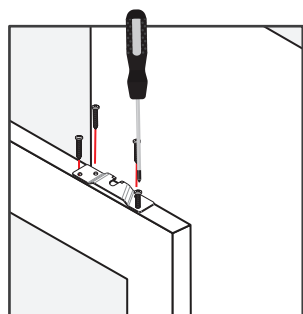
A.1
Measure and drill holes to mount trolley's on top of door. 75mm to center of bracket



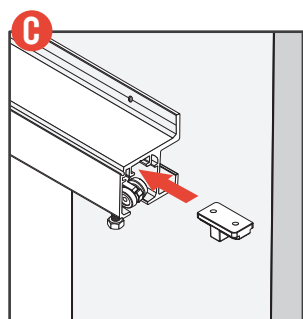
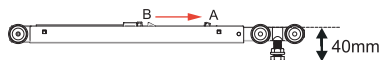
A.2
Mount left bracket to top of door



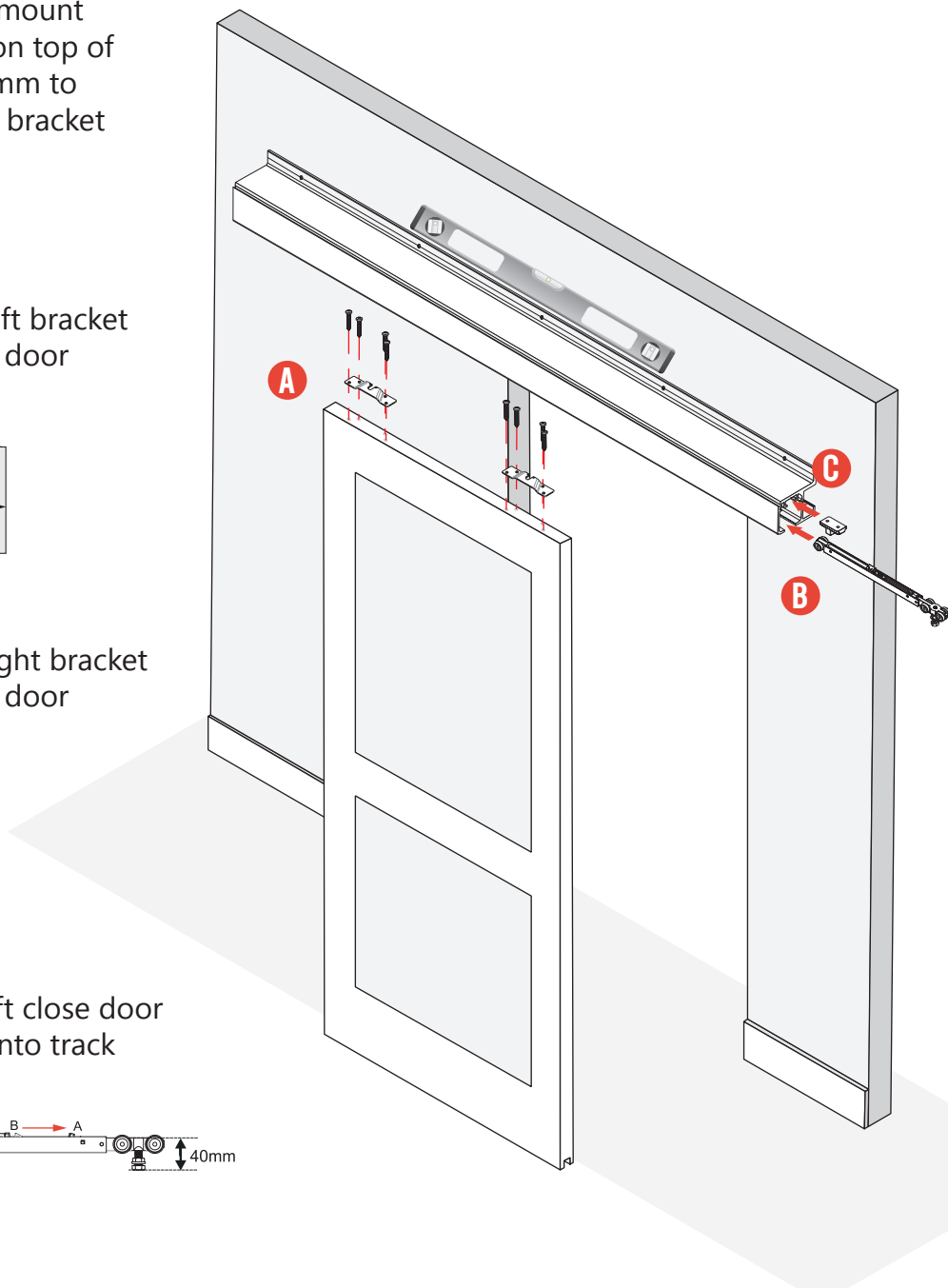
A.3
Mount right bracket to top of door



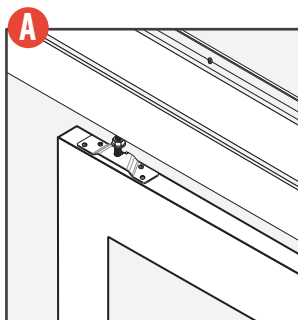
B.1
Insert soft close door mounts into track



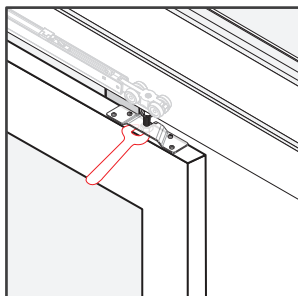
C.1
Slide trigger into top of track



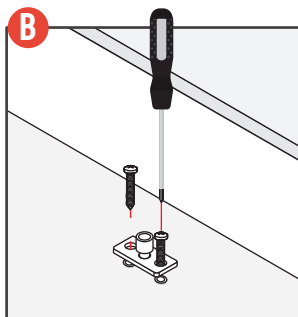
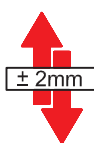
Step 3



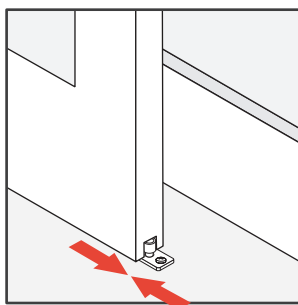
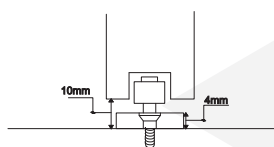
A.1
Mount door
Slide mounting plates
over exposed bolts
for connection to
hanger



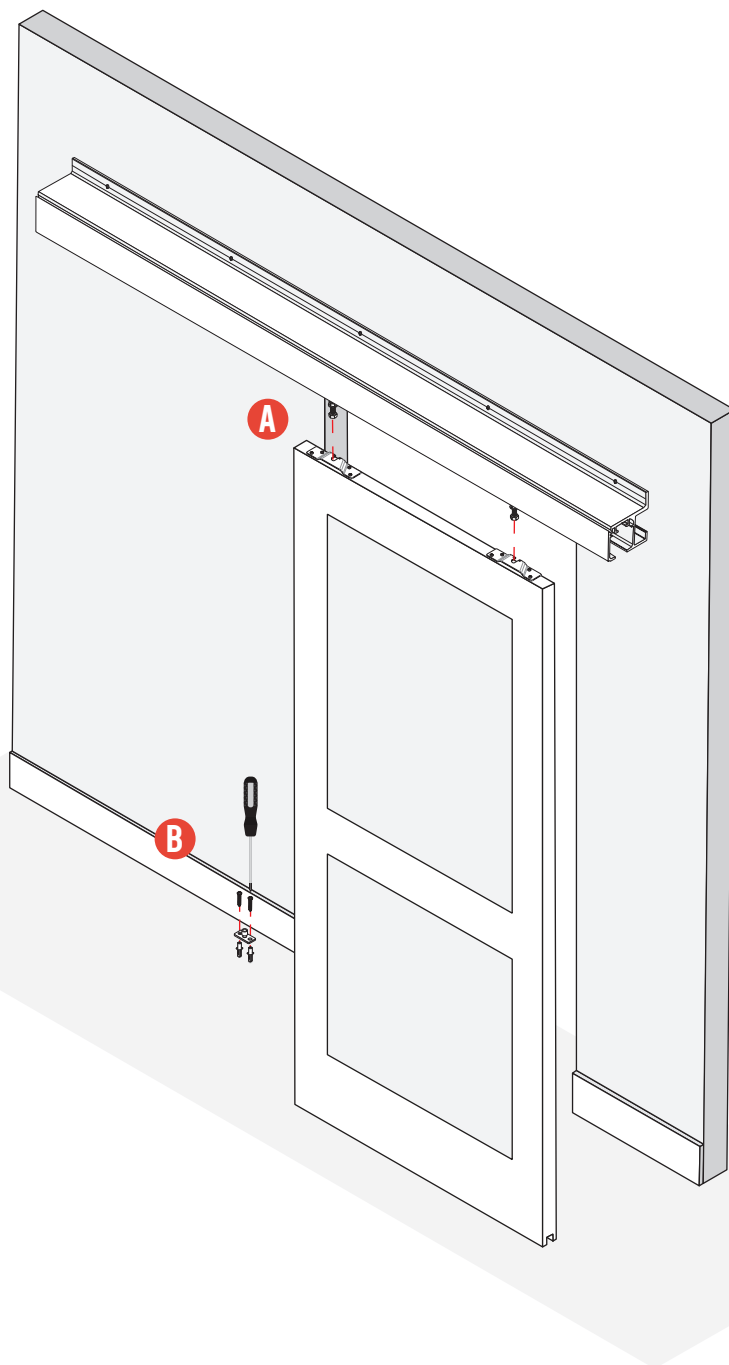
A.2
Tighten and adjust
for level



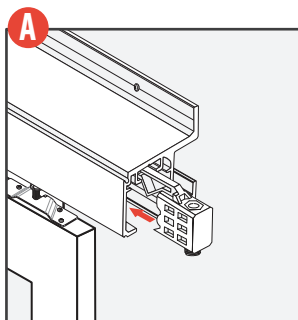
B.1
Position and mount
floor guide



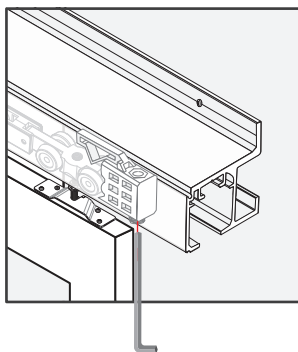
B.2
Ensure door
glides smoothly
back-and-forth
over floor guide



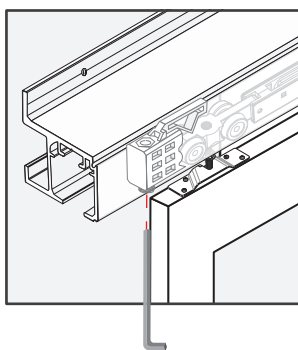
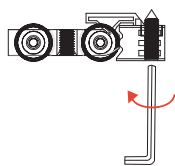
Step 4



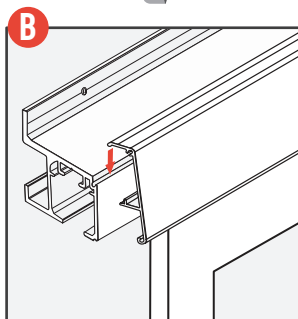
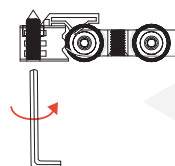
A.1
Insert security stop into end of track. Adjust for proper location to coincide with end of door travel after softclose completes function.



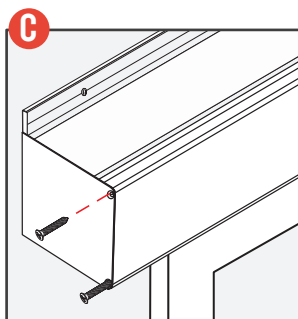
A.2
Use hex wrench to tighten



A.3
Use hex wrench to tighten



B.1
Attach valance
Insert top into space and press downward to snap in place over lower ledge of track



C.1
Fasten both endcaps with 2 screws

