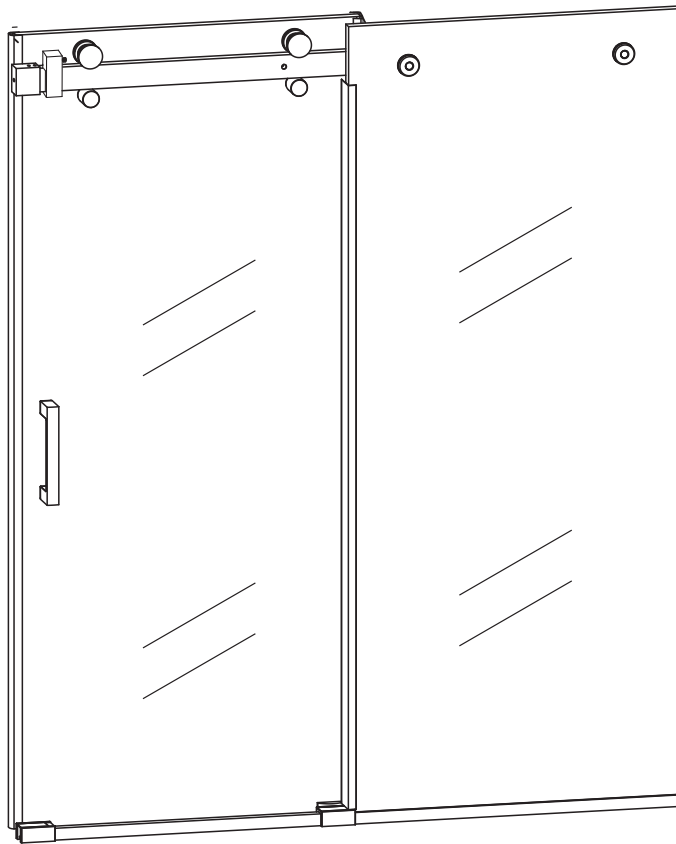


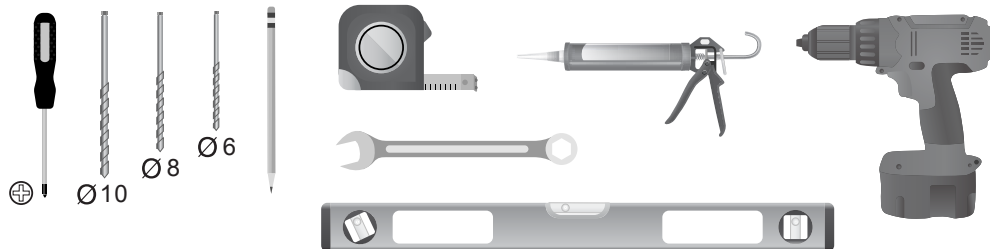


MONTEREY GLASS SHOWER ENCLOSURE BARN DOOR INSTALLATION

DIMENSIONS



TOOLS REQUIRED



Architectural Concepts

O (888) 248 2724

D (720) 259 5358

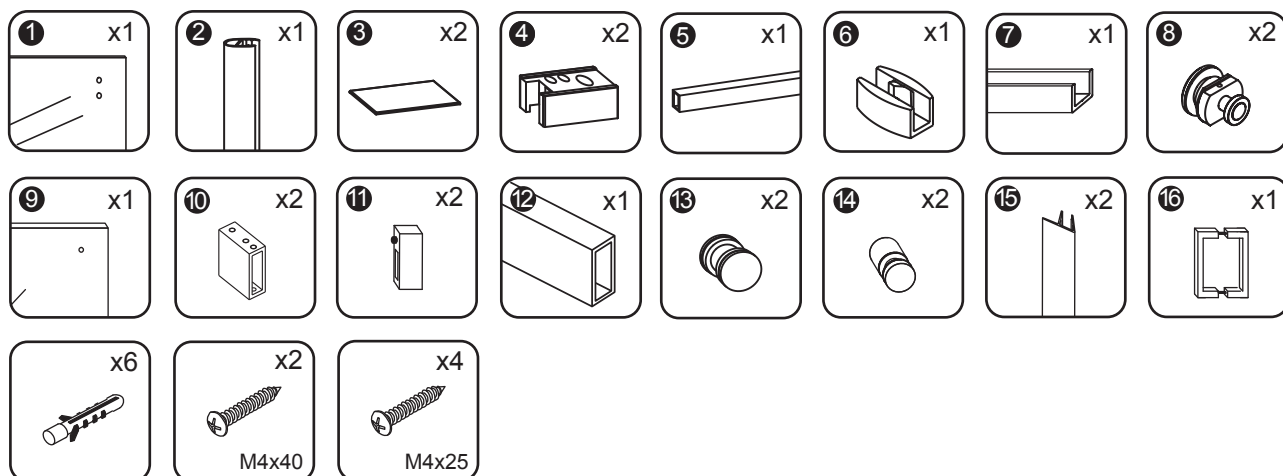
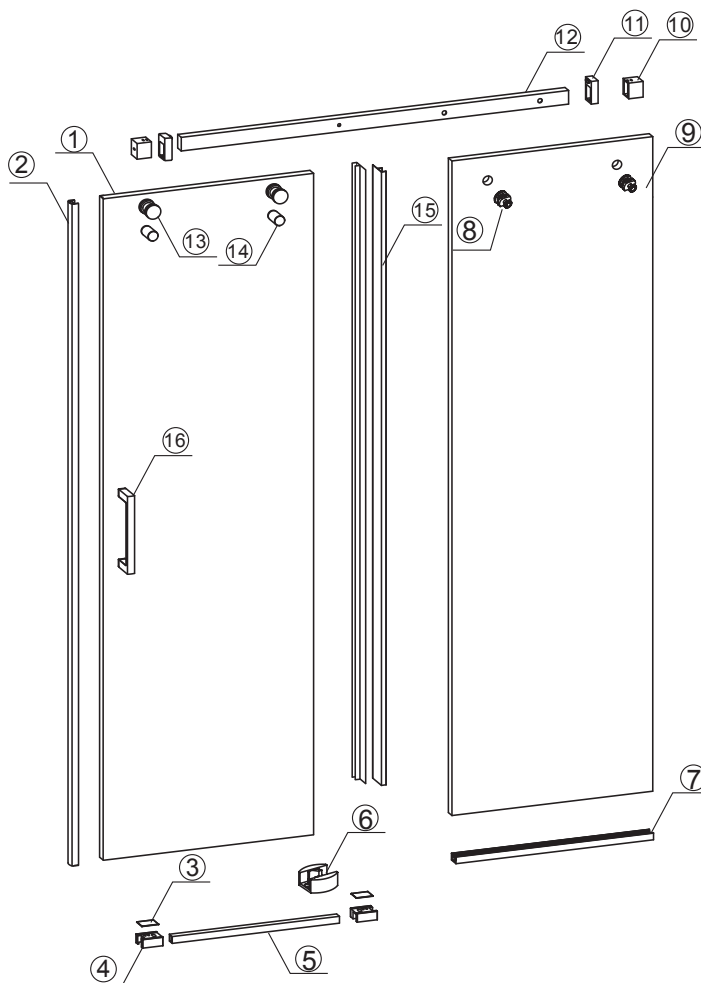
E info@archconceptsllc.com

18505 Longs Way
Parker, CO 80134

archconceptsllc.com

Monterey Glass Shower Enclosure Barn Door Installation

STEP 1



Architectural Concepts

(888) 248 2724 | (720) 259 5358 | info@archconceptsllc.com | 18505 Longs Way, Parker, CO 80134 | archconceptsllc.com

<https://www.archconceptsllc.com/products/shower-enclosures/sliding-barn-door/>

Page 2 of 6

Revised 06-21-23

Monterey Glass Shower Enclosure Barn Door Installation

STEP 1

73 $\frac{5}{16}$ " (1863mm)

x2
M4x40

Attention: Measurements are to center of mounting bracket block.

1a, 1b, 1c, 1d, 1e, 1f, 1g

STEP 2

Attention: Block accordingly to align with holes/clamps in the track.

Silicone glass to wall on vertical edge. Silicone both sides of the U-channel to the glass.

Attention: Insert both stops prior to mounting track.

Attention: Install appropriate blocking to properly support the glass as the weight of the fixed panel is not to be suspended by the track.

2a, 2b, 2c, 2d, 2e



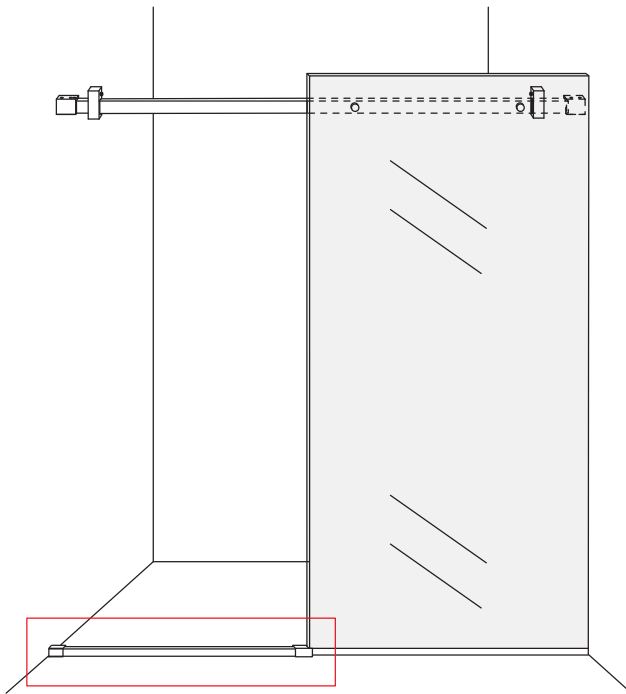
Architectural Concepts

(888) 248 2724 | (720) 259 5358 | info@archconceptsllc.com | 18505 Longs Way, Parker, CO 80134 | archconceptsllc.com

<https://www.archconceptsllc.com/products/shower-enclosures/sliding-barn-door/>

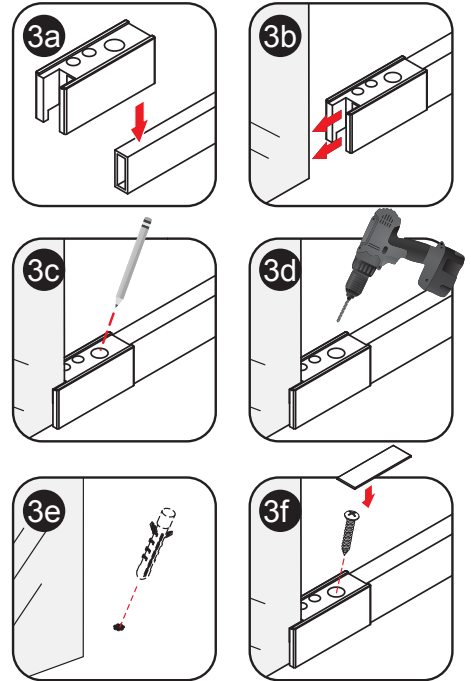
Monterey Glass Shower Enclosure Barn Door Installation

STEP 3

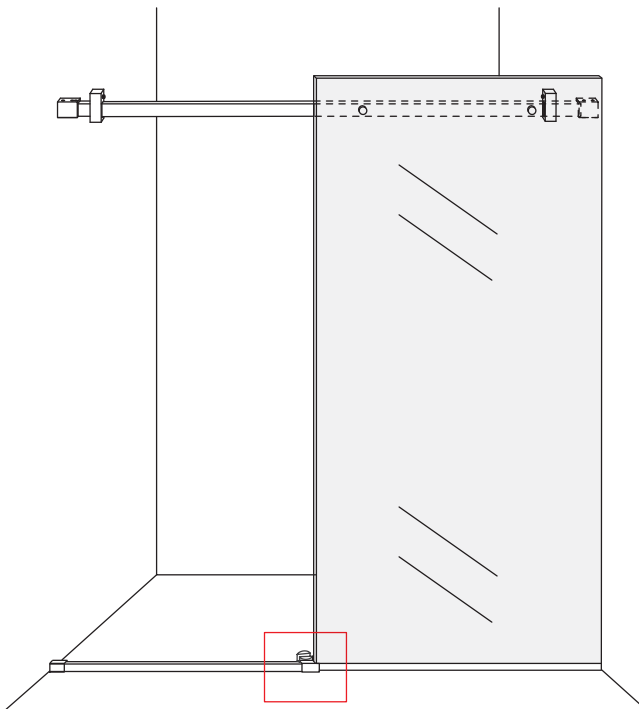


X2
M4x25

! Attention:
Water dam is recommended for optimal performance. The sliding door must be installed to the interior of the shower in order to use it.

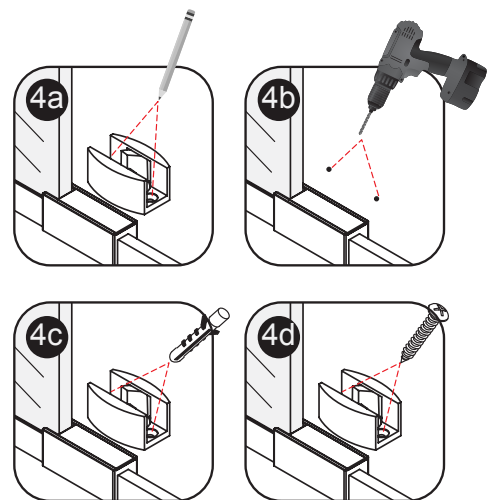


STEP 4



X2
M4x25

! Attention:
Align bottom guide to allow glass to run in a plumb condition.



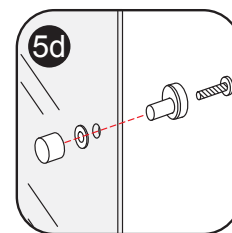
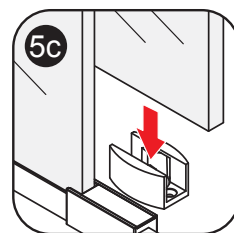
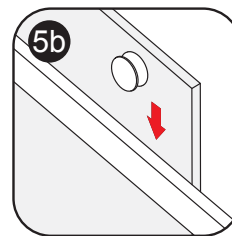
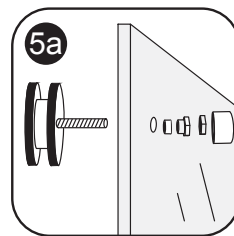
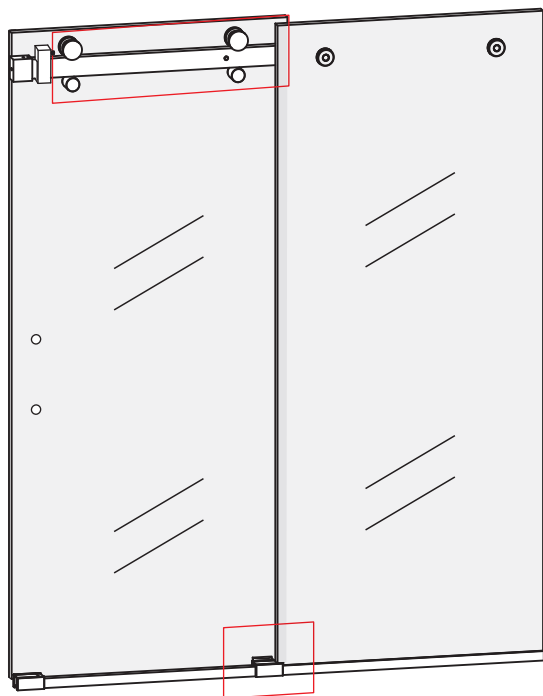
Architectural Concepts

(888) 248 2724 | (720) 259 5358 | info@archconceptsllc.com | 18505 Longs Way, Parker, CO 80134 | archconceptsllc.com

<https://www.archconceptsllc.com/products/shower-enclosures/sliding-barn-door/>

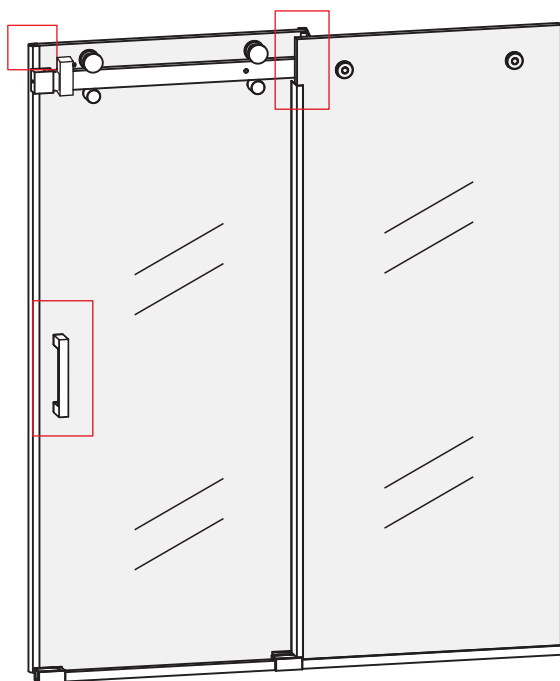
Monterey Glass Shower Enclosure Barn Door Installation

STEP 5

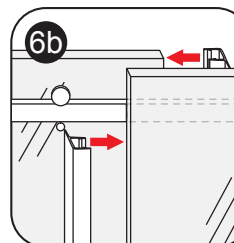
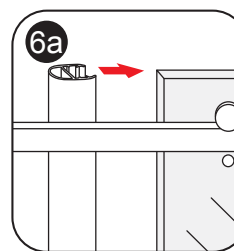


! Attention:
Loc-Tite is recommended for the secure tightening of all fittings.

STEP 6



! Attention:
Install seals for best performance against water escape and protection of glass edge.



Architectural Concepts

(888) 248 2724 | (720) 259 5358 | info@archconceptsllc.com | 18505 Longs Way, Parker, CO 80134 | archconceptsllc.com

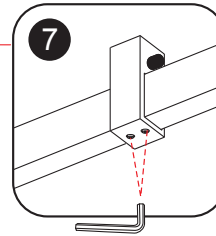
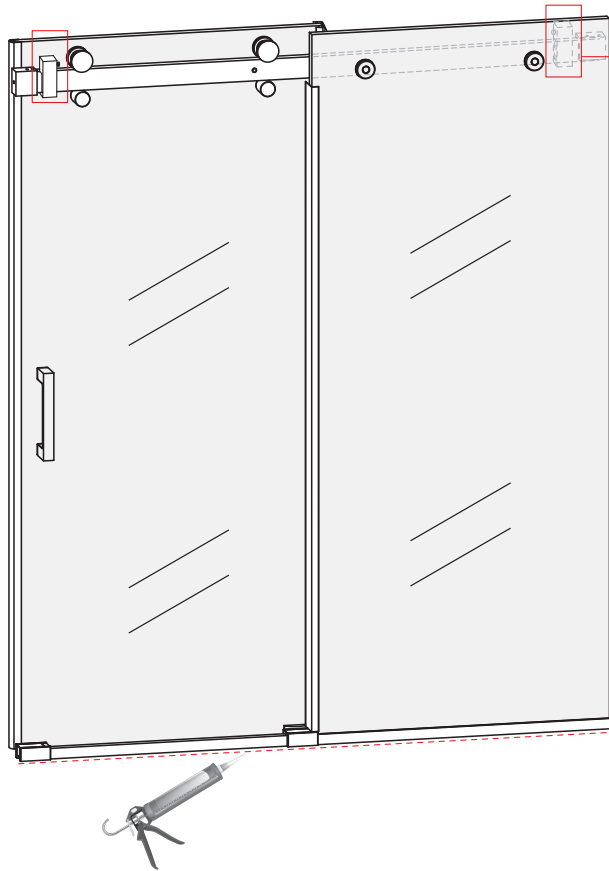
<https://www.archconceptsllc.com/products/shower-enclosures/sliding-barn-door/>

Page 5 of 6

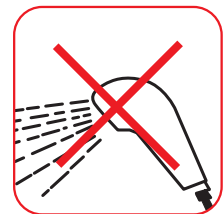
Revised 06-21-23

Monterey Glass Shower Enclosure Barn Door Installation

STEP 7



! Attention:
Loc-Tite is recommended for the secure tightening of all fittings.



24 hours

! Attention:
After completing installation, use silica gel to prevent leakage.



Architectural Concepts

(888) 248 2724 | (720) 259 5358 | info@archconceptsllc.com | 18505 Longs Way, Parker, CO 80134 | archconceptsllc.com

<https://www.archconceptsllc.com/products/shower-enclosures/sliding-barn-door/>

Page 6 of 6

Revised 06-21-23