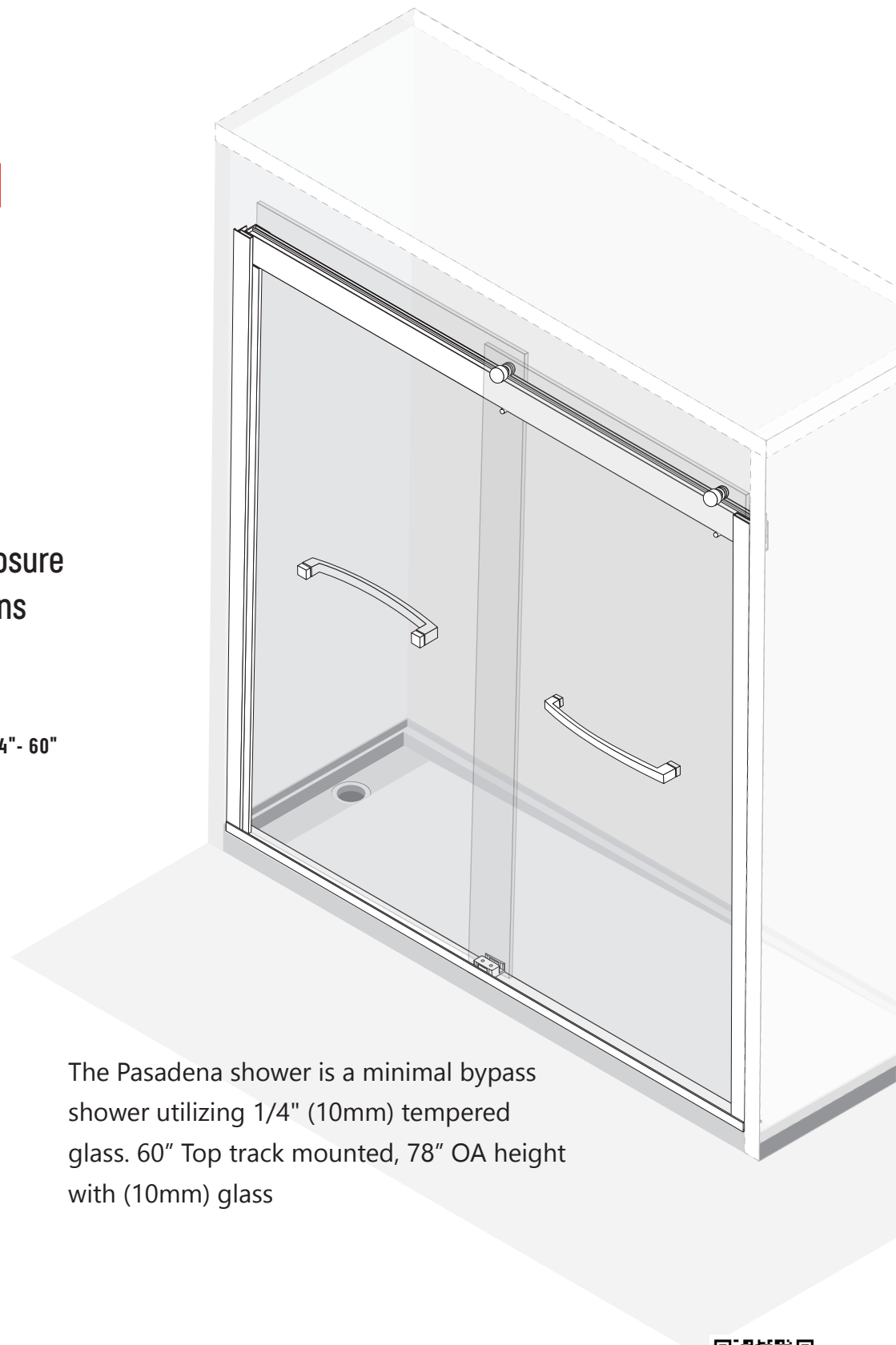


Architectural Concepts

PASADENA

By-Pass Shower Enclosure Installation Instructions

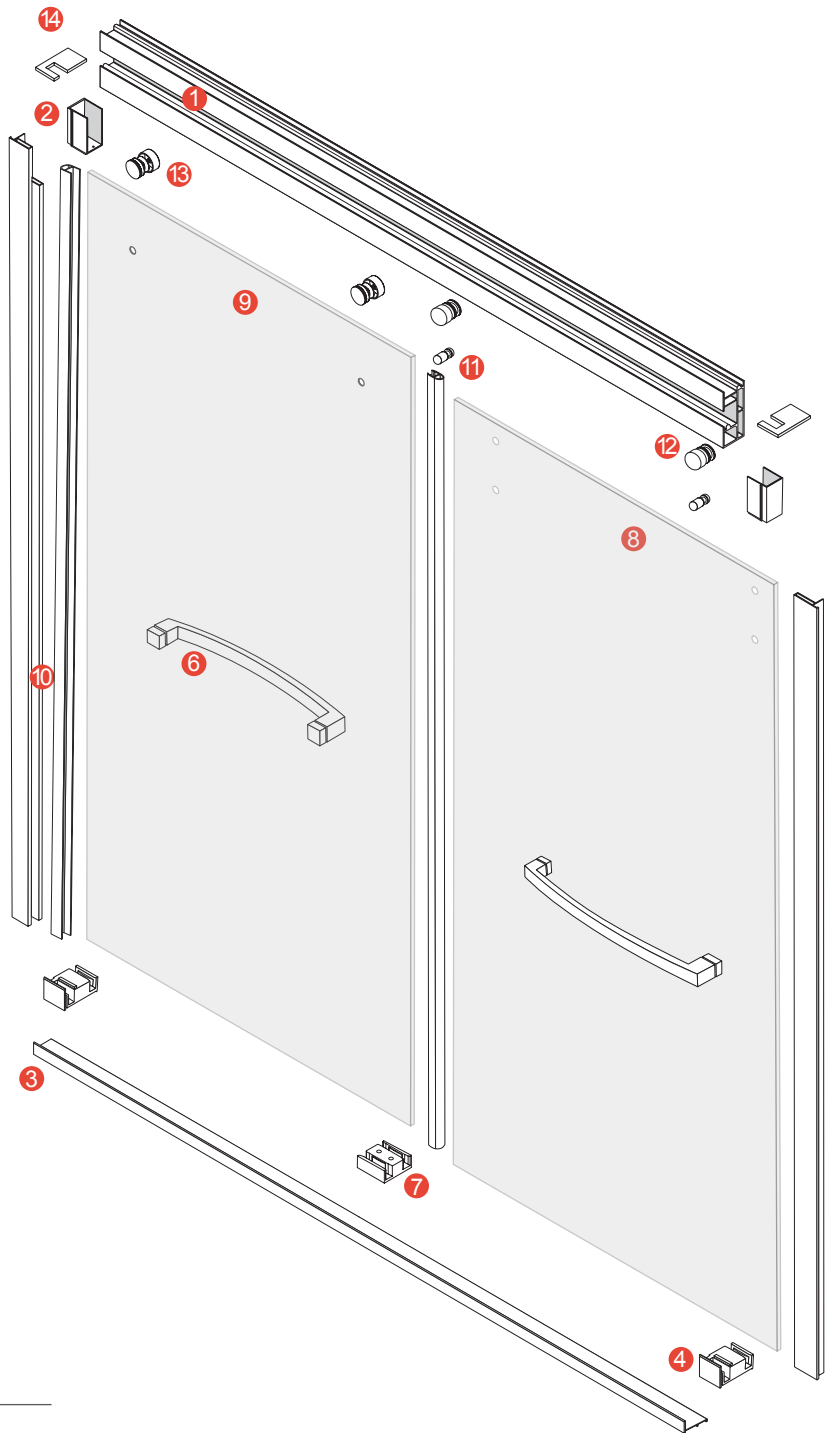
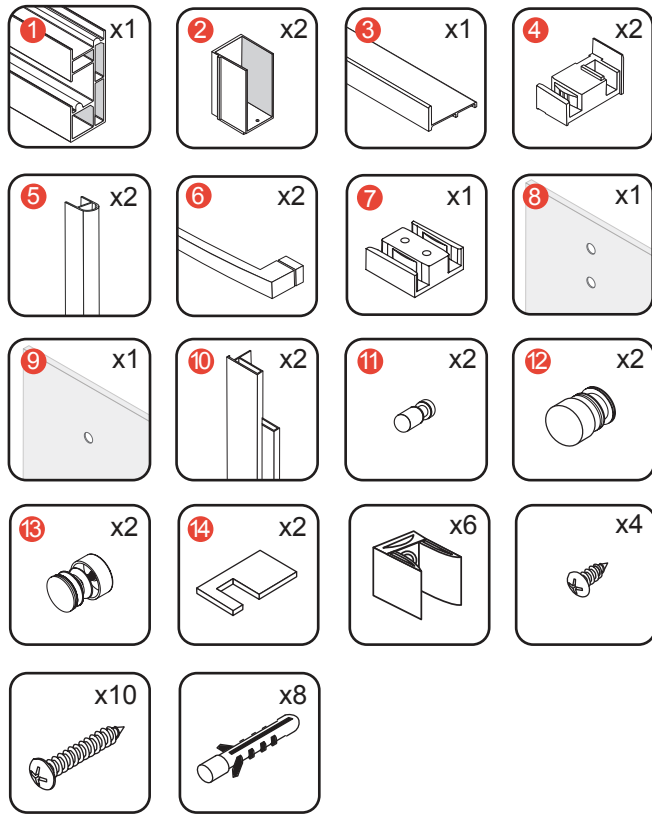
78" OA Height
Fits Standard Opening Range of 54" - 60"
Customization Options Available



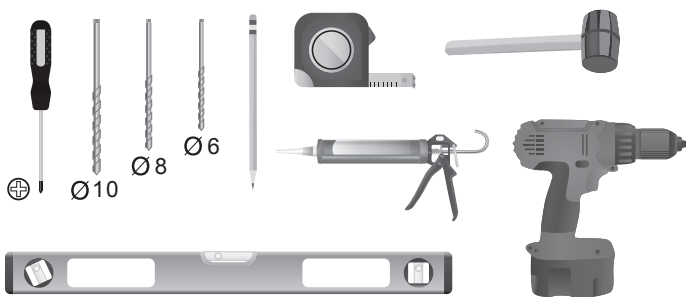
The Pasadena shower is a minimal bypass shower utilizing 1/4" (10mm) tempered glass. 60" Top track mounted, 78" OA height with (10mm) glass

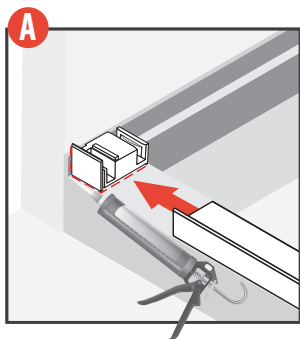


HARDWARE INCLUDED

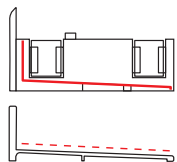


TOOLS NEEDED

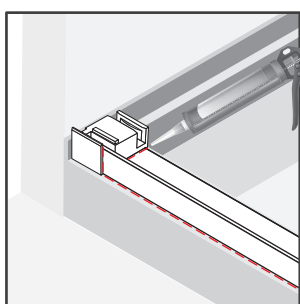


Step 1

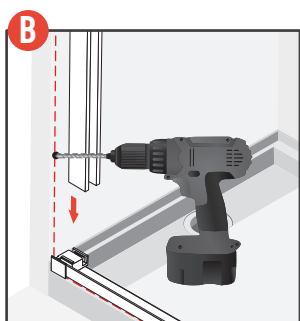
A.1
Position side rail shoe and silicone into place



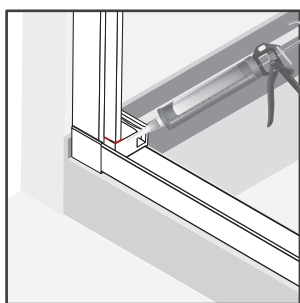
Note the slope alignment when sliding on guide



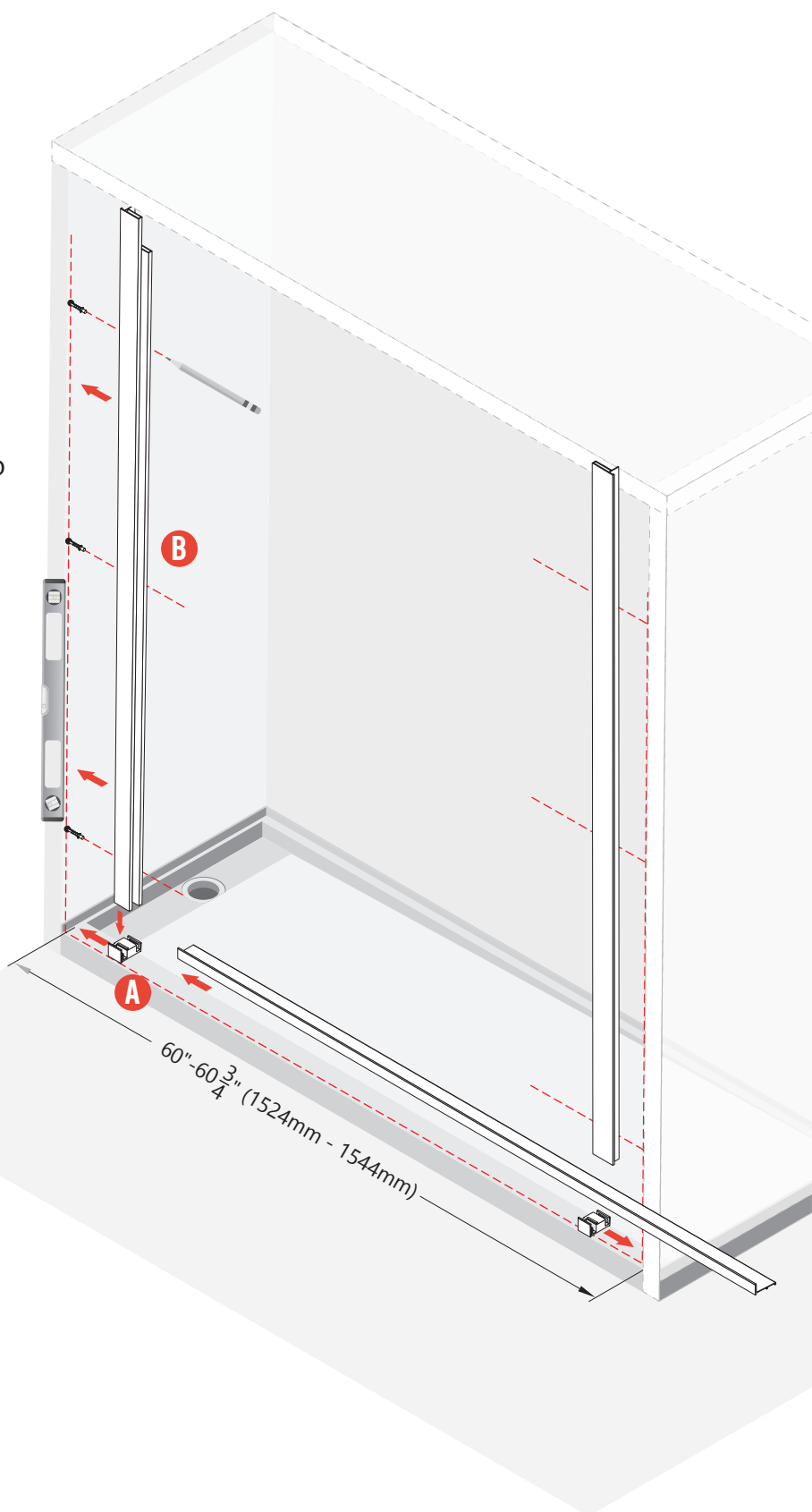
A.2
Insert bottom sill into side rail shoe and silicone into place
If curb/base is out of level more than 1/4", shim as required for proper adjustment



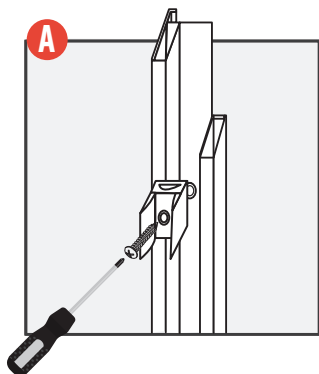
B.1
Measure and drill holes to add wall anchors for side rails
Make sure jambs are installed plumb
Silicone under sill prior to installation



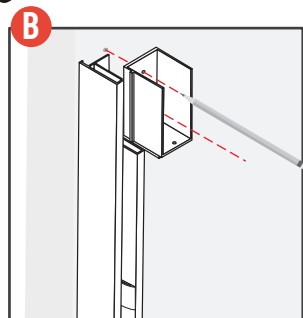
B.2
Silicone inside of corner prior to jamb installation



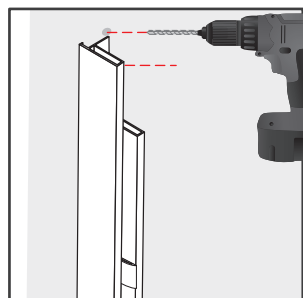
Step 2



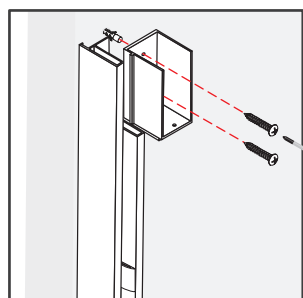
A.1
Install the 3 clips on both side rails



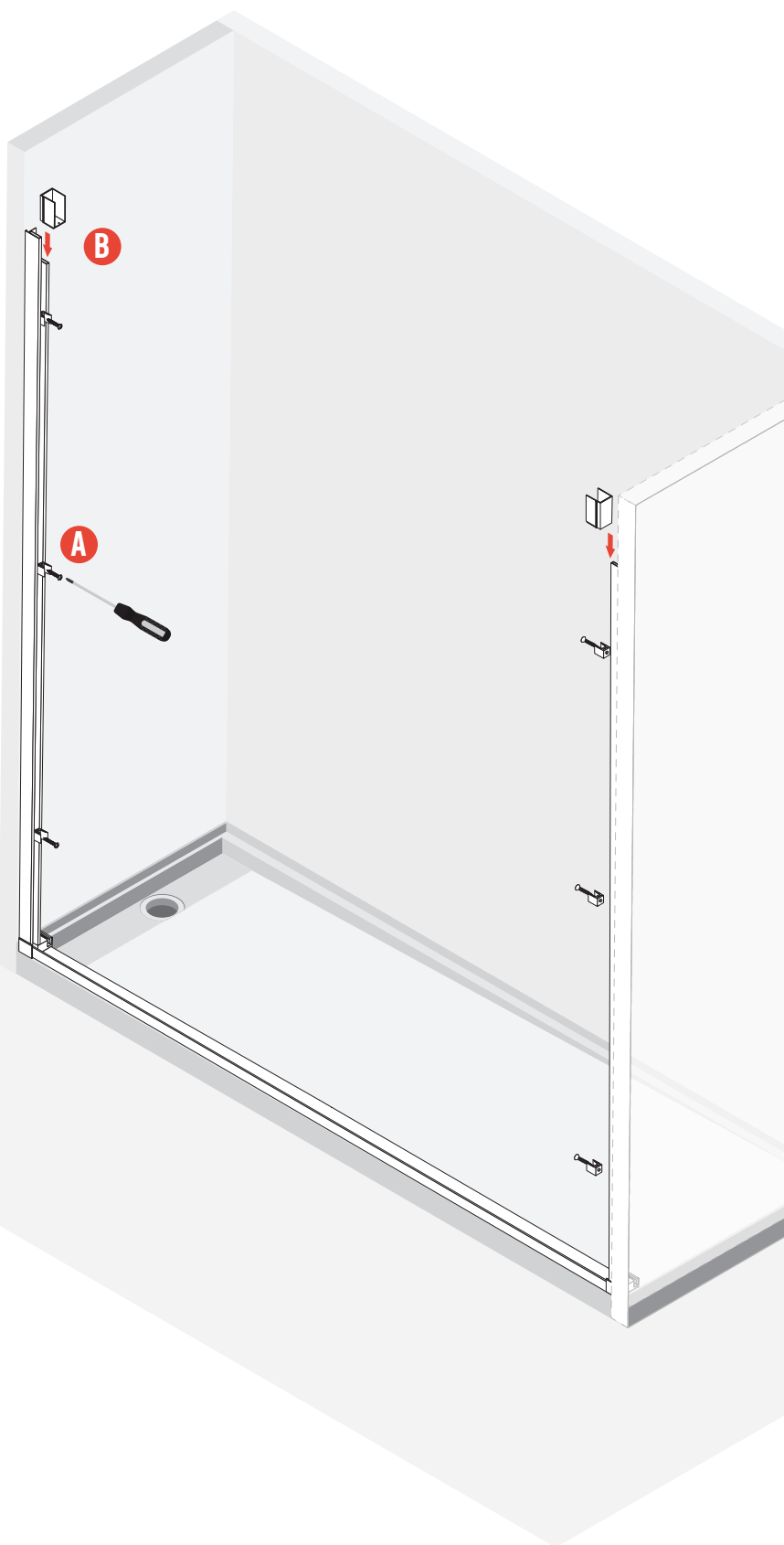
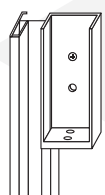
B.1
Measure and mark holes for mounting bracket



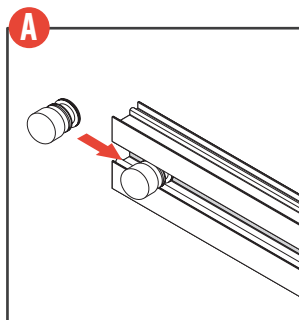
B.2
Drill holes and add wall anchors for top rail brackets



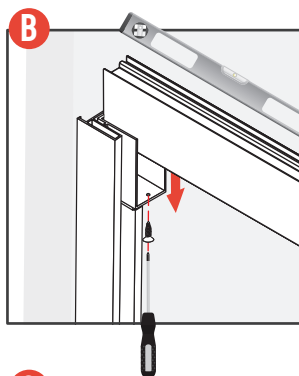
B.3
Mount brackets



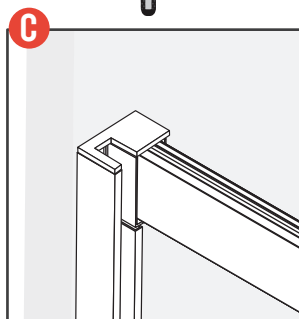
Step 3



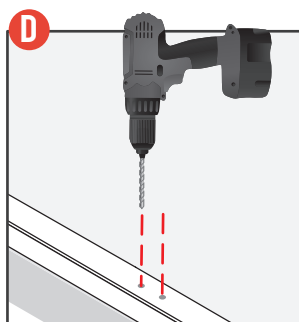
A.1
Insert 2 rollers into back channel before setting top rail onto brackets



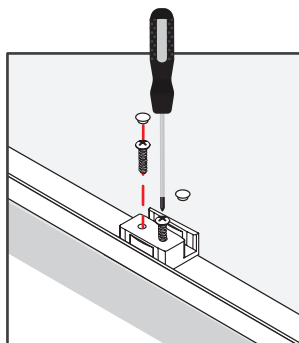
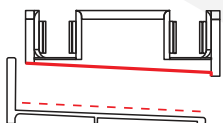
B.1
Drop top rail onto brackets checking for level and insert anchor screw at bottom



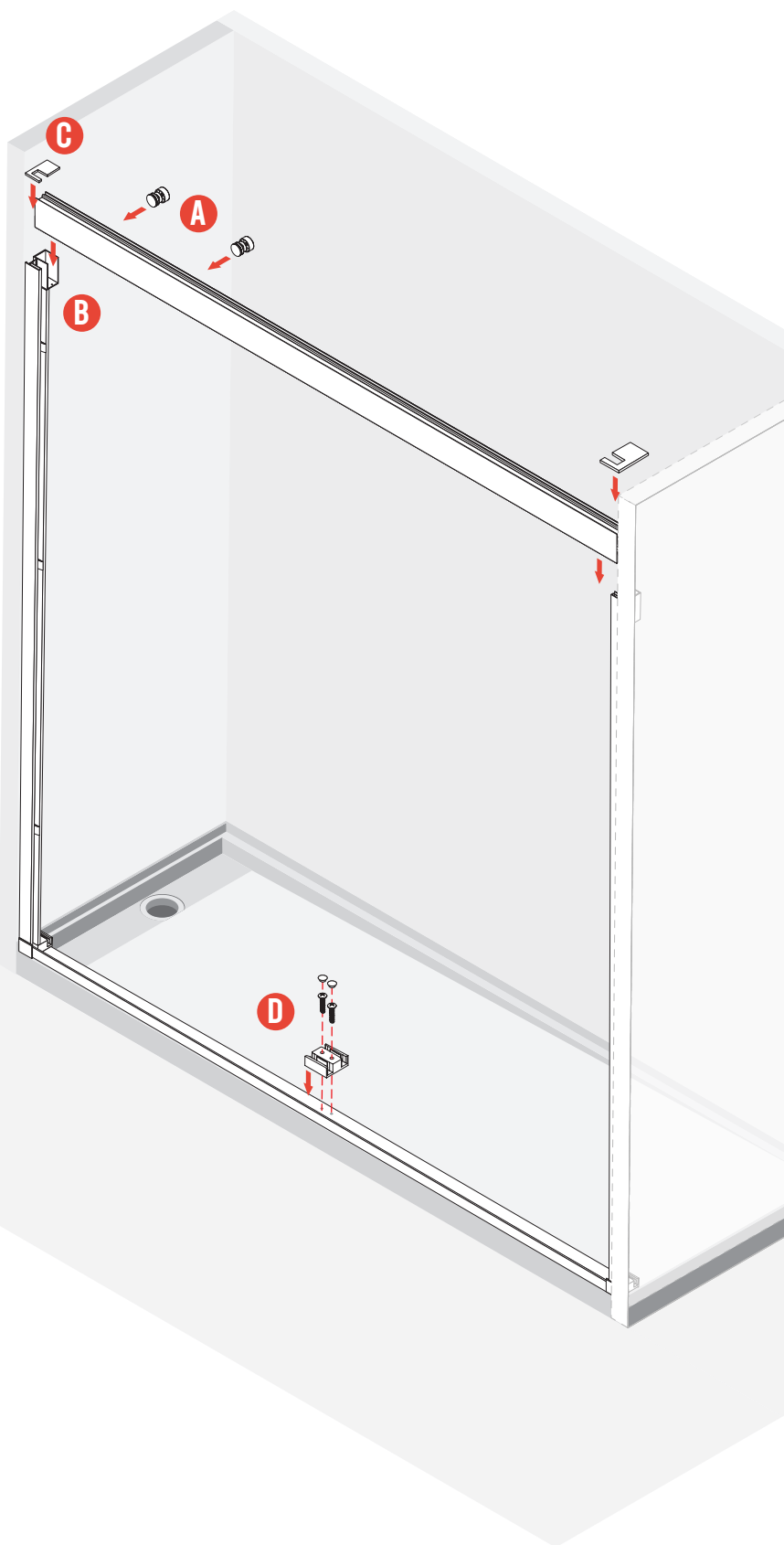
C.1

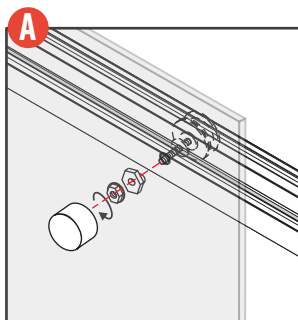


D.1
Drill holes through the sill plate only, not into the shower curb

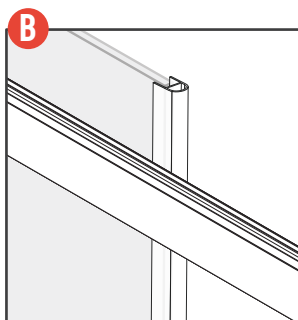


D.2
Mount panel guide

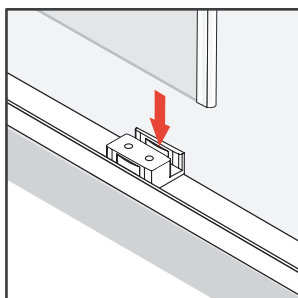


Step 4

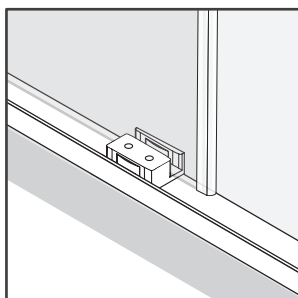
A.1
Connect 2 rollers
into inside glass
door



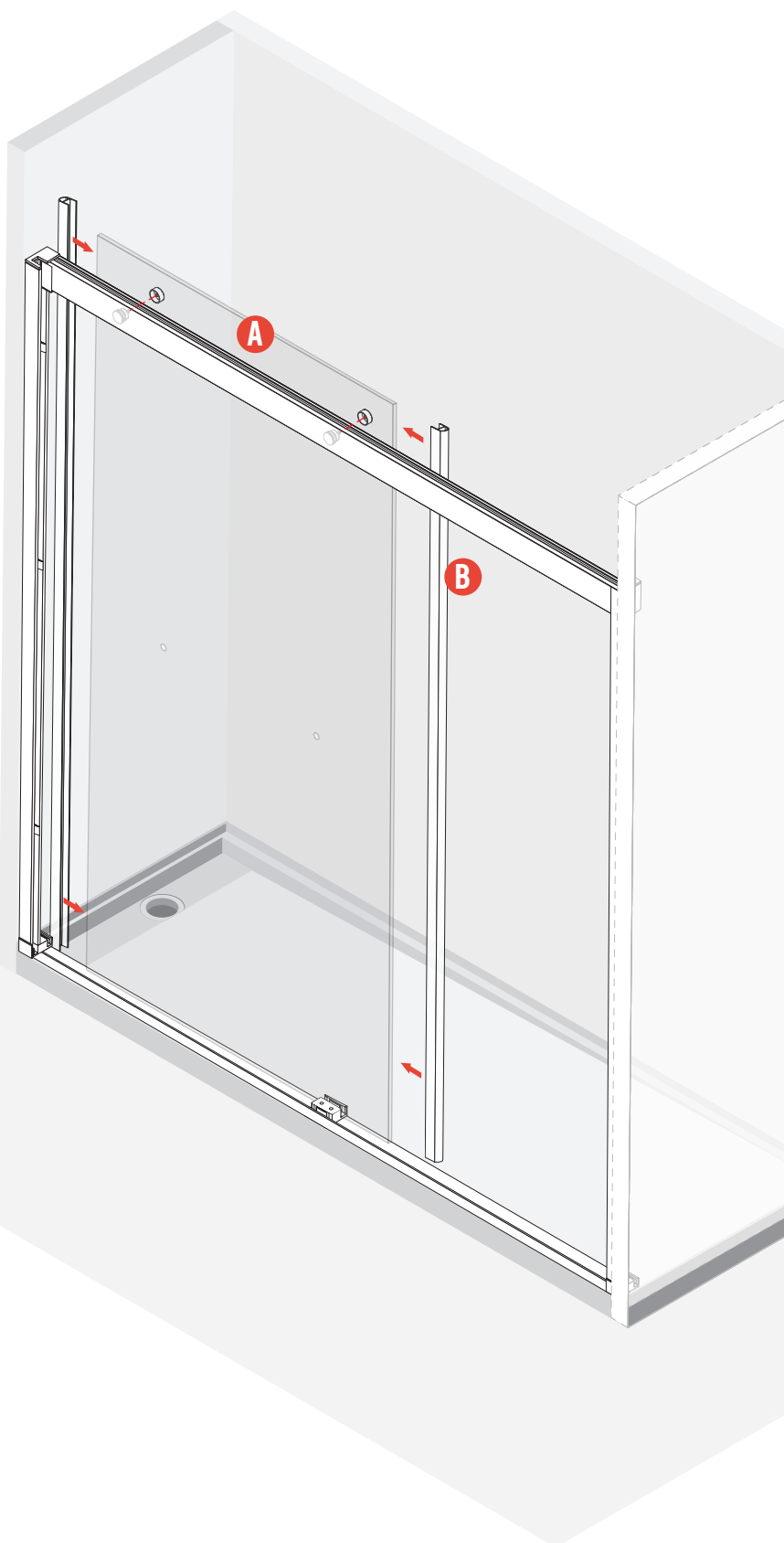
B.1
Attach edge
protector to glass
door

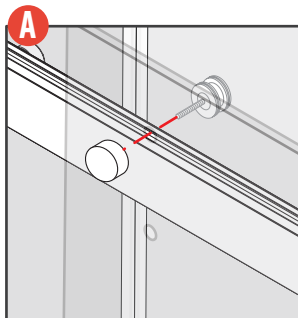


B.2
When attaching
glass door to rollers
gently align into
panel guide

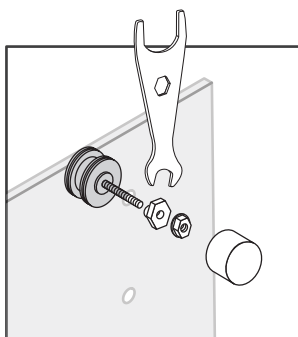


B.3
Ensure glass door
glides smoothly
within panel guide

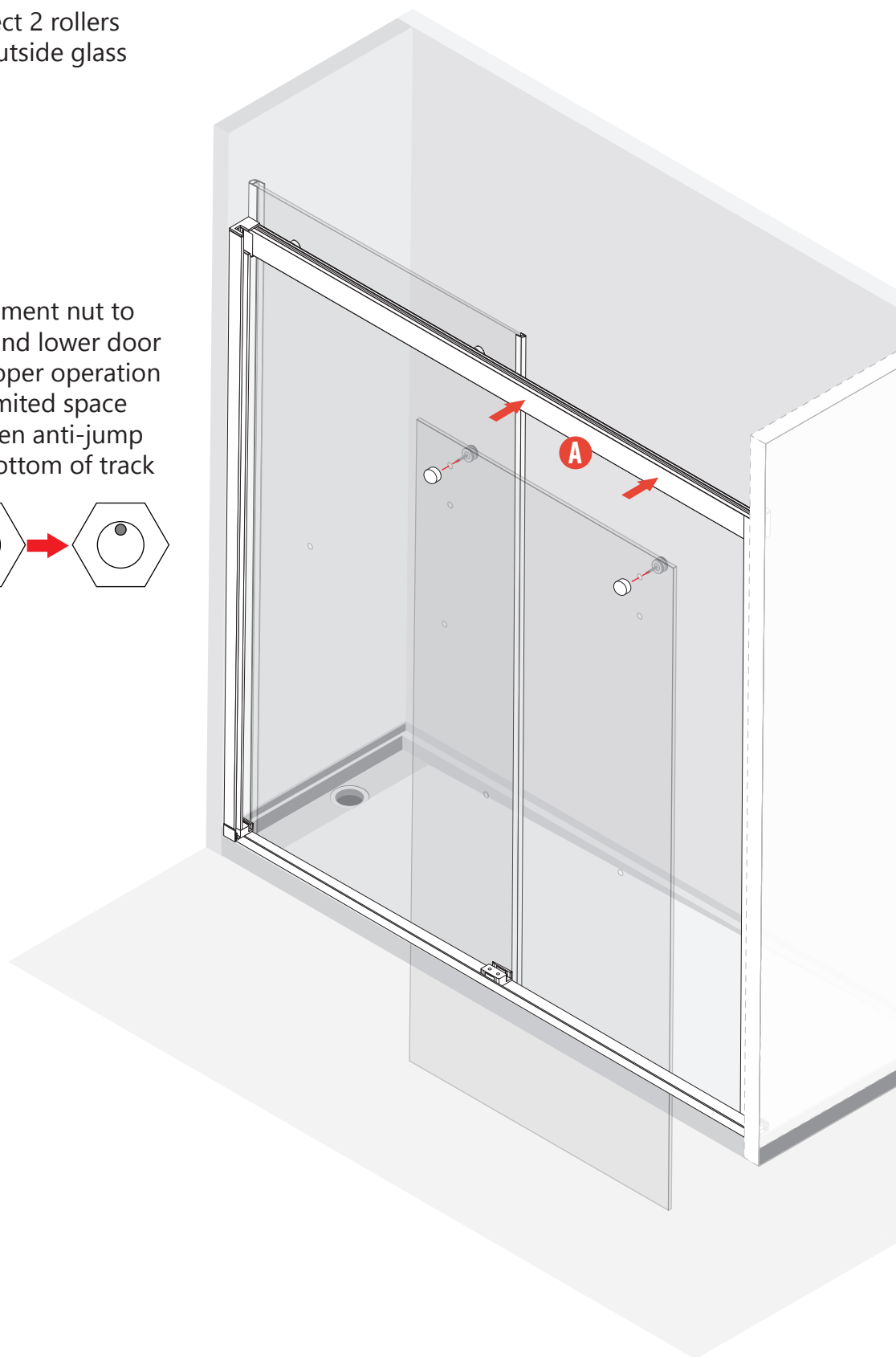
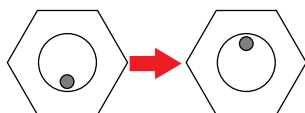
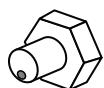


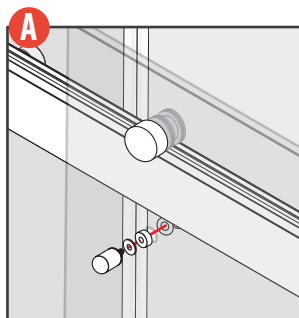
Step 5

A.1
Connect 2 rollers
into outside glass
door

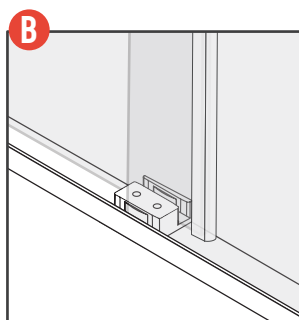


A.2
Adjustment nut to
raise and lower door
for proper operation
and limited space
between anti-jump
and bottom of track

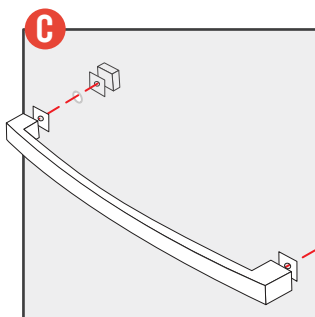


Step 6

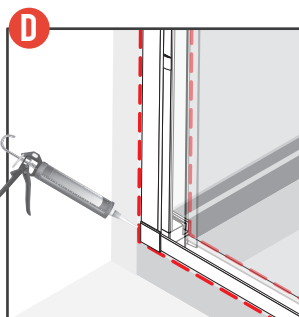
A.1
Connect the anti-jump hardware to the glass door



B.1
Ensure glass door glides smoothly within panel guide



C.1
Attach both towel bar pulls



D.1
Apply silicone sealant to the interior and exterior frame to prevent water leakage

