



ACSD-H90

GLASS TO WALL HINGE

SPECIFICATIONS

MODEL
ACSD-H90 (Standard)

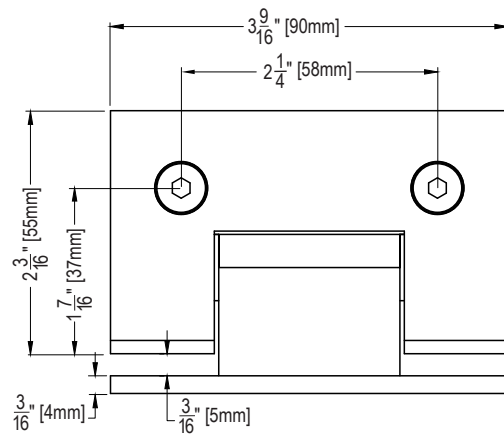
MAX DOOR WEIGHT 2 HINGES
95 LBS.

MAX DOOR WEIGHT 3 HINGES
118 LBS.

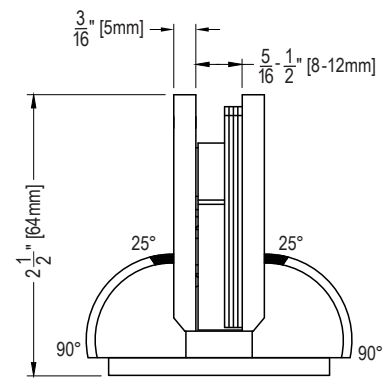
FINISHES
625 - Polished Chrome
622 - Matte Black
630 - Brushed Stainless

Custom colors available upon request

DIMENSIONS

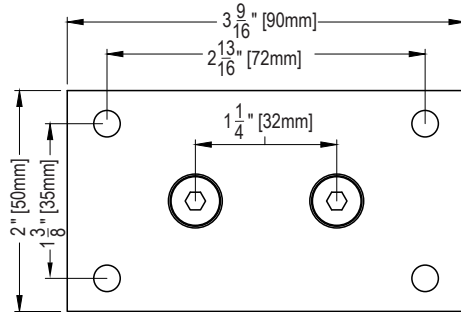


SIDE

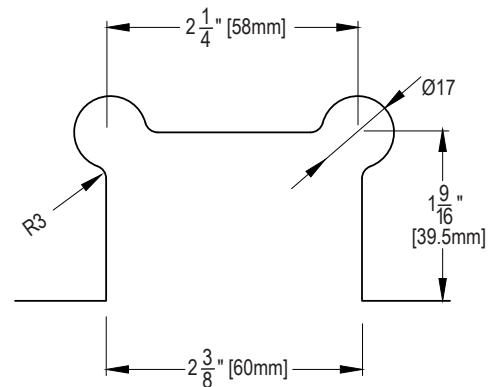


When the door closes to 25°, the door automatically closes to 0°

TOP



BACK



HINGE CUTOUT

**Architectural
Concepts**

O (888) 248 2724
D (720) 259 5358
E info@archconceptsllc.com

18505 Longs Way
Parker, CO 80134

archconceptsllc.com