



ACSD-HD90

GLASS TO WALL HINGE

SPECIFICATIONS

MODEL
ACSD-HD90 (Heavy Duty)

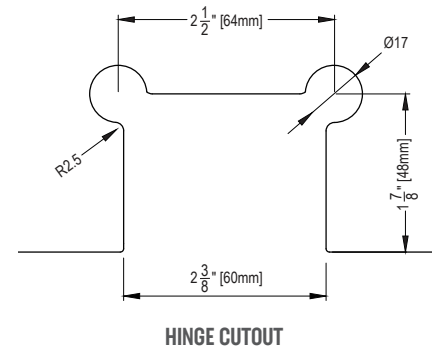
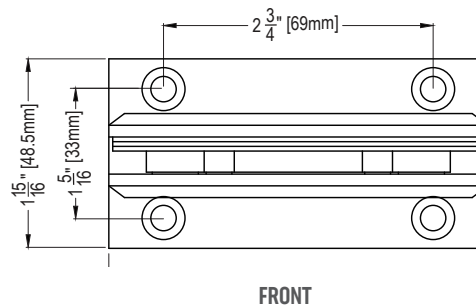
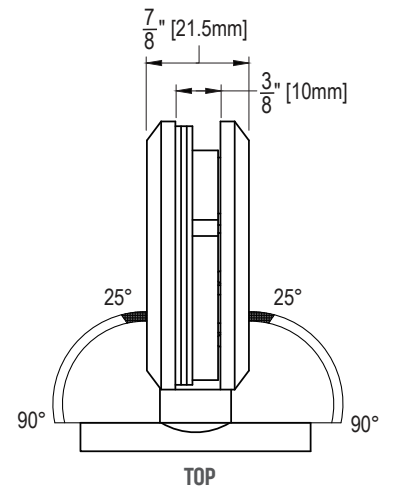
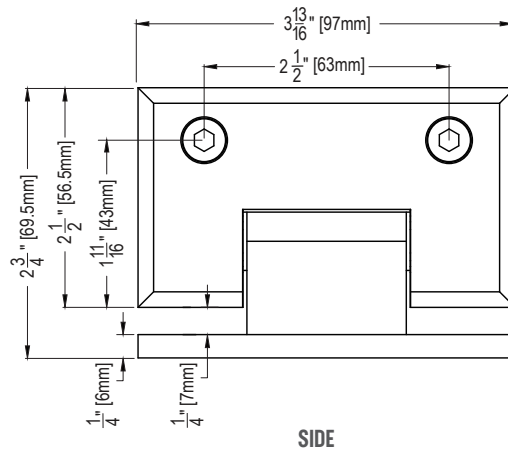
MAX DOOR WEIGHT 2 HINGES
110 LBS.

MAX DOOR WEIGHT 3 HINGES
130 LBS.

FINISHES
625 - Polished Chrome
622 - Matte Black
630 - Brushed Stainless

Custom colors available upon request

DIMENSIONS



**Architectural
Concepts**

O (888) 248 2724
D (720) 259 5358
E info@archconceptsllc.com

18505 Longs Way
Parker, CO 80134

archconceptsllc.com