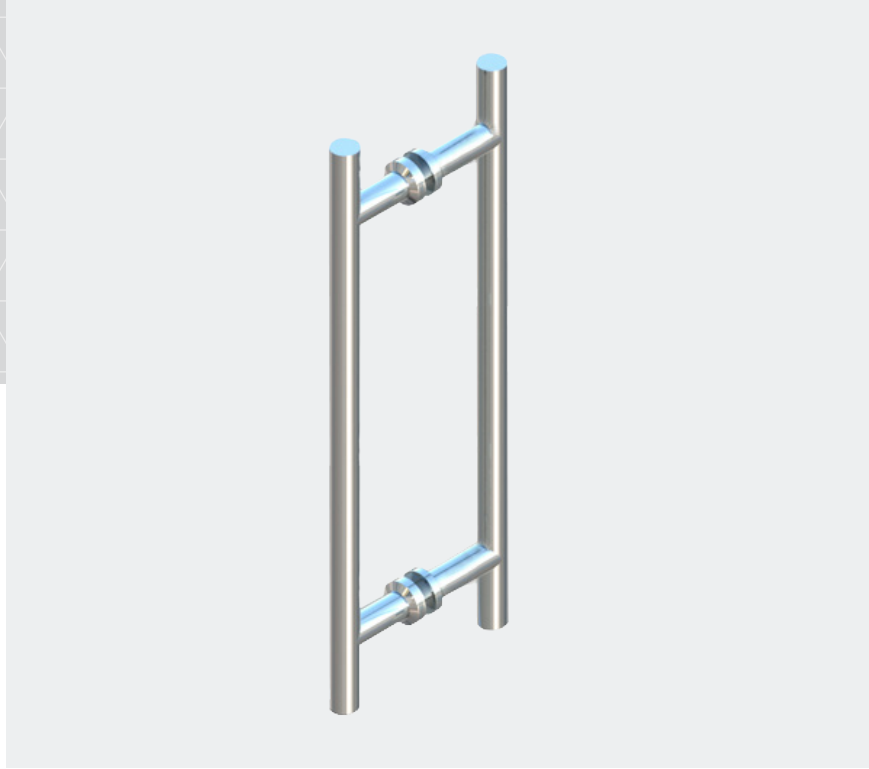




ACM06318

PULL HARDWARE



SPECIFICATIONS

FINISHES

- 625 - Polished Chrome
- 622 - Matte Black
- 630 - Brushed Stainless

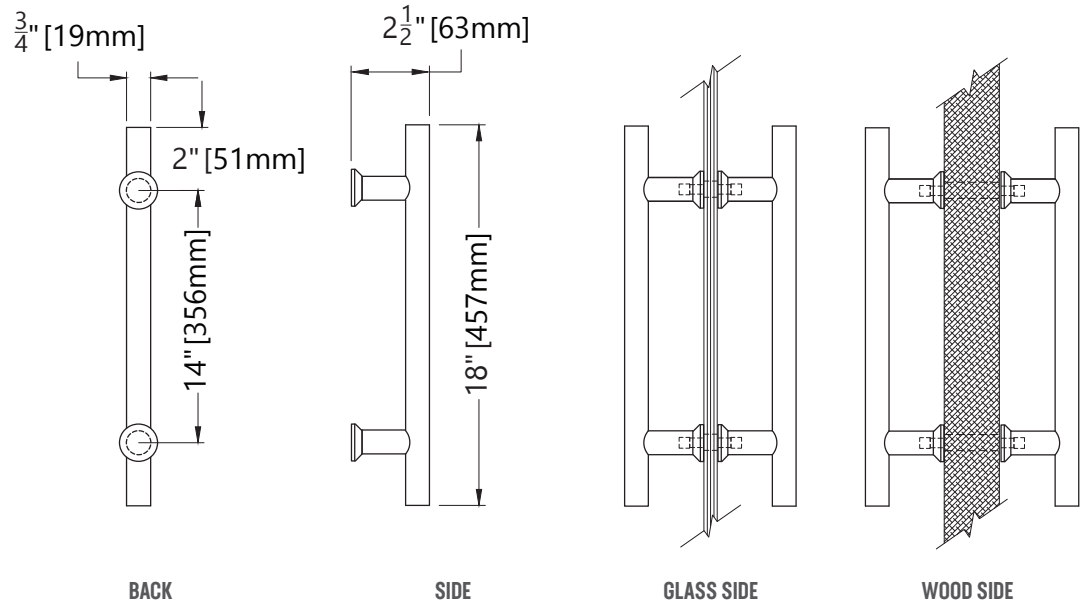
Additional finishes available

MODEL

ACM06318

Available single sided or BTB accommodating both wood and glass doors. See also ACM06312X18 for shower door application.

DIMENSIONS



**Architectural
Concepts**

O (888) 248 2724
D (720) 259 5358
E info@archconceptsllc.com

18505 Longs Way
Parker, CO 80134

archconceptsllc.com