



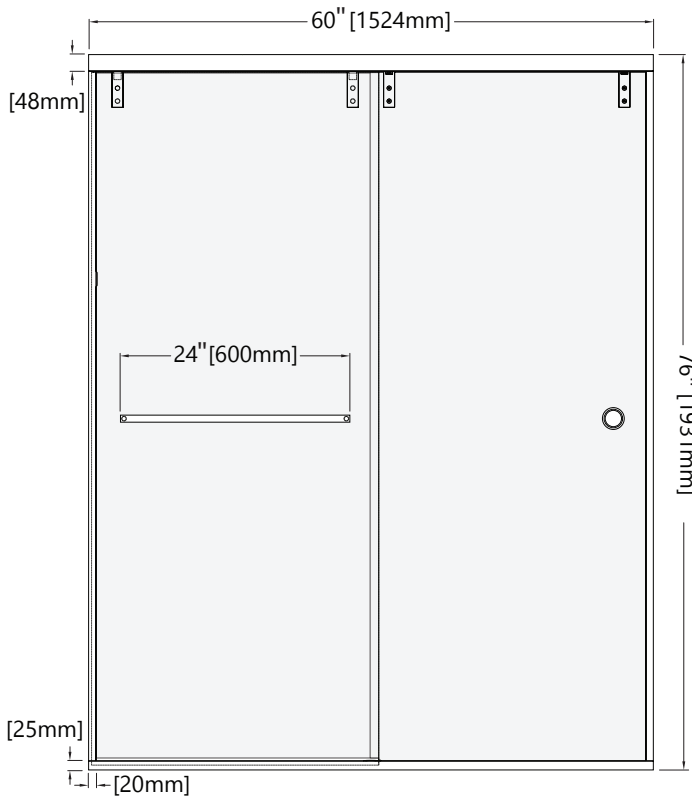
# SONOMA

1/4" (6mm) BY-PASS GLASS SHOWER ENCLOSURE



## ELEVATION

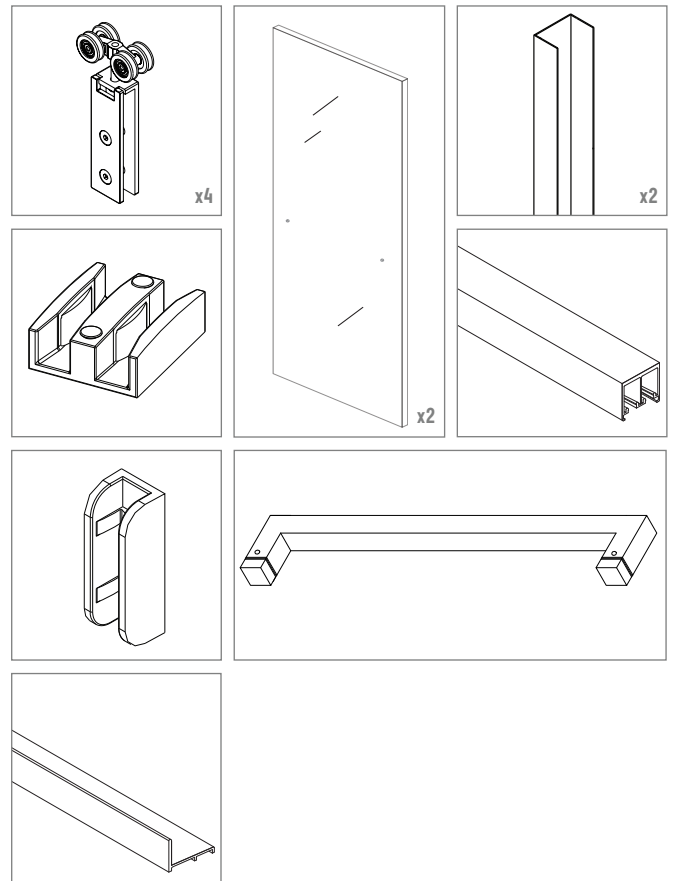
FITS 54" - 60" OPENING



Stocked Finishes: Matte Black  Polished  Brushed 

Available Finishes: Satin Brass 

## HARDWARE



## INCLUDED INSTALLATION HARDWARE

Architectural  
Concepts

O (888) 248 2724  
E info@archconceptsllc.com

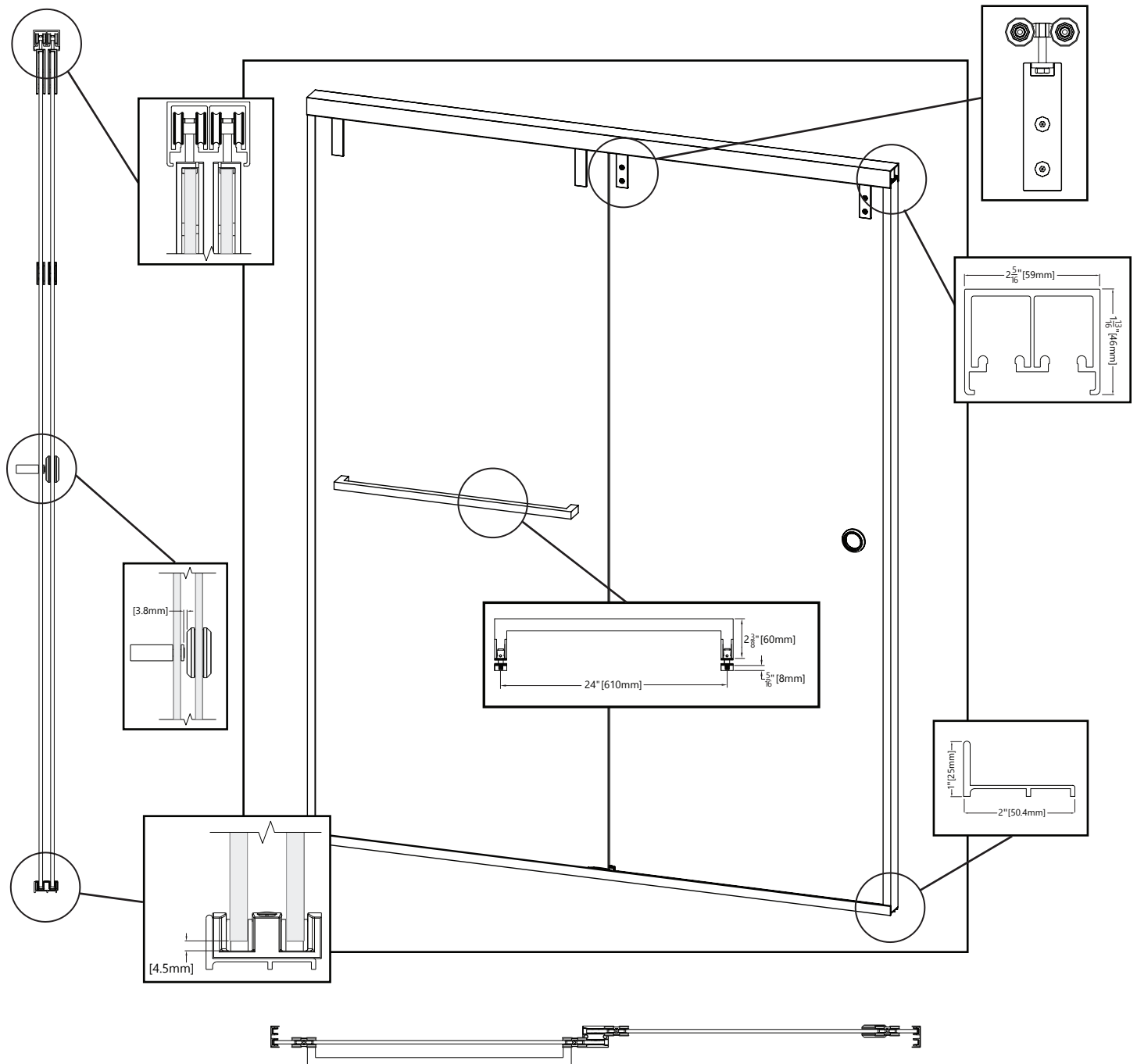
18505 Longs Way  
Parker, CO 80134

[archconceptsllc.com](http://archconceptsllc.com)

# SONOMA

1/4" (6mm) BY-PASS GLASS SHOWER ENCLOSURE

## DIMENSIONS



**Architectural Concepts**

888.248.2724 | 720.259.5358 | info@archconceptsllc.com | 18505 Longs Way, Parker, CO 80134 | archconceptsllc.com