



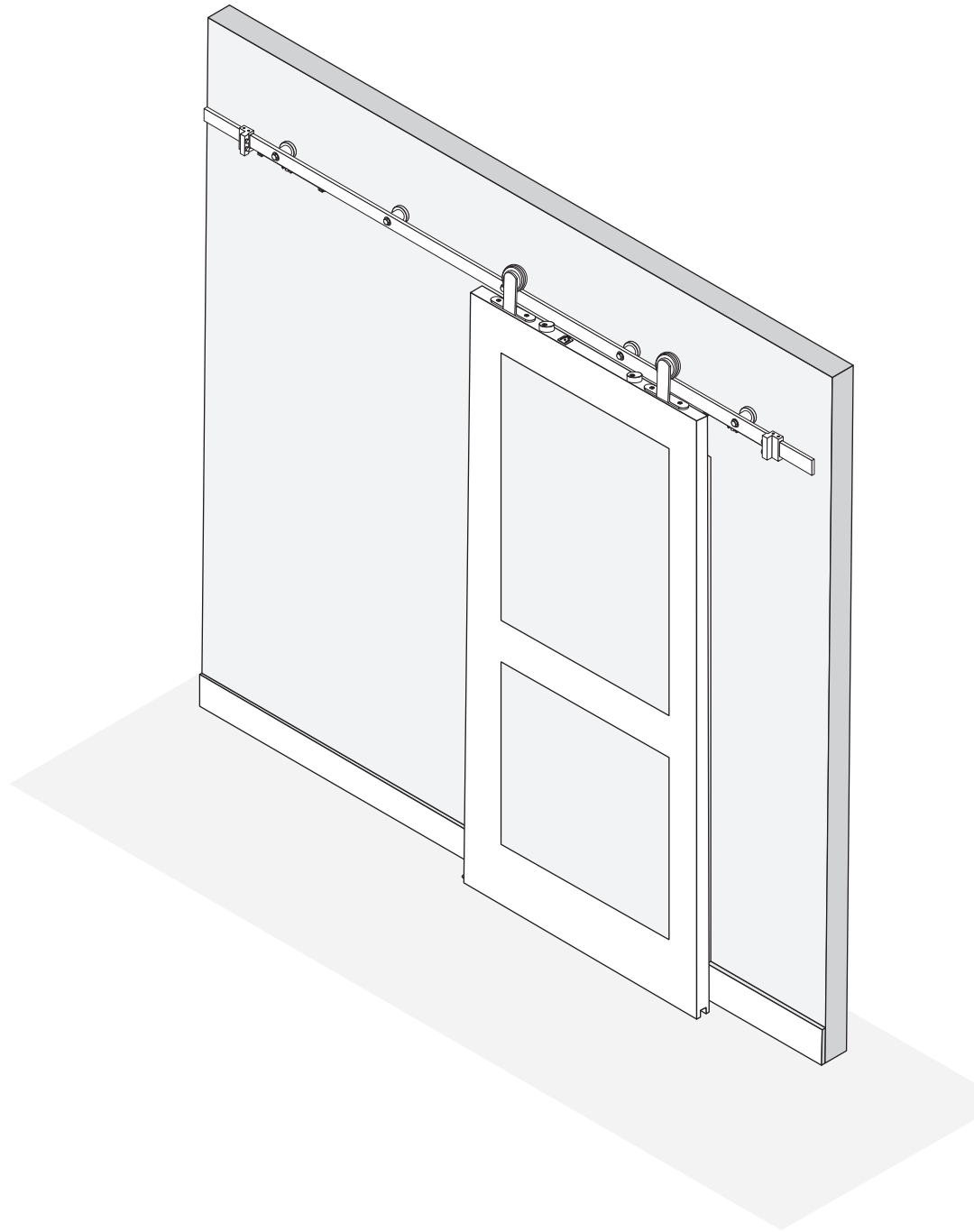
Architectural Concepts

AC8000 A

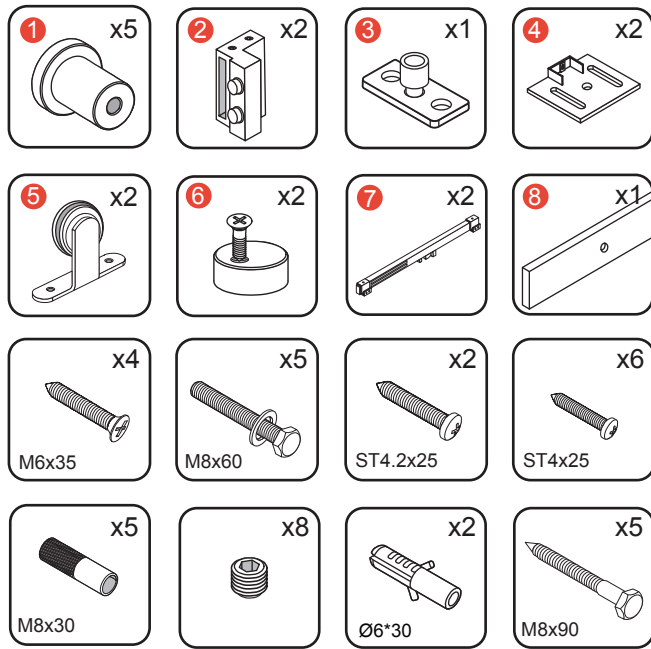
Barn Door Installation Instructions

78 3/4" (2 M) Track Length (pictured)
98 7/16" (2.5 M) Track Length

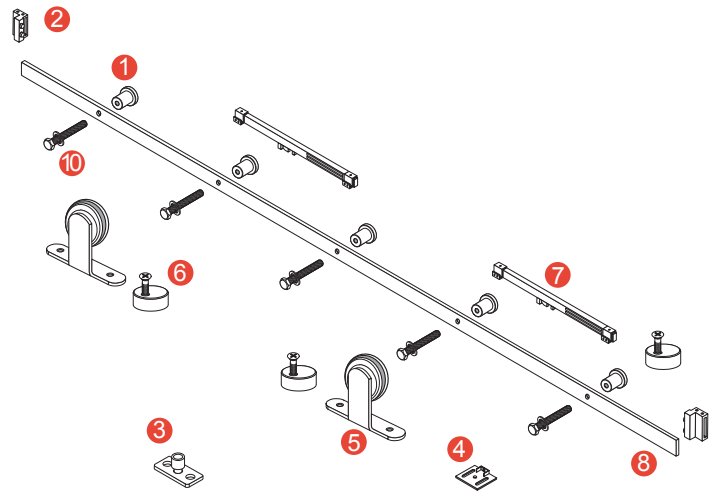
Dual-Soft Close
MINIMUM door size for application is
23 5/8" wide



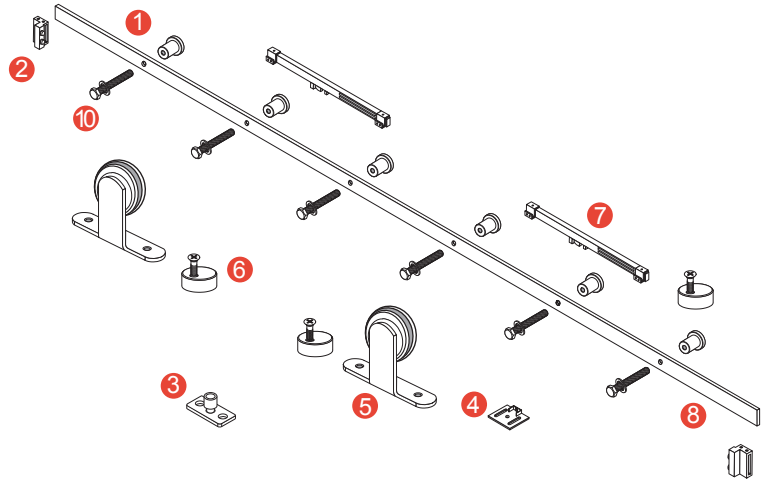
HARDWARE INCLUDED



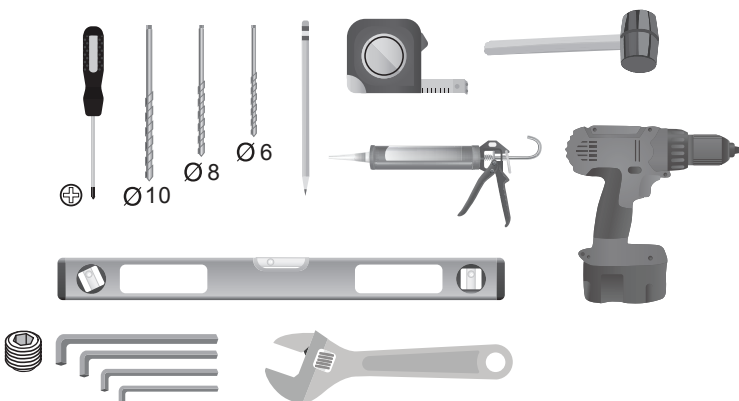
2M



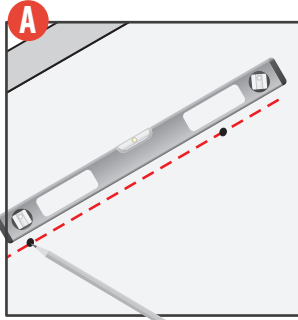
2.5 M



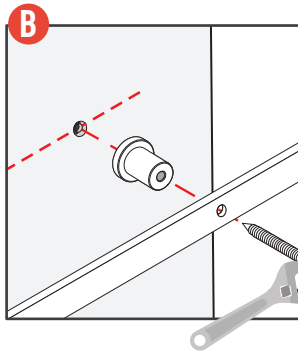
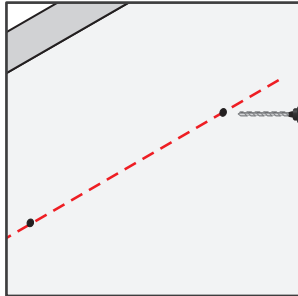
TOOLS NEEDED



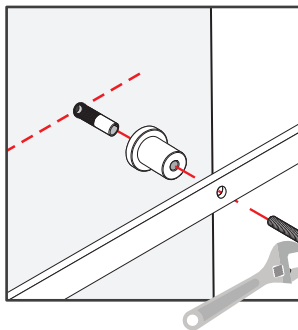
Step 1



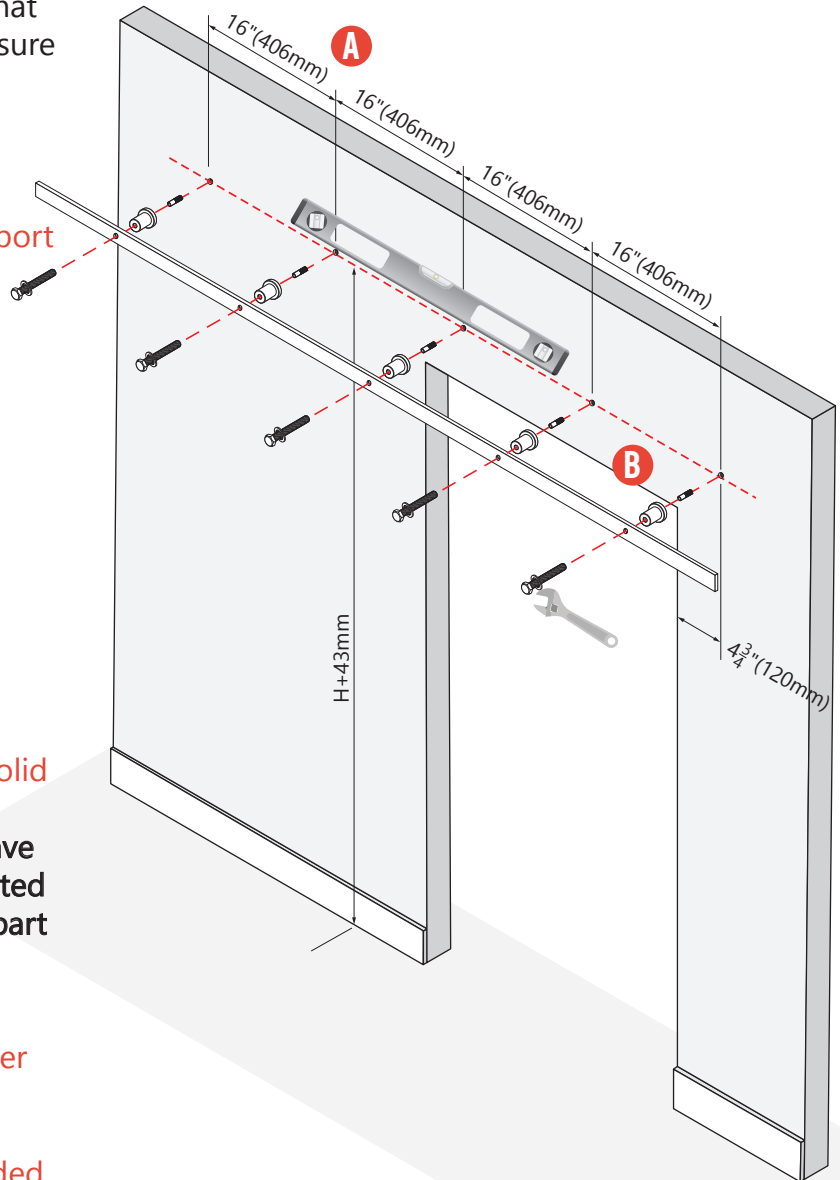
A.1
 Measure for position of wall mounts that are 16" apart. Ensure marks are level
 Track should be fastened to solid wood or steel blocking for support

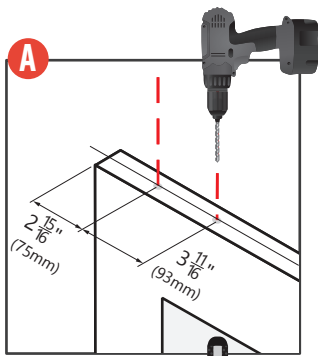


B.1
 Install the 5 wall mount brackets.
 ONLY install to solid blocking
 The 2.5 M will have 6 brackets mounted same distance apart

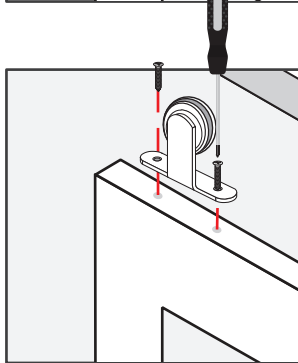


B.2
 If the field installer determines masonry/drywall anchors are needed ensure the anchors are appropriate for the application

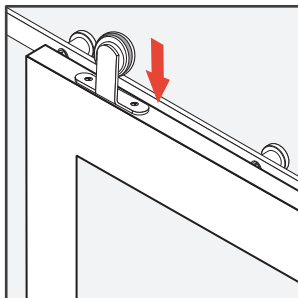


Step 2

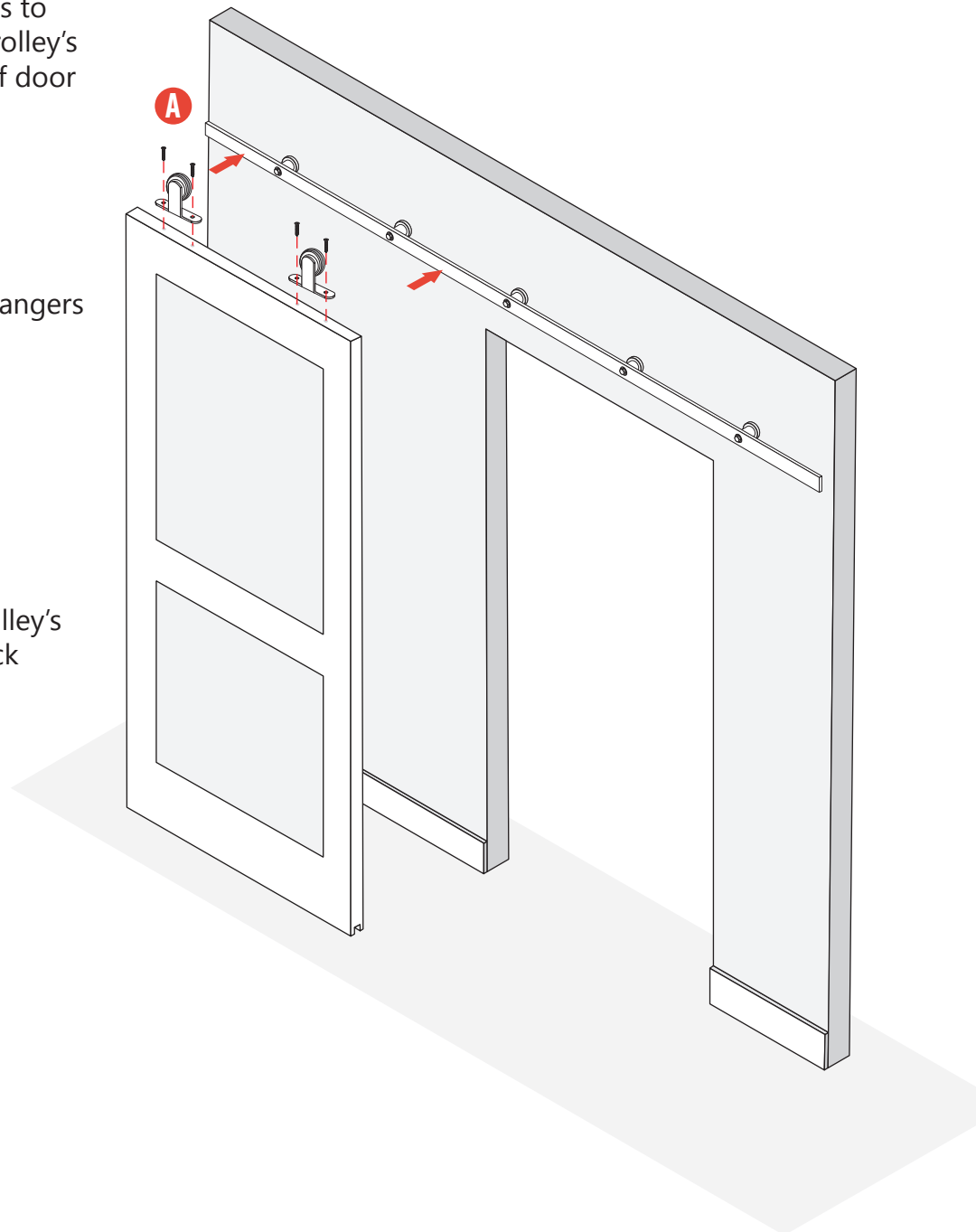
A.1
Measure and
drill holes to
mount trolley's
on top of door



A.2
Mount hangers

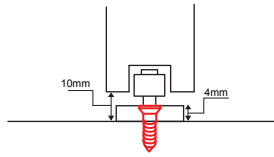


A.3
Hang trolley's
onto track

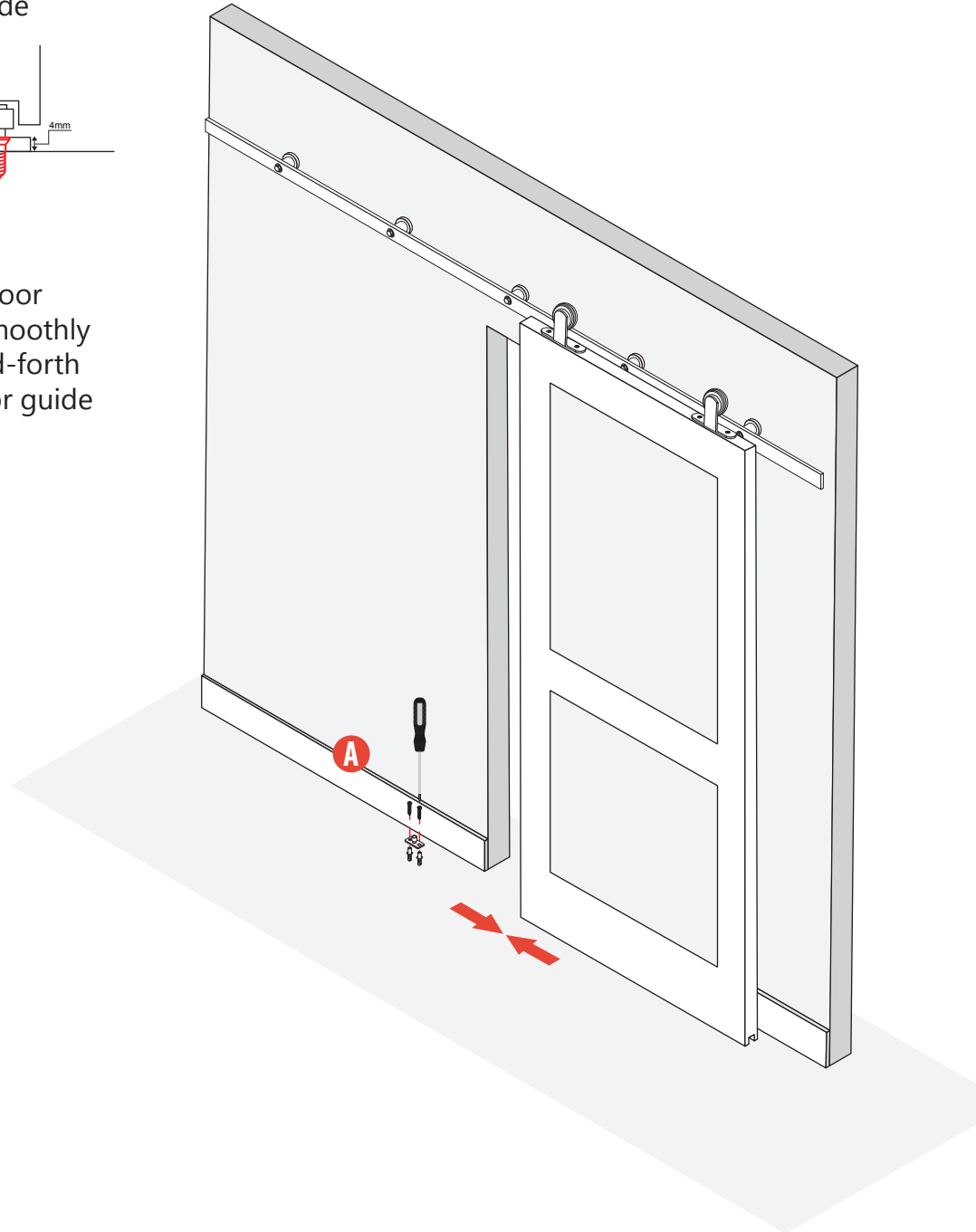
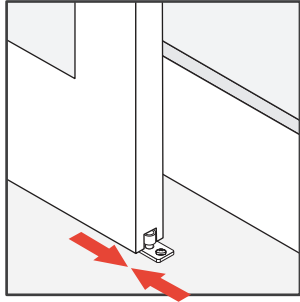
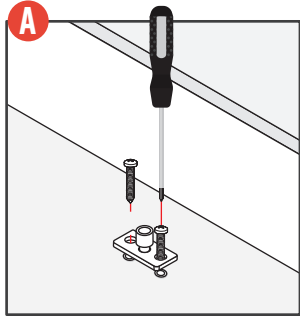


Step 3

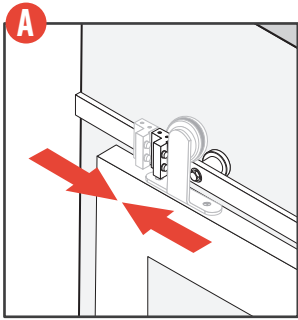
A.1
Position and mount
floor guide



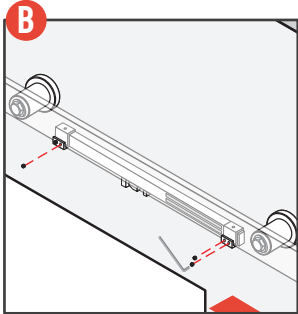
A.2
Ensure door
glides smoothly
back-and-forth
over floor guide



Step 4

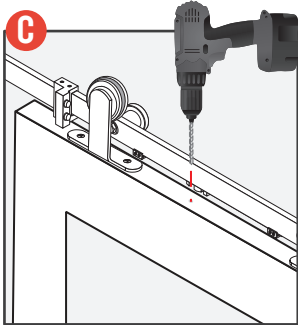


A.1
Install stoppers at both ends of track adjusting for door placement and tighten

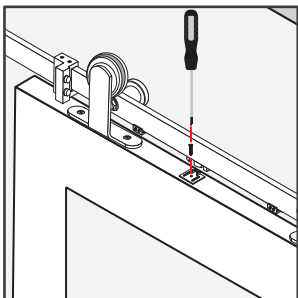


B.1
Move the door to the desired stopping and opening locations. Allow the soft close mechanism to reach the end of its travel.

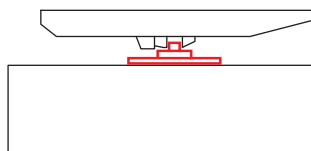
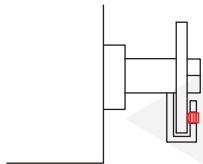
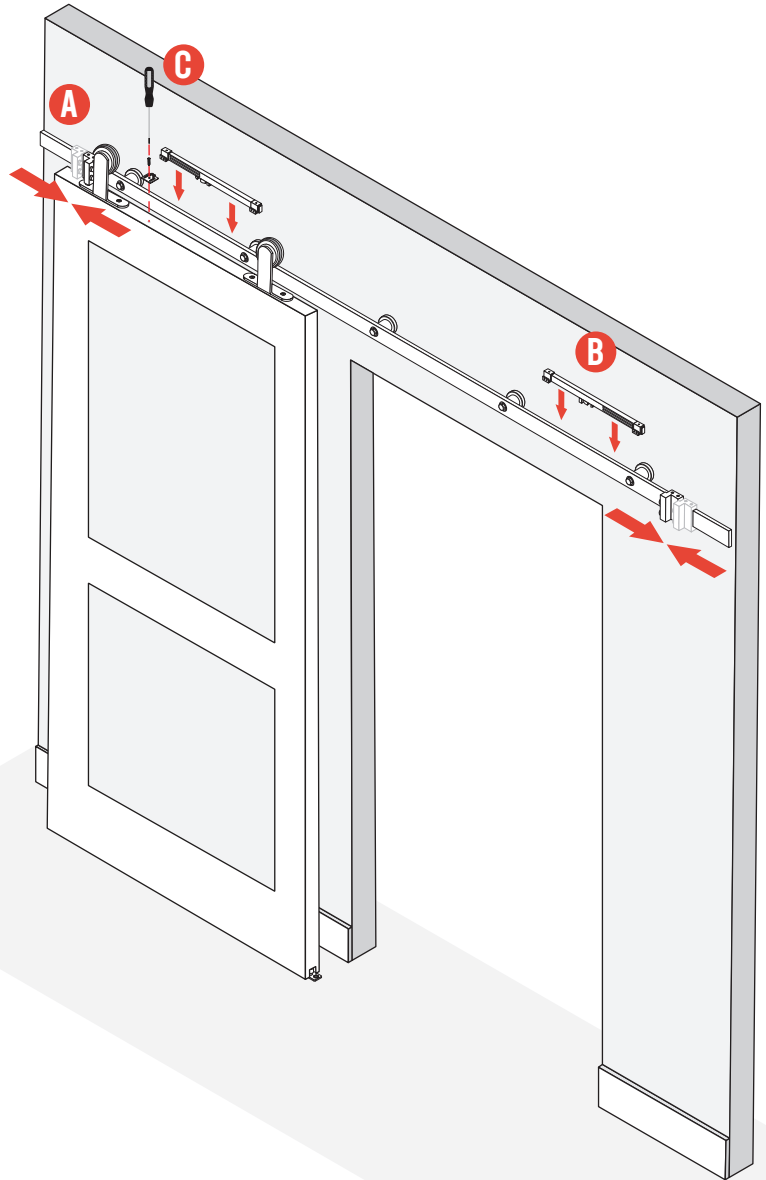
Position the soft close device and mount with hex screws. Repeat on the other side of the door to set the final stopping position in the opposite direction.



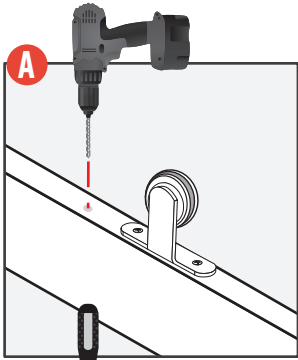
C.1
Mark and drill holes



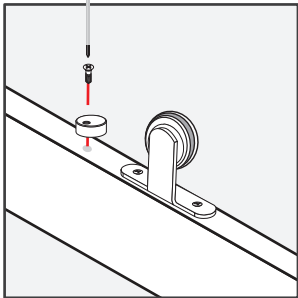
C.2
Mount actuator for soft close



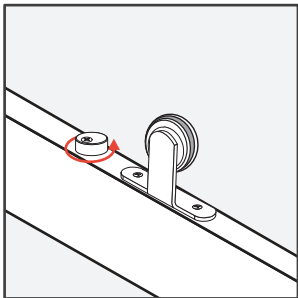
Step 5



A.1
Install anti-jumps within 3" of the hanger to be the most effective



A.2
Repeat installation next to the other hanger



A.3
Adjust as needed

