



ACSP4X4

FULL MORTISE SPRING HINGE

UL Listed



SPECIFICATIONS

MATERIAL

ANSI A8112 Steel - polished and plated
*Available in steel only

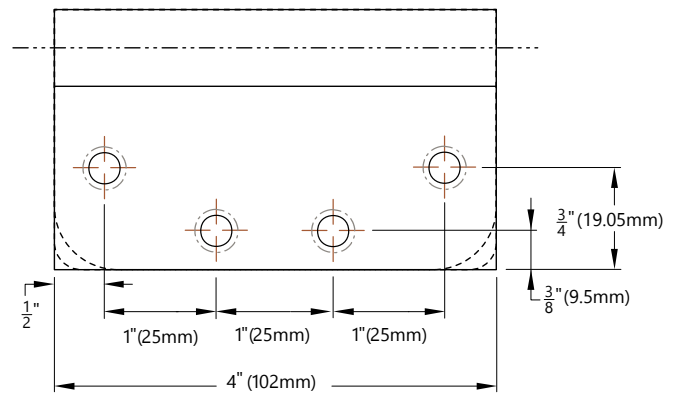
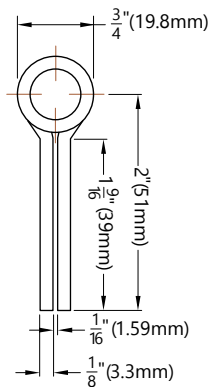
DESCRIPTION

For medium weight doors of average frequency
All hinges have template screw hole location for use on either wood or hollow metal doors and frames

AVAILABLE FINISHES

- US3 / 632 - Polish Brass
- US4 / 633 - Satin Brass
- US5 / 638 - Antique Brass
- US10B / 640 - Dark Bronze
- US14 / 645 - Polished Nickel
- US15 / 646 - Satin Nickel
- US19 / US1D / 693 - Black
- US26 / 651 - Polished Chrome
- US26D / 652 - Satin Chrome

DIMENSIONS



| SIZE | RECOMMENDED MAX DOOR WEIGHT (LBS) | SPRING HINGE | BUTT HINGE |
|-------------------------------------|-----------------------------------|--------------|------------|
| For use on 1 3/4" door, 1 3/8" door | | | |
| 4"X4" | 60 | 1 | 2 |
| | 85 | 2 | 1 |
| | 110 | 3 | - |

Architectural
Concepts

O (888) 248 2724
D (720) 259 5358
E info@archconceptsllc.com

18505 Longs Way
Parker, CO 80134

archconceptsllc.com

