



DC

Architectural Concepts / Door Collection

Interior Residential Jambs, Frames and Accessories Guide

Table of Contents

Traditional Jambs

Flat Jambs with Applied Stop	1
Double Rabbeted Jambs	2
Single Rabbeted Jambs	2
Traditional Jamb Specifications.....	3

Parts & Accessories

Hinges	4
Accessories.....	5
Pivots Concealed Hinges	6
Sill Options	7

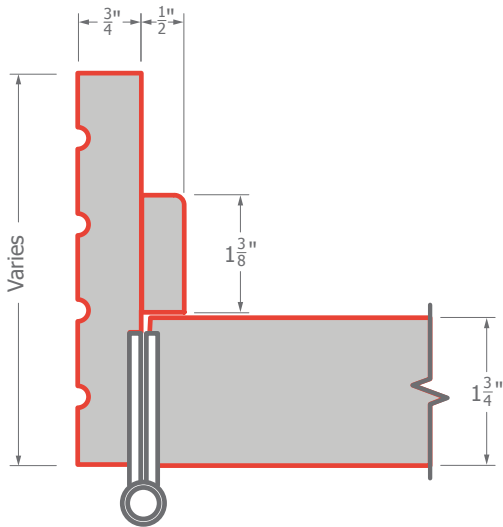
Jamb Assembly Specifications

Single Unit.....	8
House to Garage	9
Center Meeting Pair	10
T-Astragal Meeting Pair	11
KD Jambs.....	12

TRADITIONAL JAMBS

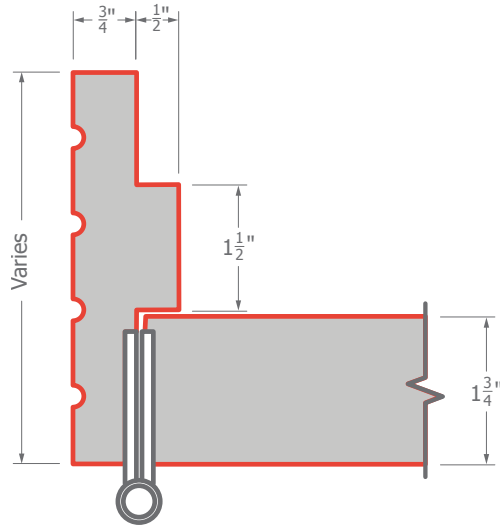
Flat Jambs with Applied Stop

Non-Rated & Fire Rated Jambs



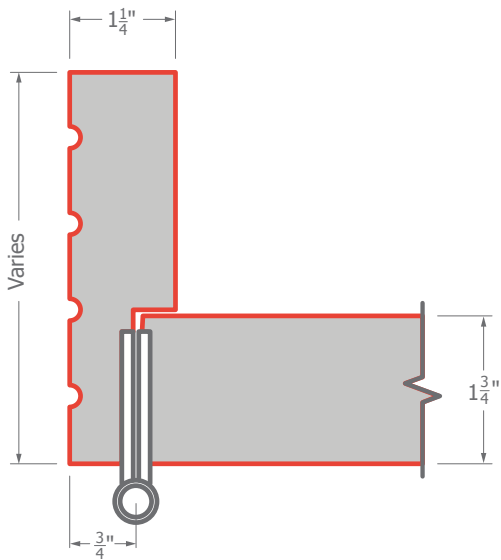
Double Rabbeted Jambs (Custom Order)

Non-Rated & Fire Rated Jambs



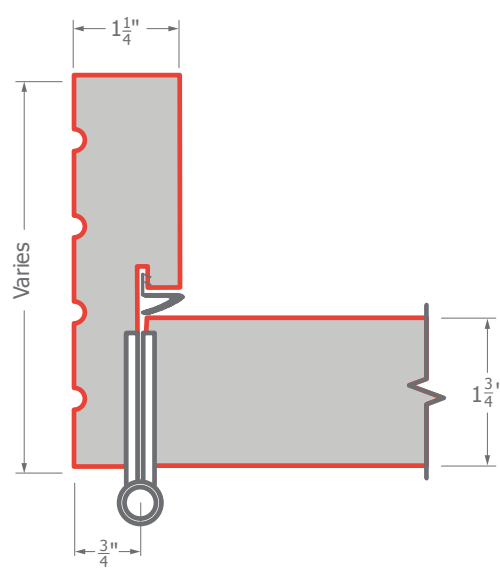
Single Rabbeted Jambs

Non-Rated Jambs



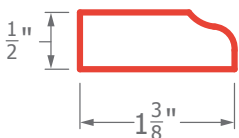
Single Rabbeted Jambs with Kerf

Fire-Rated Jambs

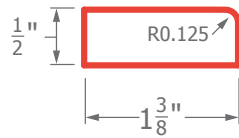


Stop Profile Options

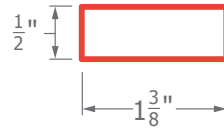
Stops available applied or loose



OG Stop



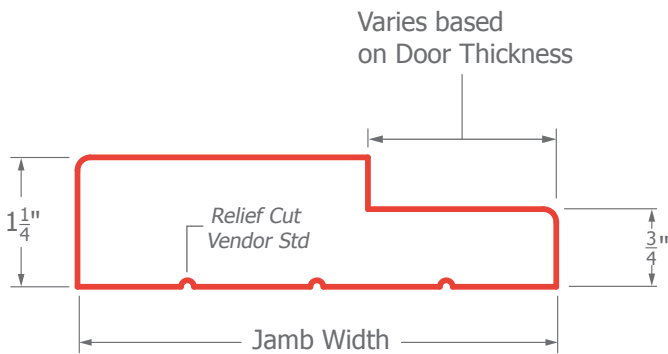
1 RE Stop



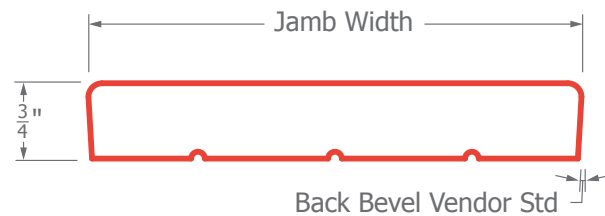
Square Stop

TRADITIONAL JAMBS

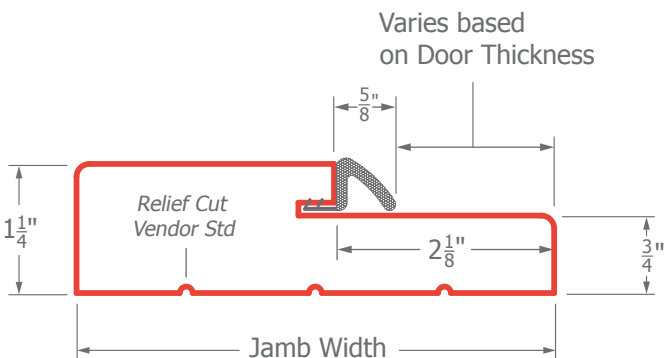
	Flat Jambs with Applied Stop	Double Rabbeted Jambs	Single Rabbeted Jambs
Jamb Thickness	3/4" or 1 1/8"		
Jamb Width	3 1/2" minimum up to 13"	3 1/2" minimum up to 12"	
Jamb Construction	Rabbeted legs with mitered stop	Rabbeted legs	
Door Thickness	1 3/8", 1 3/4", 2 1/4"		
Jamb Material	Primed FJ Poplar (standard) Primed Solid Poplar (special order)		Primed Composite (standard) Primed FJ Poplar and Primed Solid Poplar (special order)
Kerf for Drywall	Available upon request		
Weatherstripping	Not available	Kerfed for weatherstripping, available in Black, Bronze or White	
Sills	Not available	See options (page 7)	
Fire Rating	20, 45, 60, 90-minute		
Jamb Assembly	Knock down (KD) - Prefit and machined for hardware, tag and bundled (assembled on-site)		



Single Rabbeted Jamb



Flat Interior Jamb



Single Rabbeted Jamb w/Kerf



Kerf for Drywall

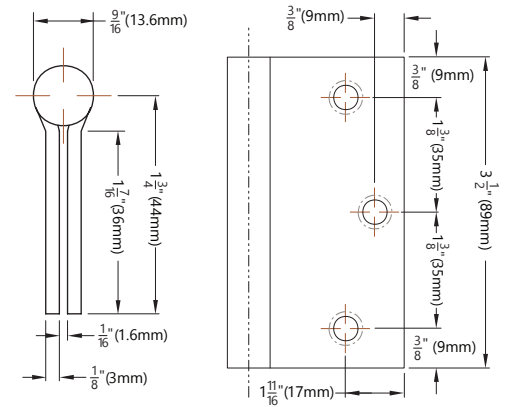
AC BALL BEARING HINGES

AC offers architectural grade, ball bearing hinges with square corners. UL Listed Spring Hinges are available in both 4" and 4-1/2" sizes for your garage to house door or any other fire rated opening.

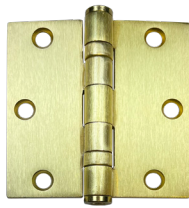
NFP80 HINGE RECOMMENDATIONS

Door Thickness	1 3/8"	1 3/4"	2 1/4"
Hinge Size	3 1/2" x 3 1/2"	4" x 4" or 4 1/2" x 4 1/2"	4 1/2" x 4 1/2"
Hinge Count			
Doors up to 7'0"	3	3	3
Doors 7'0" - 8'0"	4	4	4
Doors 8'0" - 10'0"	N/A	5	5

3 1/2" x 3 1/2"



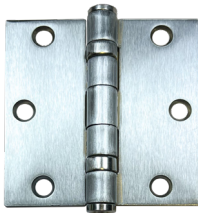
US3 / 632 - Polish Brass



US4 / 633 - Satin Brass



US5 / 638 - Antique Brass



US26D / 652 - Satin Chrome



US10B / 640 - Dark Bronze



US14 / 645 - Polished Nickel



US15 / 646 - Satin Nickel

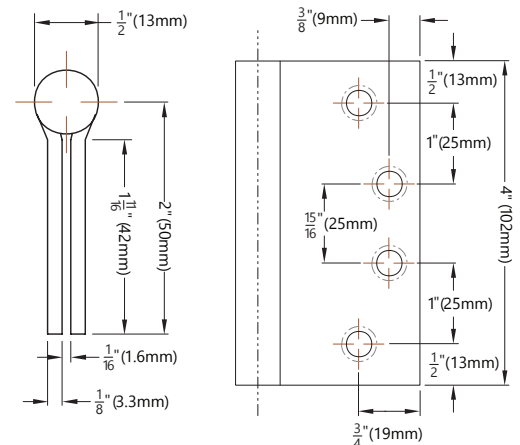


US19 / US1D / 693 - Black

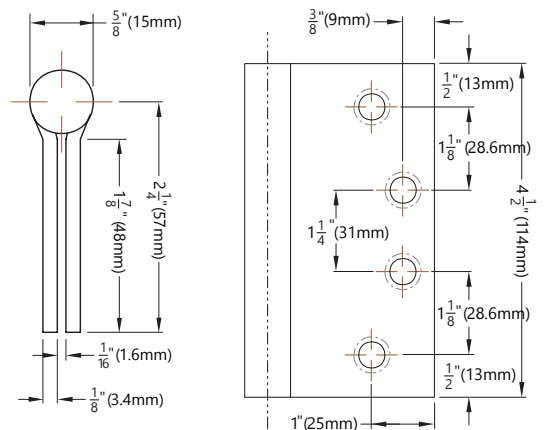


US26 / 651 - Polished Chrome

4" x 4"



4 1/2" x 4 1/2"



AC ACCESSORIES



HAGER® #318D Roller Latch

Drive in ball catch with strike for single or pairs. Adjustable for tension and clearances.

Material: Brass with nylon roller
Finishes: US3, US4, US10, US10B, US15A, US15A, US19, US26, US26D
Specifications: Roller faceplate 1" x 3-3/8" (25 mm x 86 mm)
1-1/8" x 2-3/4" (29 mm x 70 mm). Strike gauge .171" (4.3 mm)



PRECISION™ PLS 24PRO MAGNETIC CATCH

Completely concealed magnetic catch holds doors closed. Opens and closes smoothly and without noise. Magnetic strength is adjustable by use of included shims. Available on single doors and center-meet pairs.



HAGER® 281D SLIDE FLUSH BOLT / HAGER® 282D MANUAL FLUSH BOLT

Double action spring design provides automatic holding of bolt in projected or retracted position. Available on T-astragal pairs with option to mount on top of door, or top and bottom of door.

Material: Brass, bronze faceplate with steel components
Finishes: US3, US4, US5, US9, US10, US10B, US15, US15A, US19, US26, US26D
Specifications: Slide bolt length:* 6" Manual flush bolt lengths:* 12", 18", 24", 30", 36"

** Measured from top of door to center of flush bolt lever*

Pivota® Concealed Hinges

PIVOTA® DX stands out as a groundbreaking development. It's a unique concealed hinge program, featuring three-dimensional adjustability. The elegant DX design complements modern interior design by highlighting the hinge as a design object in itself. With sophisticated bearings and exceptional kinematic guidance, PIVOTA® DX hinges have set industry standards in performance and durability. Their design ensures that door leaf positioning can be adjusted independently of the hinge's kinematics, without any negative impact

	Pivota DX 61 3-D All Aluminum	Pivota DX 101 3-D Alum. body / Steel arms	Pivota DX 101 3-D All Steel
Weight Capacity (/pair)	100 kg (220 lbs)	120 kg (264 lbs)	160 kg (354 lbs)
Minimum Door Thickness	Minimum 1 3/4"		
Minimum Jamb Thickness			
Traditional Flat Jamb	Minimum 1 1/8"		
Traditional Single Rabbet Jamb	Minimum 1 1/8"		
Length of Hinge	180mm (7 3/32")	180mm (7 3/32")	180mm (7 3/32")
Width of Hinge	30mm (1 3/16")	30mm (1 3/16")	30mm (1 3/16")
Opening Angle	180 degrees		
Adjustability	Adjustable in three directions		



Aluminum F1



Dark Bronze



Polished Nickel



Medium Bronze



Matte Black



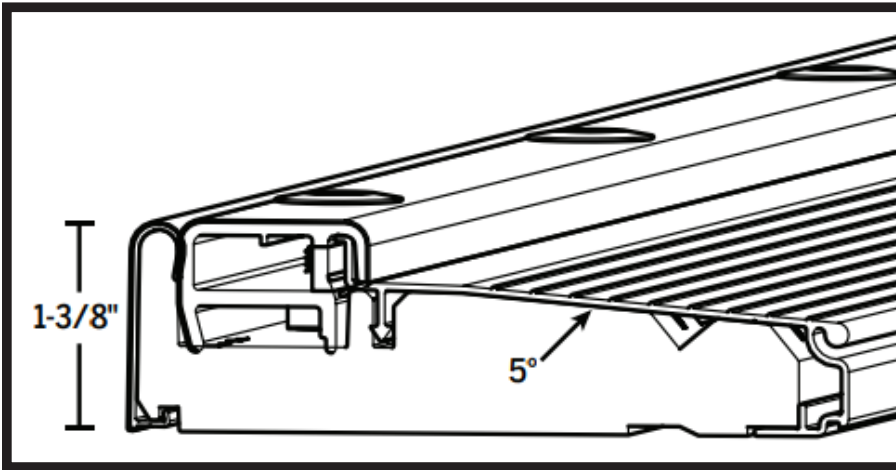
Satin Nickel



Satin Brass

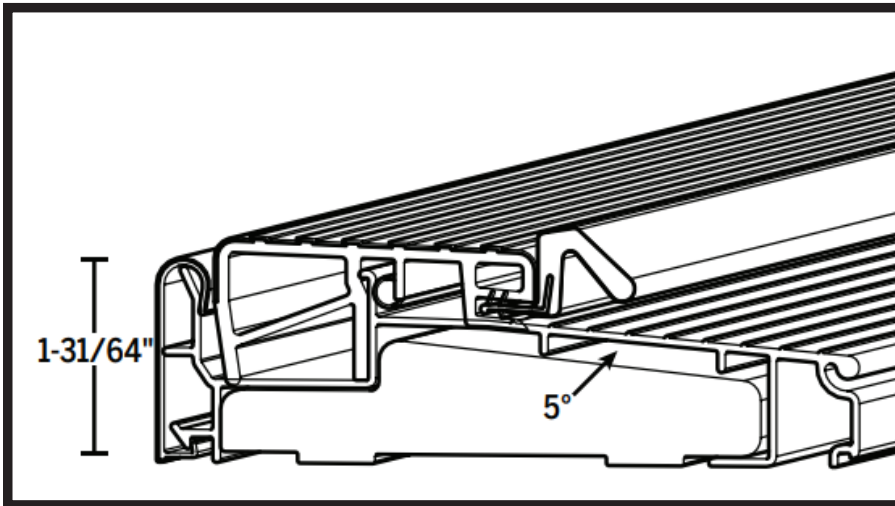
Sill Options

Non-Rated & Rated Sills



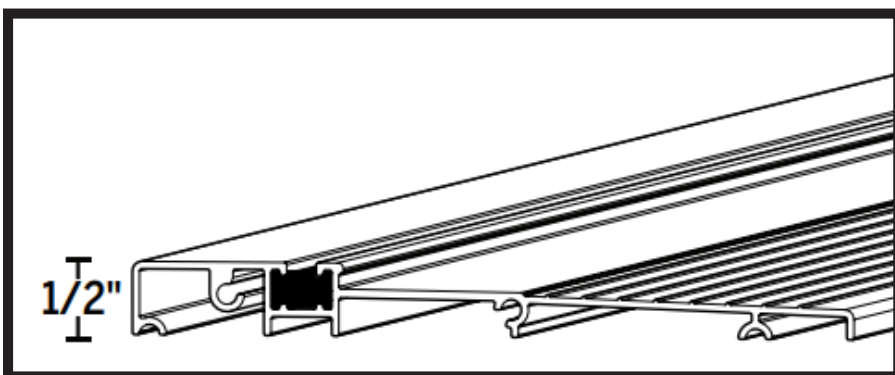
Inswing Rated and non rated Sills. We stock 4-9/16" and 6-9/16" in Bronze and Mill aluminum Finishes

Outswing Sills



Outswing Bumper Sill stock in 4-9/16" and 6-9/16" in Bronze and Mill aluminum Finishes

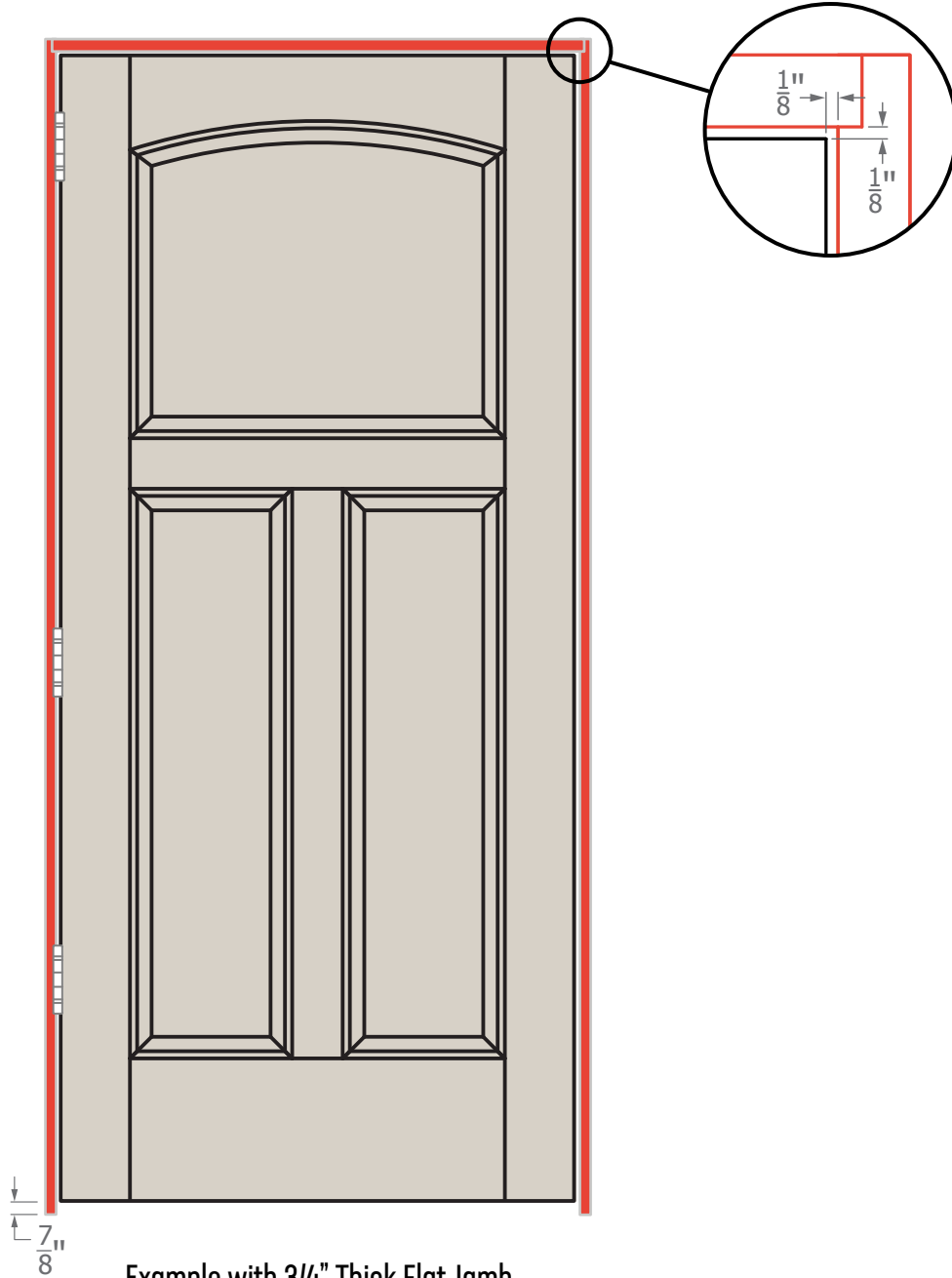
ADA Thermally Broken Sill



ADA Tile Backed Sill stock in 4-9/16" and 6-9/16" in Bronze and Mill aluminum Finishes

Jamb Assembly Specifications

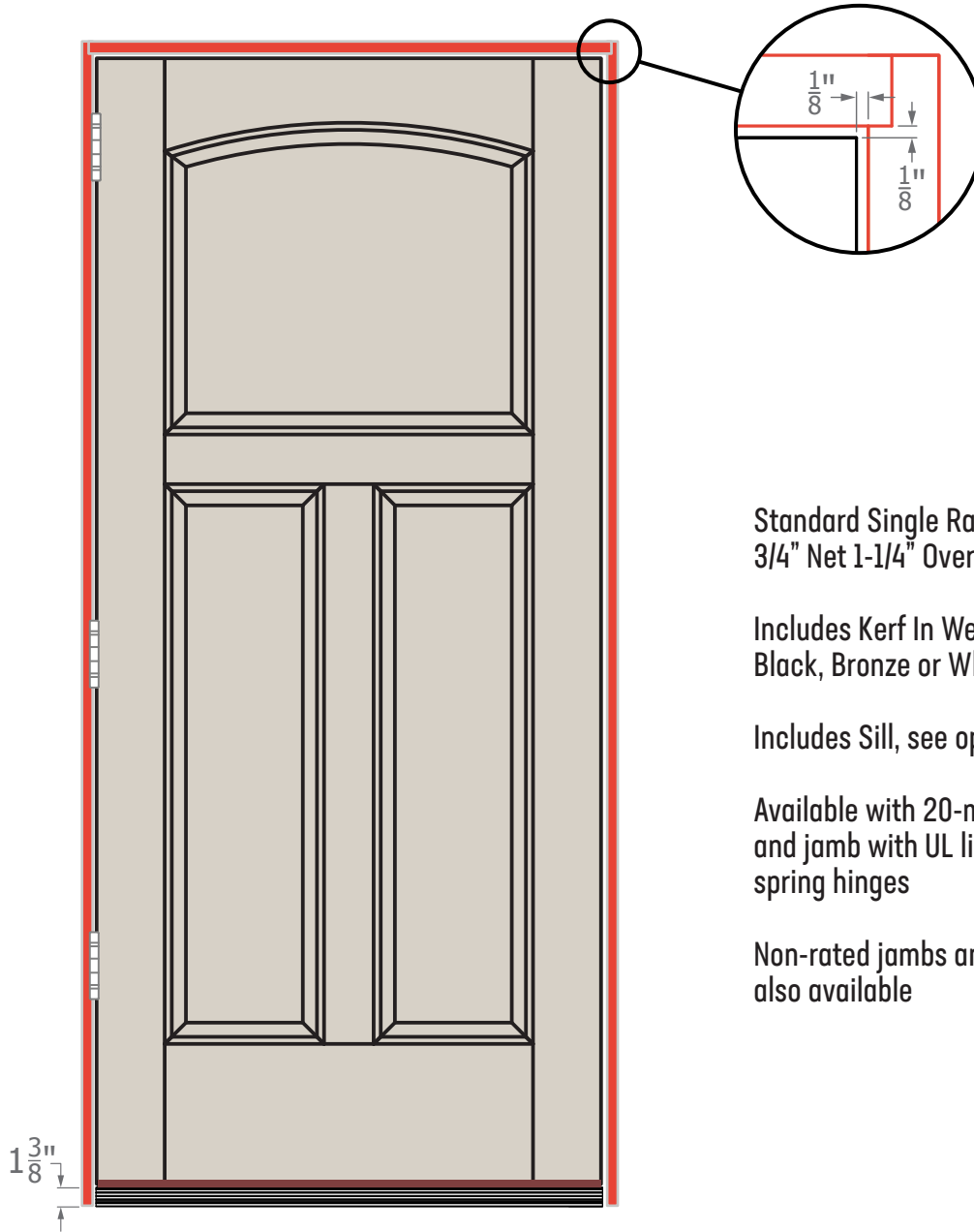
Single Unit



Example with $\frac{3}{4}$ " Thick Flat Jamb
Jamb Leg Extension is Adjustable ($\frac{7}{8}$ " Standard)

Jamb Assembly Specifications

House to Garage Single Unit



Standard Single Rabbet Jamb
3/4" Net 1-1/4" Overall Thickness

Includes Kerf In Weatherstripping
Black, Bronze or White available

Includes Sill, see options on Page 7

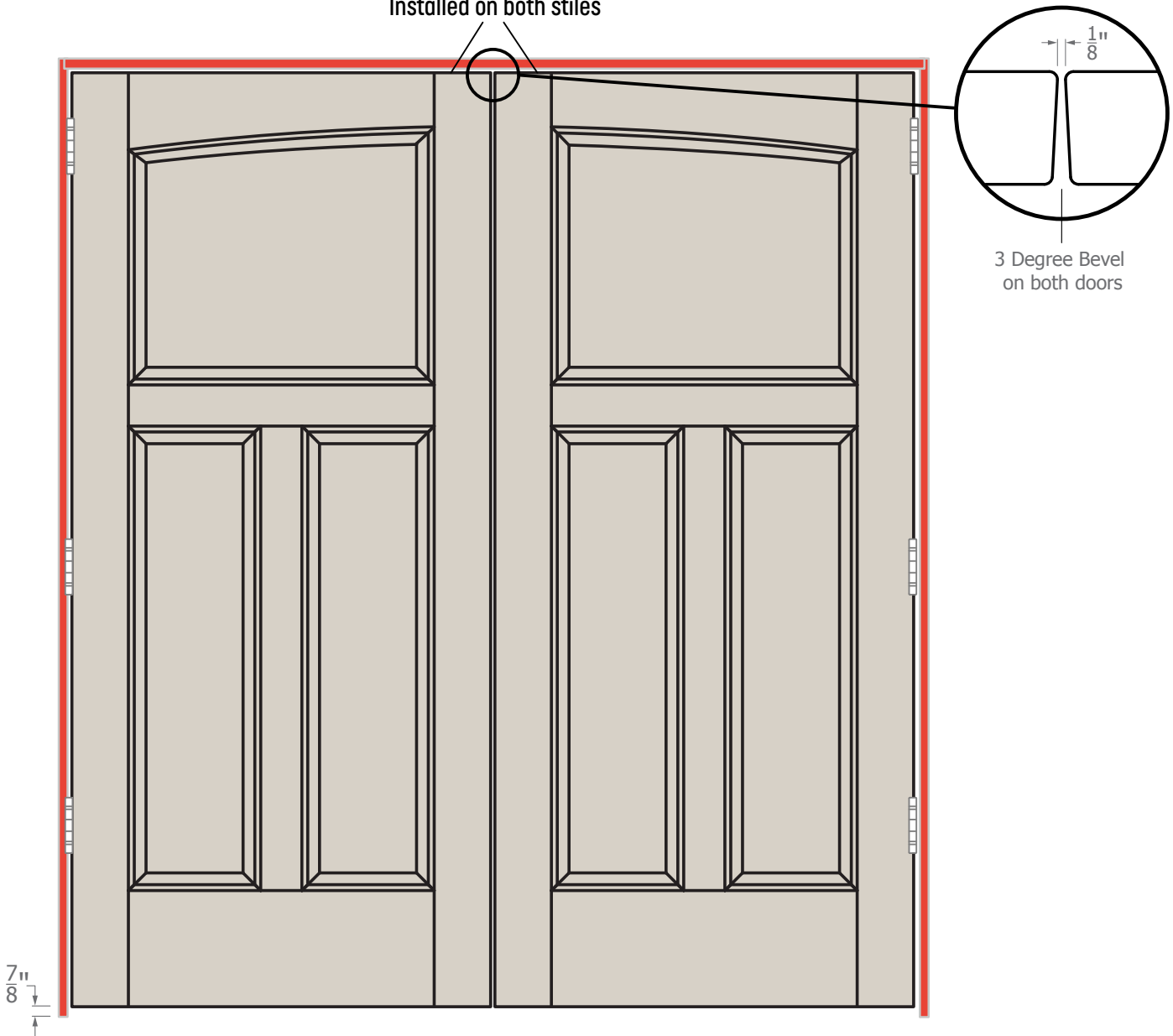
Available with 20-min rated door
and jamb with UL listed self closing
spring hinges

Non-rated jambs and doors are
also available

Jamb Assembly Specifications

Center Meet Pair

Roller or magnetic catch
Ball, roller or magnetic catch
Installed on both stiles



Example with 3/4" Thick Flat Jamb
Jamb Leg Extension is Adjustable (7/8" Standard)

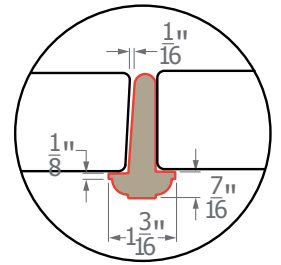
Jamb Assembly Specifications

Pair with T-Astragal

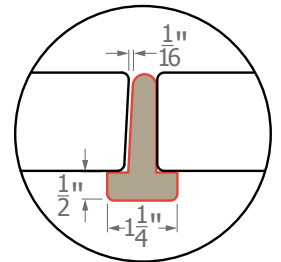
Includes top, or top and bottom flushbolt installed on inactive leaf



Dome T-Astragal



Flat T-Astragal



Example with 3/4" Thick Flat Jamb
Jamb Leg Extension is Adjustable (7/8" Standard)

KD Jambs Advantage

KD Doors and Frames are easier to spread on the jobsite

Carrying an MDF prehung up stairs and trying to set one by yourself is extremely difficult.

Every primed FJ Poplar jamb has a vacuum coated primer, which is the best in the industry.

Each Jamb is squared up and has mitered stop

Each Jamb is labeled by door mark, line number and description

Hinges are all predrilled

Headers at Dado are predrilled & Counter Sunk for three #10 x 1-1/4 screws (screws are included)

